

This Drawing, which contains proprietary information is the property of General Electric Company. It shall not be reproduced in any manner nor disclosed to third parties without written permission of General Electric Company

**HARMON PART NUMBERING**

HPN	TOTAL RESISTANCE IN OHMS	OHMS PER STEP	RATING IN WATTS	NUMBER OF TURNS	TYPE OF WIRE	DIMENSIONS	MOUNTING
-000	1.0	0.05	15	21	BARE NICHROME	SEE FIGURE 1	2 WOOD SCREWS
-001	1.5	0.075	15	21	BARE NICHROME	SEE FIGURE 1	2 WOOD SCREWS
-002	2.88	0.13	15	21	BARE NICHROME	SEE FIGURE 1	2 WOOD SCREWS
-101	5.69	0.133	15	42	BARE NICHROME	SEE FIGURE 1	2 WOOD SCREWS
-102	8.90	0.212	15	42	BARE NICHROME	SEE FIGURE 1	2 WOOD SCREWS
-103	11.21	0.267	15	42	BARE NICHROME	SEE FIGURE 1	2 WOOD SCREWS
-104	17.84	0.425	15	42	BARE NICHROME	SEE FIGURE 1	2 WOOD SCREWS

**DESCRIPTION:** ADJUSTABLE SLIDE RESISTANCE UNIT

**MARKING:**  
**ELECTRICAL SPECIFICATION:**  
SEE HPN TABLE

**MATERIAL SPECIFICATION:**  
BASE: PORCELAIN  
WIRE: SEE HPN TABLE

**MAXIMUM PHYSICAL DIMENSION:**  
SEE HPN TABLE AND FIGURE 1.

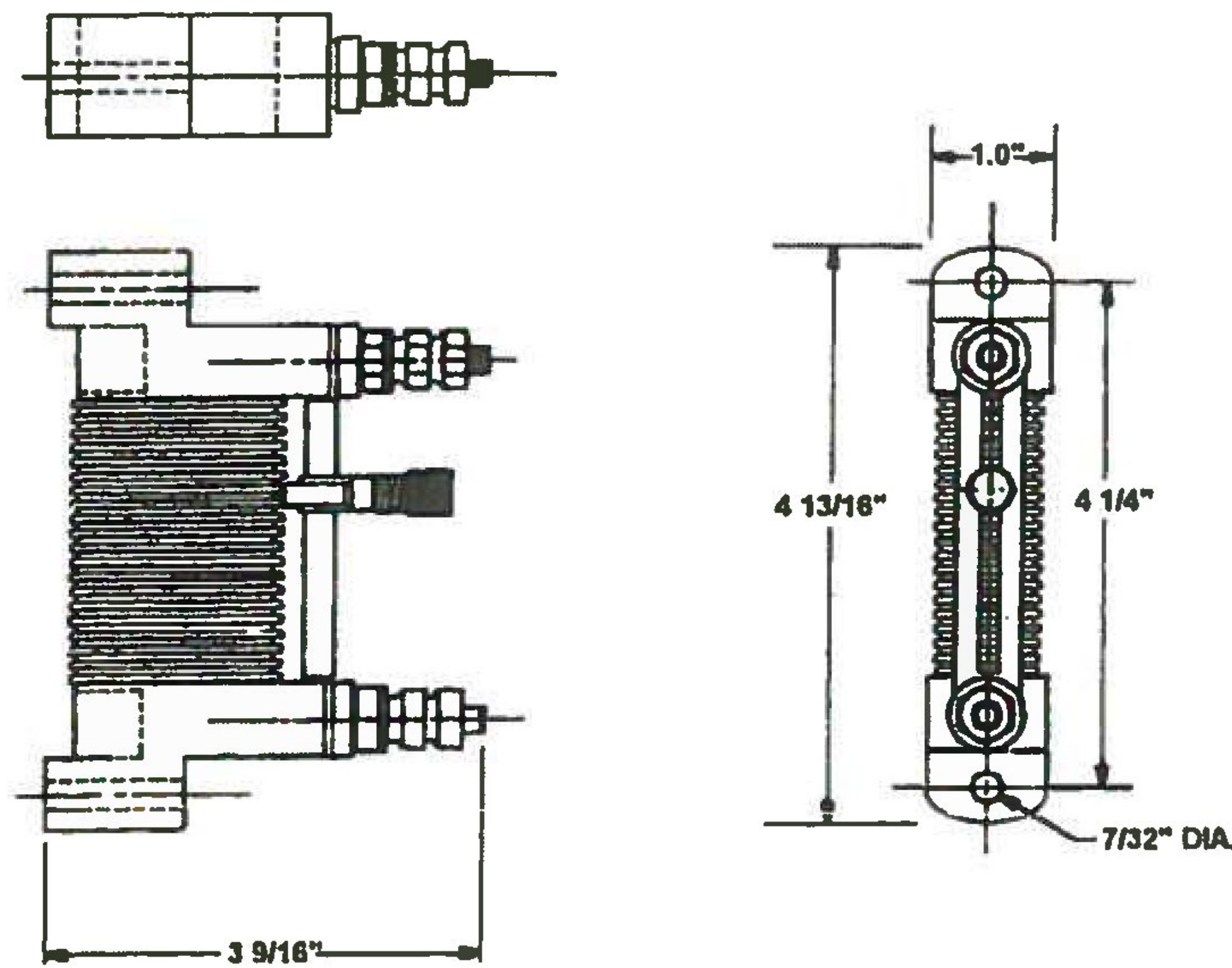


FIGURE 1: ADJUSTABLE SLIDE RESISTANCE UNIT

<b>TranSystems</b>		Vermont Agency of Transportation Lyndon STPG SGNL(48) Project
<input checked="" type="checkbox"/>	Approved	Fabrication/Installation may be undertaken
<input type="checkbox"/>	Approved as Corrected	Approval provided comments are incorporated
<input type="checkbox"/>	Correct, Revise and Resubmit	Fabrication/Installation MAY NOT be undertaken
<input type="checkbox"/>	No Action Taken	Review / approval does not relieve the contractor from complying with all the requirements of the contract

RECEIVING / INSPECTION				
<input checked="" type="checkbox"/>	Quantity-Verify From Material Traveler			
<input checked="" type="checkbox"/>	Value / Tolerance Markings			
<input checked="" type="checkbox"/>	Overall Appearance			
REVISION CONTROL				
REV	ECRN	DATE	BY	CHKD
A00	281-6203	12-28-04	ADH	ADH
ENGINEERING				
Approved	<i>A. Howery</i>		Date	12-1-04
Engineer	A. HOWERY			
Drawn By	A. HOWERY		Date	12-28-04
	Harmon Electronics Grain Valley, MO			
Title ADJUSTABLE SLIDE RESISTANCE UNITS				
Drawing No. 002238-XXX			Sheet 1 of 1	