

REFERENCE BILL OF MATERIAL FOR 007062-003 PLUGBOARD KIT
SEE FIGURE 5

| DIN | DESCRIPTION | QUANTITY |
|-----|---|----------------|
| 1 | B1 PLUGBOARD | 1 |
| 2 | RELAY POSTS, 1/4-28 THREADS | 2 |
| 3 | MOUNTING SCREWS, 14-28 THREADS X 1 1/4" | 2 |
| 4 | THIN WASHERS | 2 |
| 5 | SPLIT WASHERS, 1/4" COPPER COLOR | 2 |
| 6 | HEX NUT, 1/4-28 THREADS, SS | 2 |
| 7 | HEX NUTS, 1/4-28 THREADS, NYLON | 2 |
| 8 | THIN WASHERS | 2 |
| 9 | RELAY NUTS, AAR KNURLED | 2 |
| 10 | SUPER FLAT NUTS, AAR | 2 |
| 11 | E-POST, AAR | 1 |
| 12 | CROWN NUTS, AAR | 2 |
| 13 | FLAT HEX NUT, AAR | 1 |
| 14 | 1/4" FLAT WASHERS, AAR | 4 (ONLY USE 3) |
| 15 | SLOTTED NUT, 3-E, AAR | 1 |
| 16 | 3E-CLIP, SOLDER TYPE | 1 |
| 17 | 3-E WASHER, PLASTIC | 1 |
| 18 | 1/4" FLAT WASHER | 2 |

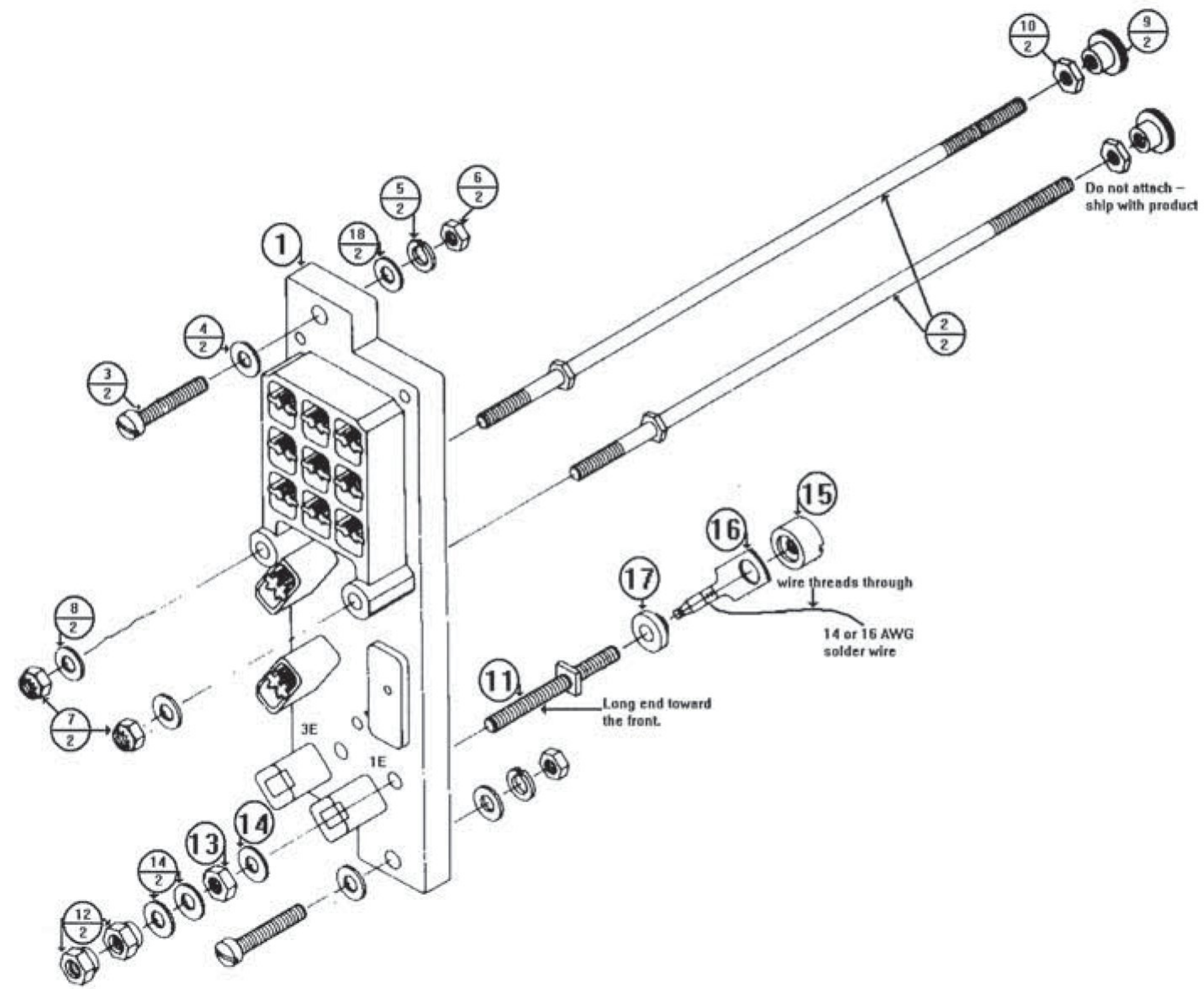


FIGURE 5: B1 RELAY PLUGBOARD ASSEMBLY

REV
LKO



GE Transportation Systems
Global Signaling

Argo and Dillingham Rds, Grain Valley, MO 64029

Title RLY GRS TYPE B VITAL PLUG-IN

Drawing No.
007062-XXX

Sheet
4 of 4