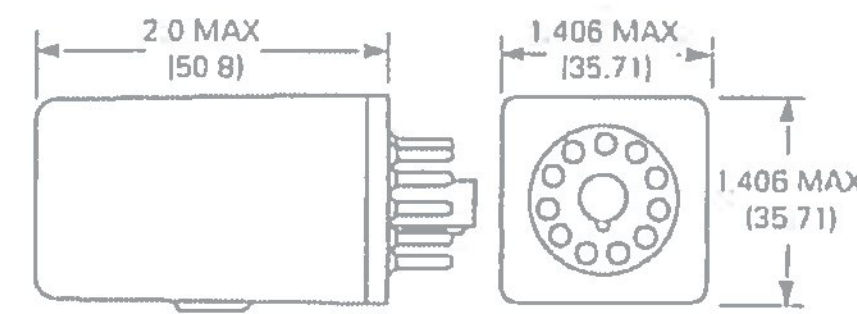


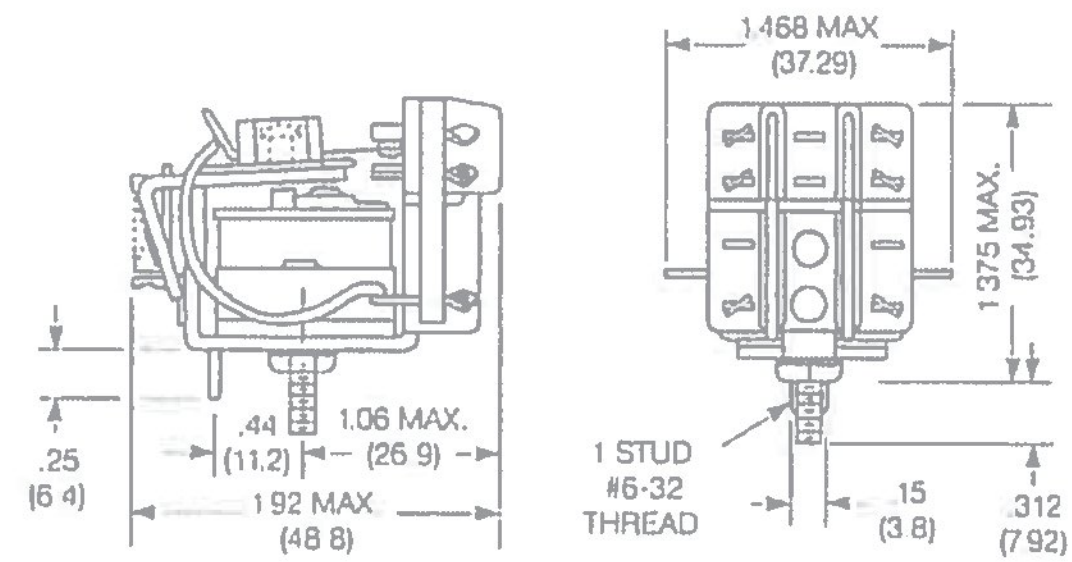
KRPA Series Panel Plug-in Relay (Continued)

Dimensions

KRPA

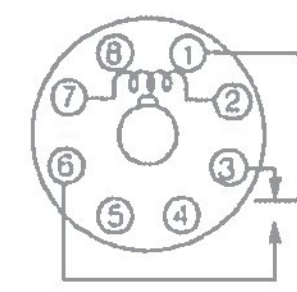


KA

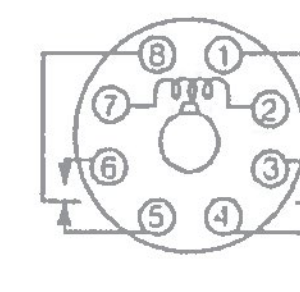


Terminal assignment

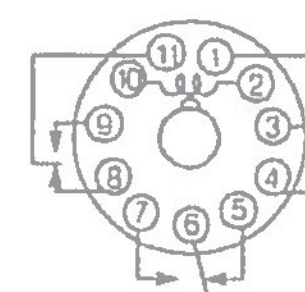
KRPA
1 form C



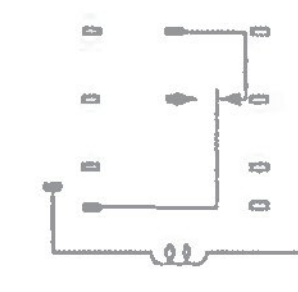
KRPA
2 form C



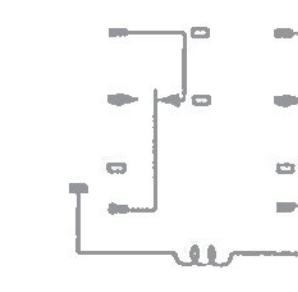
KRPA
3 form C



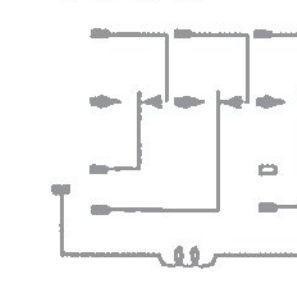
KA
1 form C



KA
2 form C



KA
3 form C



Product code structure

Typical product code **KRPA -5 A Y -120**

Type	KRPA Enclosed relay with octal-style plug	KA Open style relay with solder terminals
Contact arrangement and rating	5 1 form C (CO)	11 2 form C (CO)
	14 3 form C (CO)	
Coil input	A AC, 50/60Hz	D DC
Contact material and indicator lamp option	Y Ag, no indicator lamp	G AgCdO, no indicator lamp
	N AgCdO, with indicator (Code N only available with relay type KRPA)	
Options	Leave blank no additional options	P Push to test button
	F Au flashed contacts	
	(Options F and P only available with relay type KRPA)	
Coil voltage	Coil code: please refer to coil versions table	