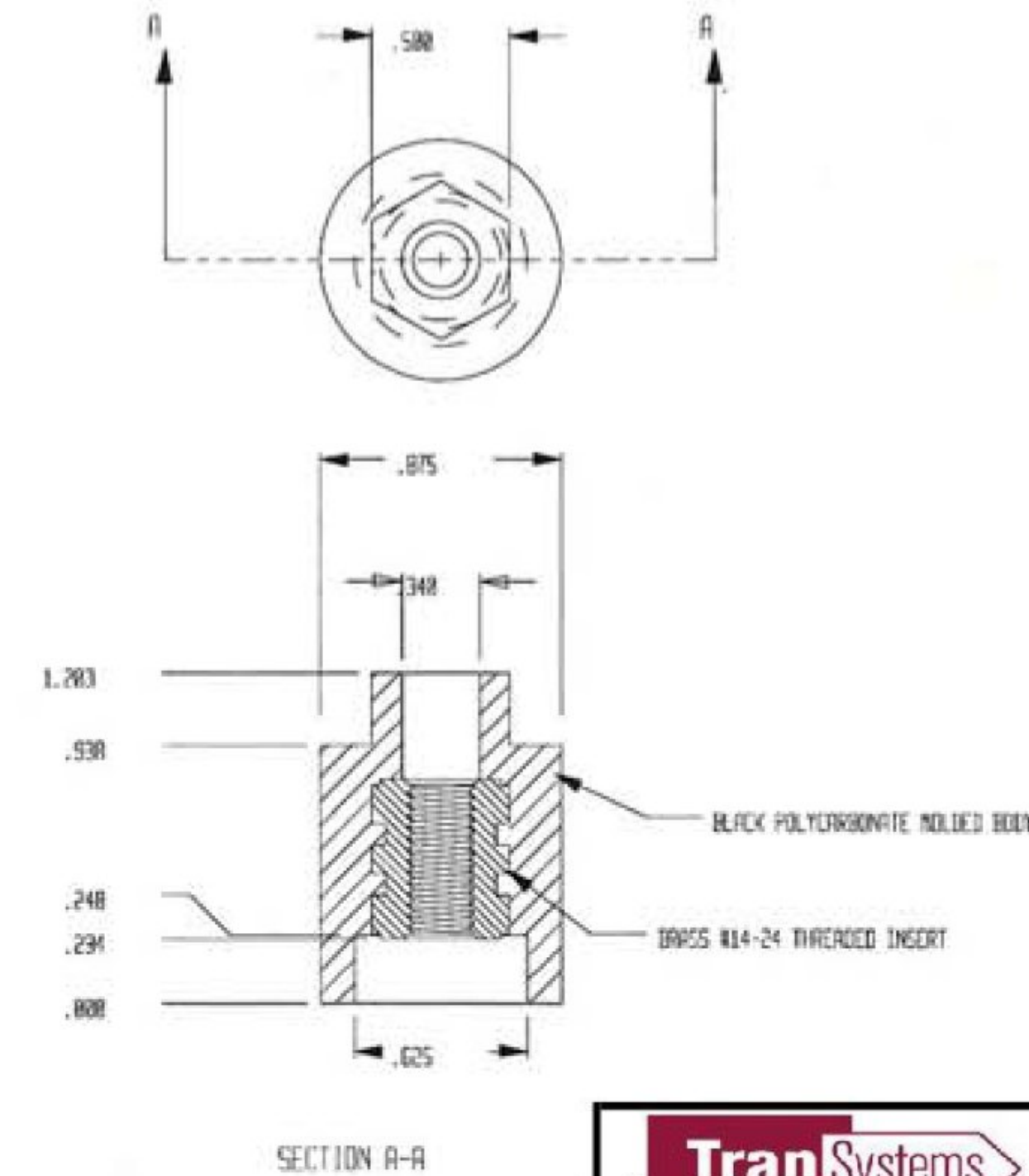
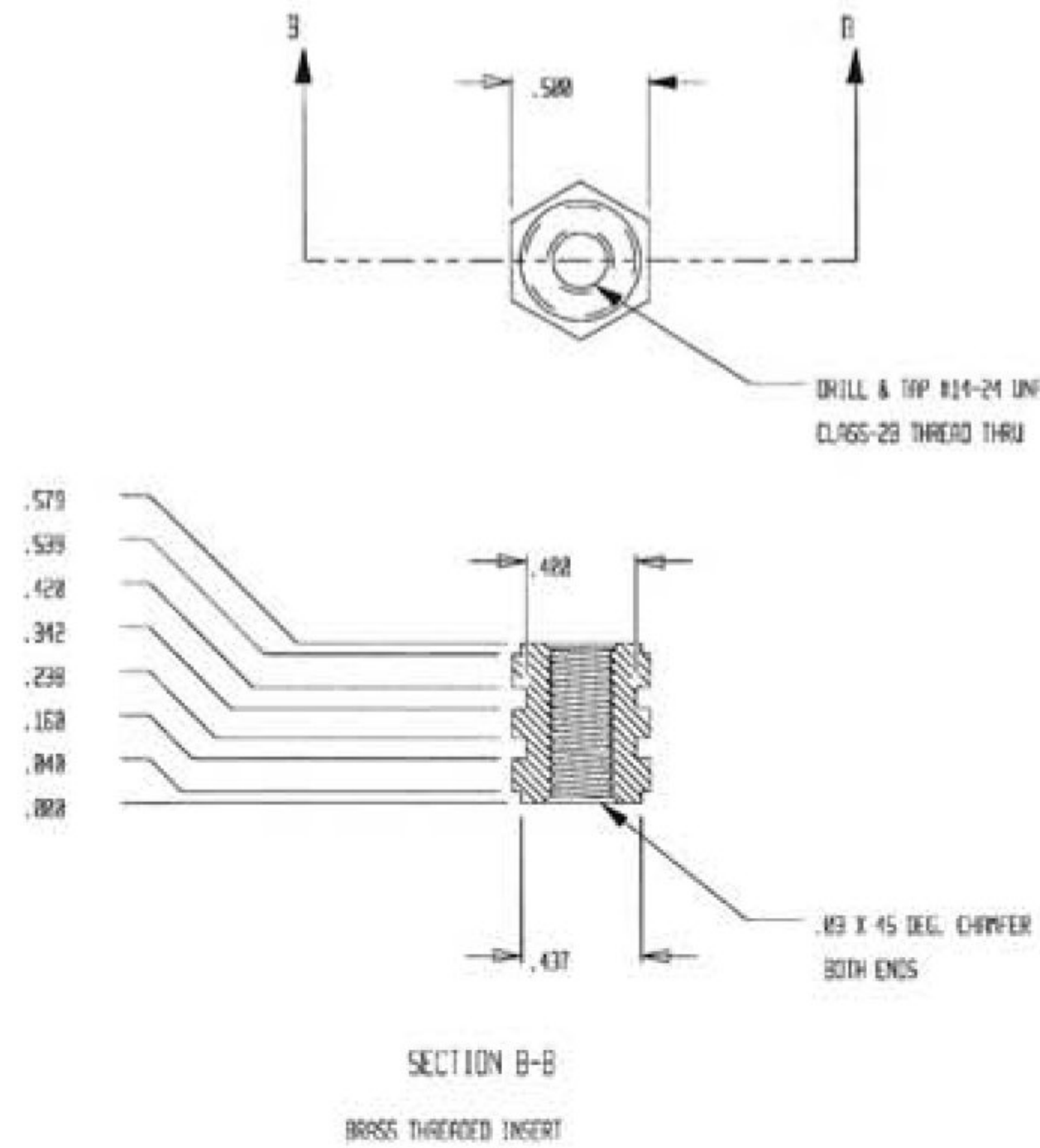


This Drawing, which contains proprietary information is the property of General Electric Company. It shall not be reproduced in any manner nor disclosed to third parties without written permission of General Electric Company



NOTE:
1. MANUFACTURED BY RUED PRODUCTS, BLUE SPRINGS, MO.

BRASS INSERT NOTES:
1. MATERIAL: FREE CUTTING BRASS, HALF HARD TEMPER (H-82)
HW 3685-429 BR
2. FINISH: BRIGHT NICKEL (.0004 TO .0005 IN THICK)
PER ASTM B456-71 1979.

MFG: FISCHER SPECIAL CO.

CORNELL MFG. CO.
P/N 1424-32187
OR EQUIVALENT

TranSystems		Vermont Agency of Transportation Lyndon STPG SGNL(48) Project	
<input checked="" type="checkbox"/>	Approved	Fabrication/Installation may be undertaken	
<input type="checkbox"/>	Approved as Corrected	Approval provided comments are incorporated	
<input type="checkbox"/>	Correct, Revise and Resubmit	Fabrication/Installation MAY NOT be undertaken	
<input type="checkbox"/>	No Action Taken	Review / approval does not relieve the contractor from complying with all the requirements of the contract	

ADD	980831820	12/00	CRG	PEB	ENGINEER	P. BROWN	SCALE	1:1
REV	980830551	10/00	MTK	PEB	DRAWN BY	P. BROWN	DATE	5/95
REV	98015067	3/98	MTK	PEB	MATERIAL		FINISH	
REV	250-6589	5/95	PEB	PEB	TOLERANCE UNLESS NOTED			
REV					DECIMALS	FRACTIONS	ANGLES	
					.XX : .015	1/16	1/16	
					.XXX : .005			
					FILE TYPE	DRAWING NO.	SHEET	SIZE
					CADKEY	013985-200	1 OF 1	B

HARMON INDUSTRIES, INC.
ARGO & BILLINGHAM ROADS
GRAIN VALLEY, MO. 64029
(800) 825-3178

TITLE:
HARMON INSULATED NUT