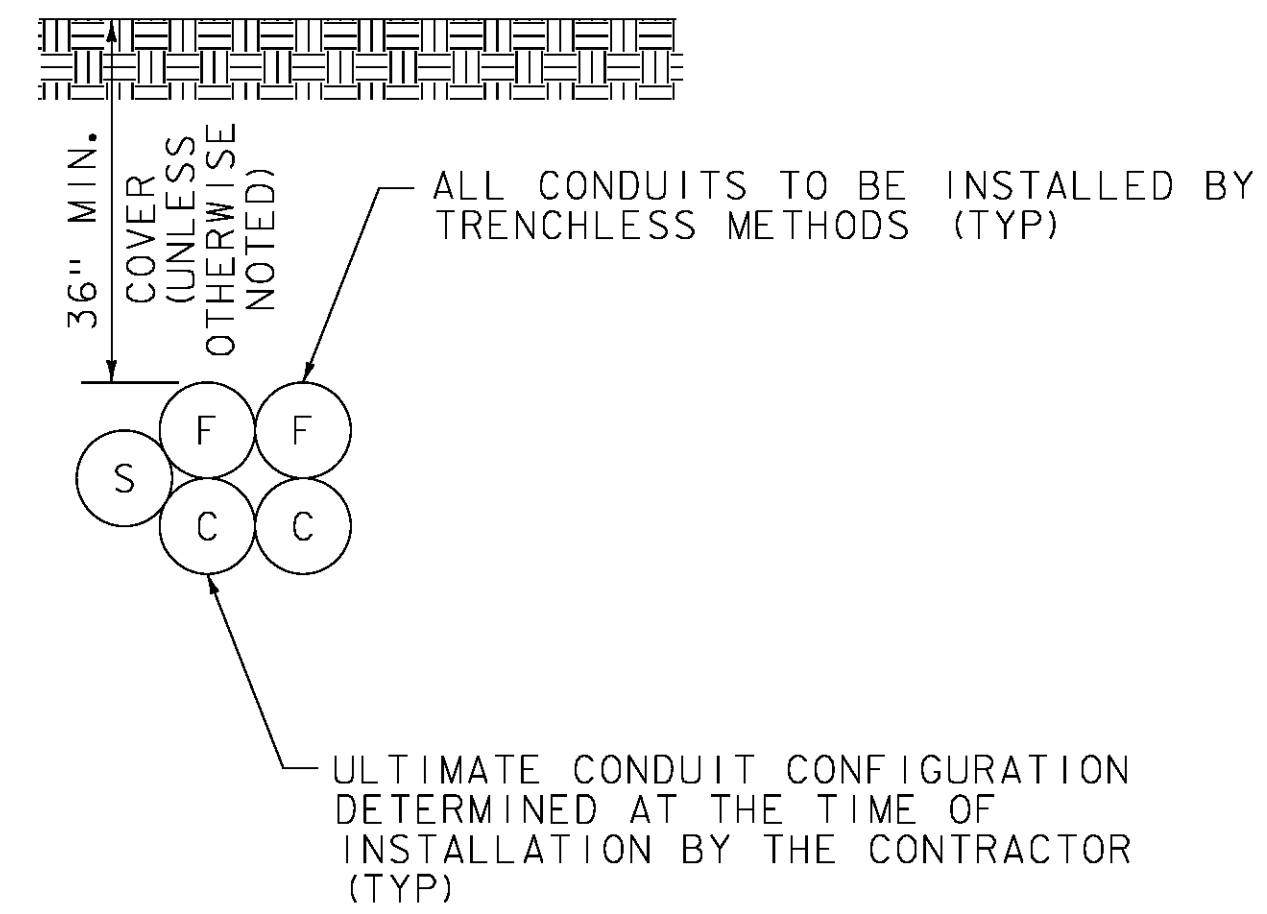


LEGEND	REQUIRED CONDUITS PER UTILITY COMPANY	PAID AS:
S	SOVERNET - (1) HDPE (DR-11) @ 4"	ITEM 900.640 S.P. (HORIZONTAL DIRECTIONAL DRILLING) (4") (HDPE)
C	COMCAST - (2) HDPE (DR-11) @ 4"	ITEM 900.640 S.P. (HORIZONTAL DIRECTIONAL DRILLING) (4") (HDPE)
F	FAIRPOINT - (2) HDPE (DR-11) @ 4"	ITEM 900.640 S.P. (HORIZONTAL DIRECTIONAL DRILLING) (4") (HDPE)

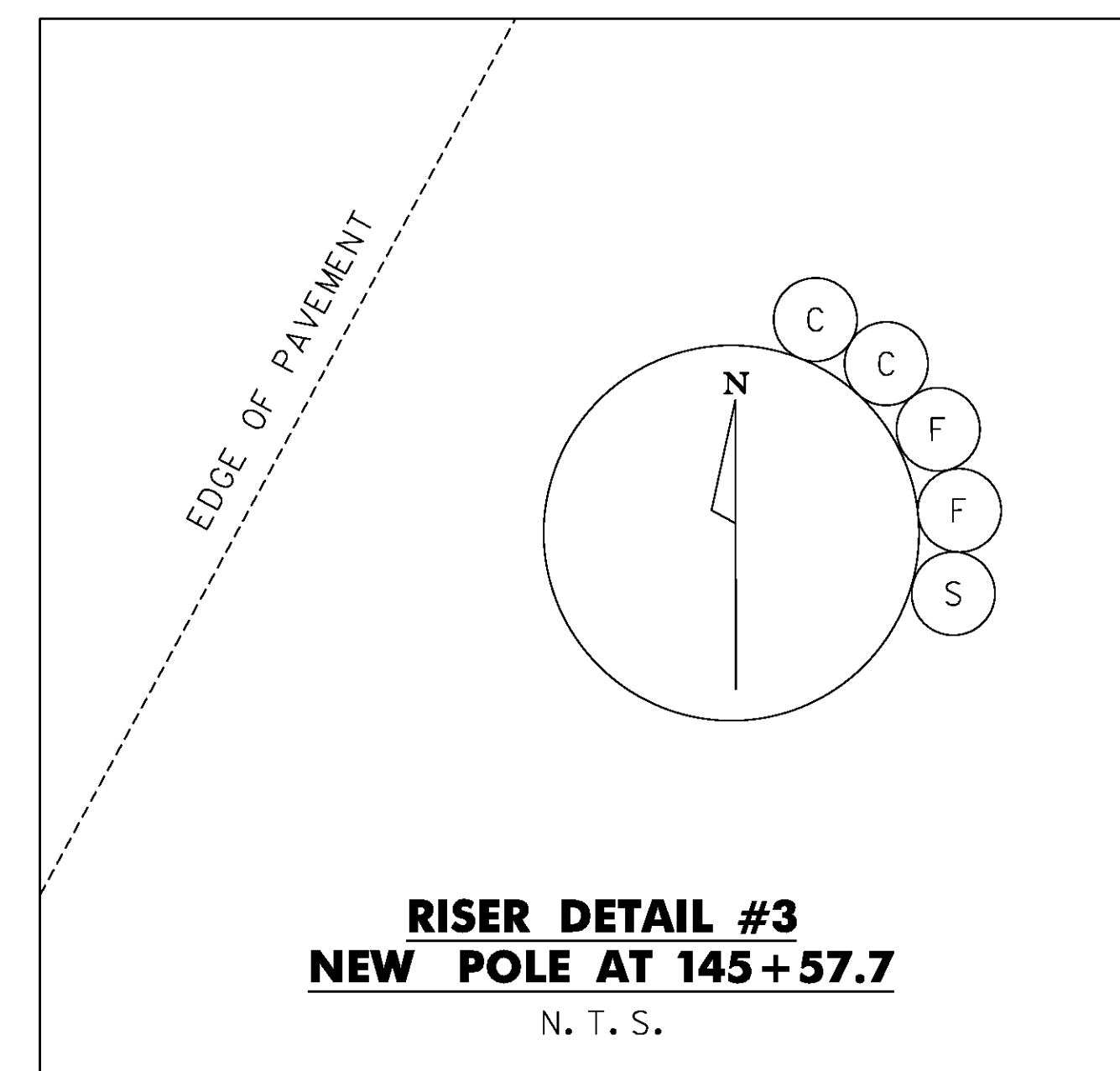
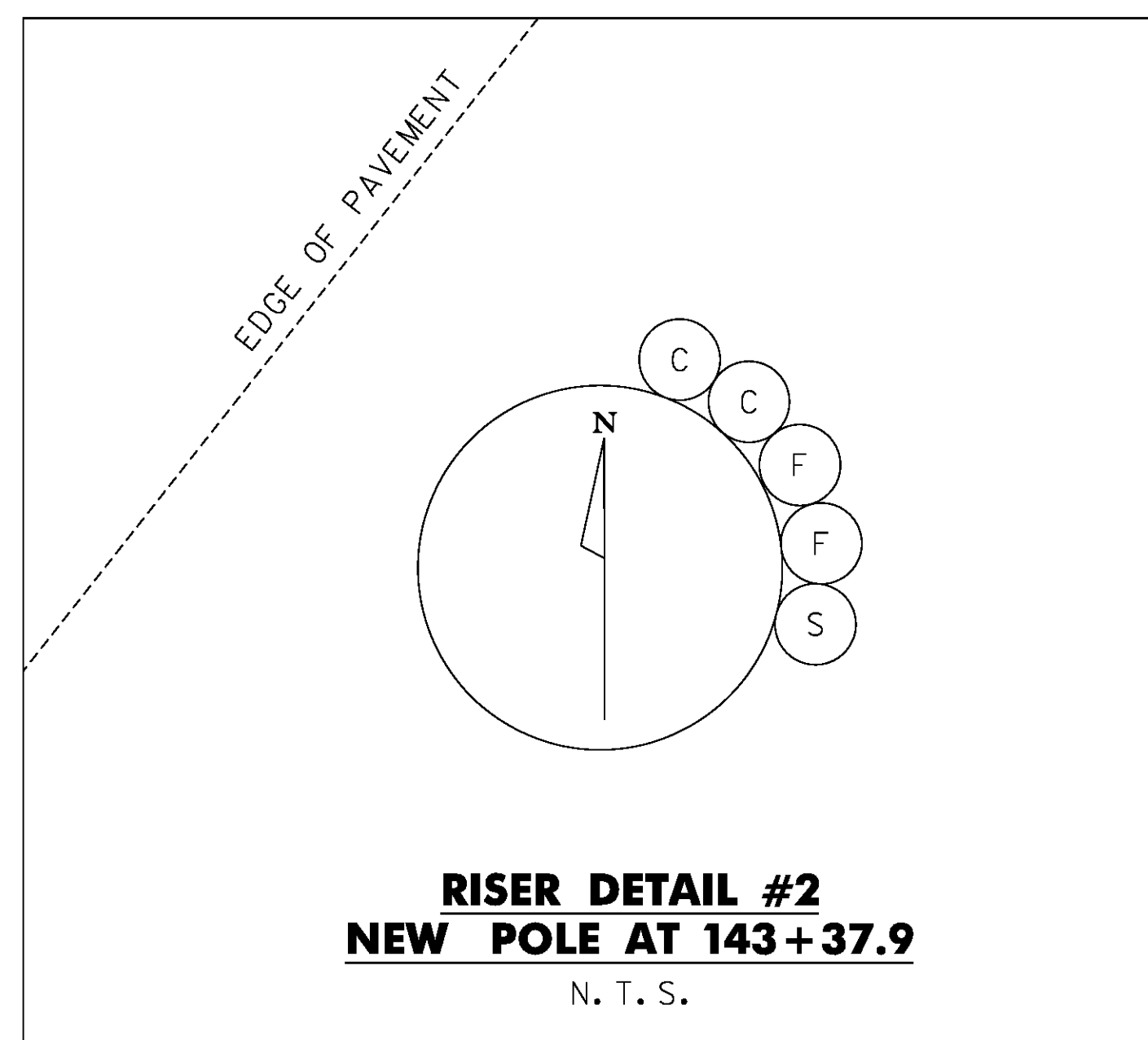


**UTILITY DUCT LAYOUT
TYPICAL SECTION A-A**

N. T. S.
143+37.9, RT - 145+57.7, RT

NOTES:

1. CONDUIT SWEEPS SHALL NOT BE CONSTRUCTED PRIOR TO THE UTILITY POLE INSTALLATIONS.
2. ALL BRACKETS OR OTHER MATERIALS NECESSARY TO SECURE THE CONDUITS TO THE POLES SHALL BE INCLUDED IN THE UNIT PRICES BID FOR THE DIRECTIONAL DRILLING PAY ITEMS.
3. CONDUIT CONNECTIONS SHOWN ON THIS SHEET MAY NOT ADHERE TO ALL UTILITY COMPANY SPECIFICATIONS. THE CONTRACTOR SHALL WORK CLOSELY WITH THE UTILITY COMPANIES TO OBTAIN ALL CURRENT SPECIFICATIONS AND INSPECTION REQUIREMENTS.



PROJECT NAME:	EAST MONTPELIER
PROJECT NUMBER:	BF EWP2(1)
FILE NAME: 28a_Utility Details - ER.dgn	PLOT DATE: 5/26/2016
PROJECT LEADER: T. KNIGHT	DRAWN BY: C. GENDRON
DESIGNED BY: K. RICHARDSON	CHECKED BY: T. KNIGHT
UTILITY DETAILS UD 1	SHEET 18 OF 42

