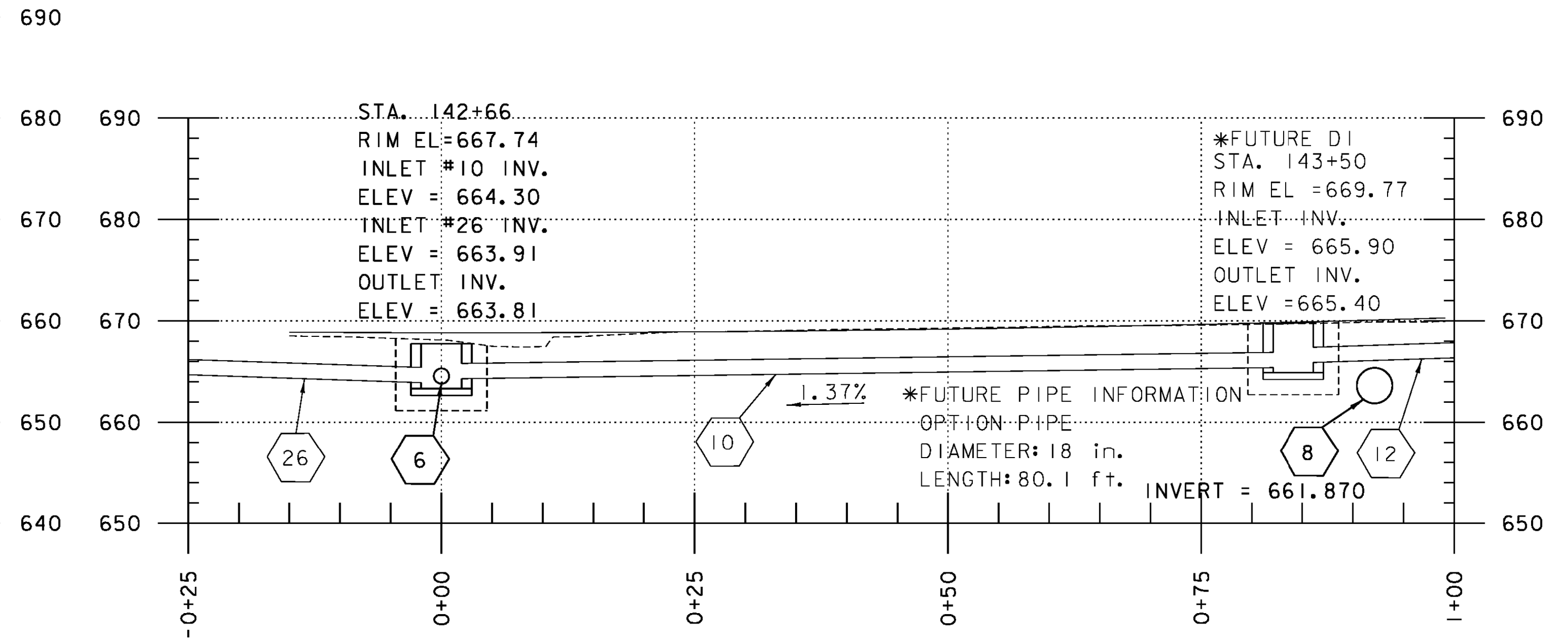
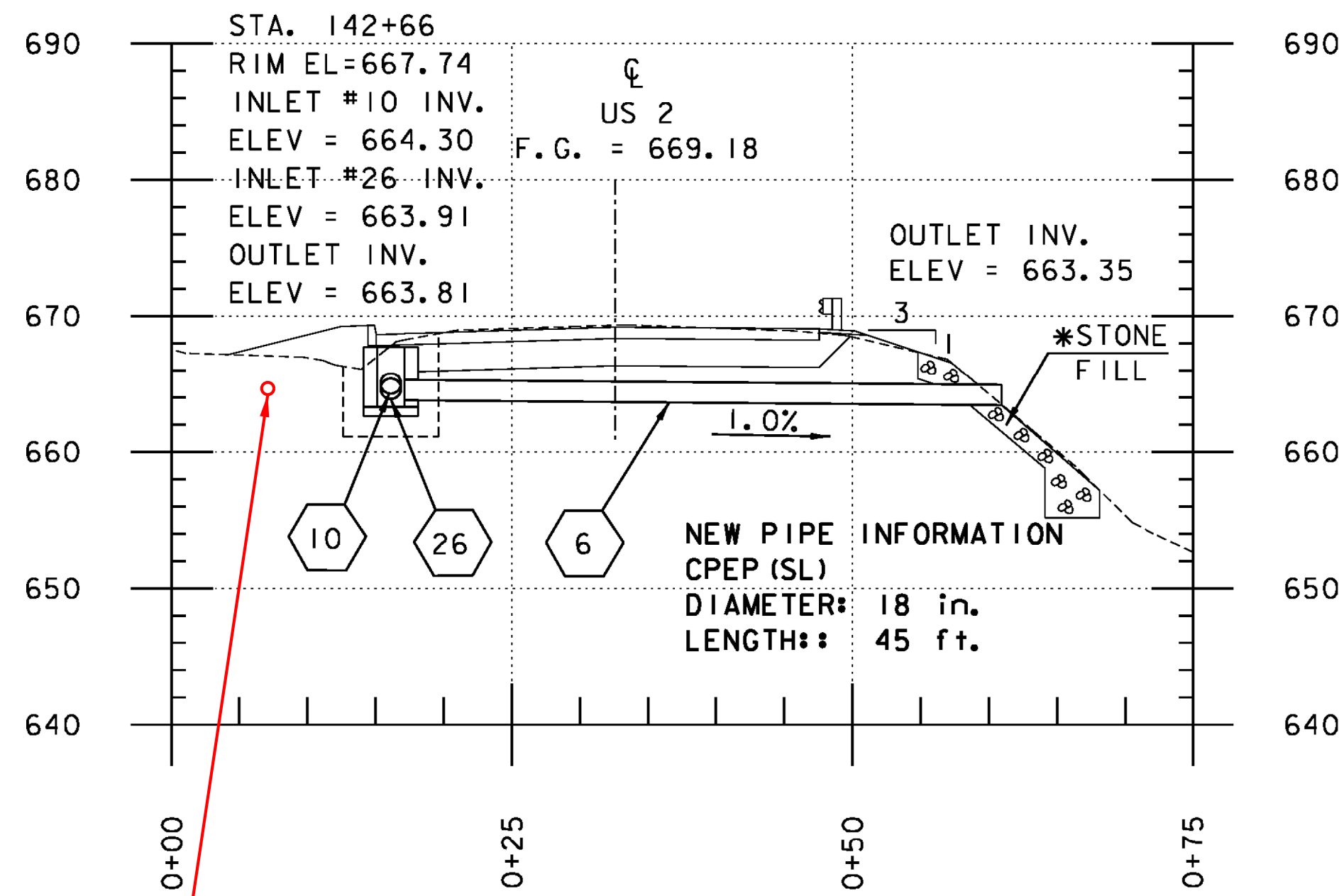


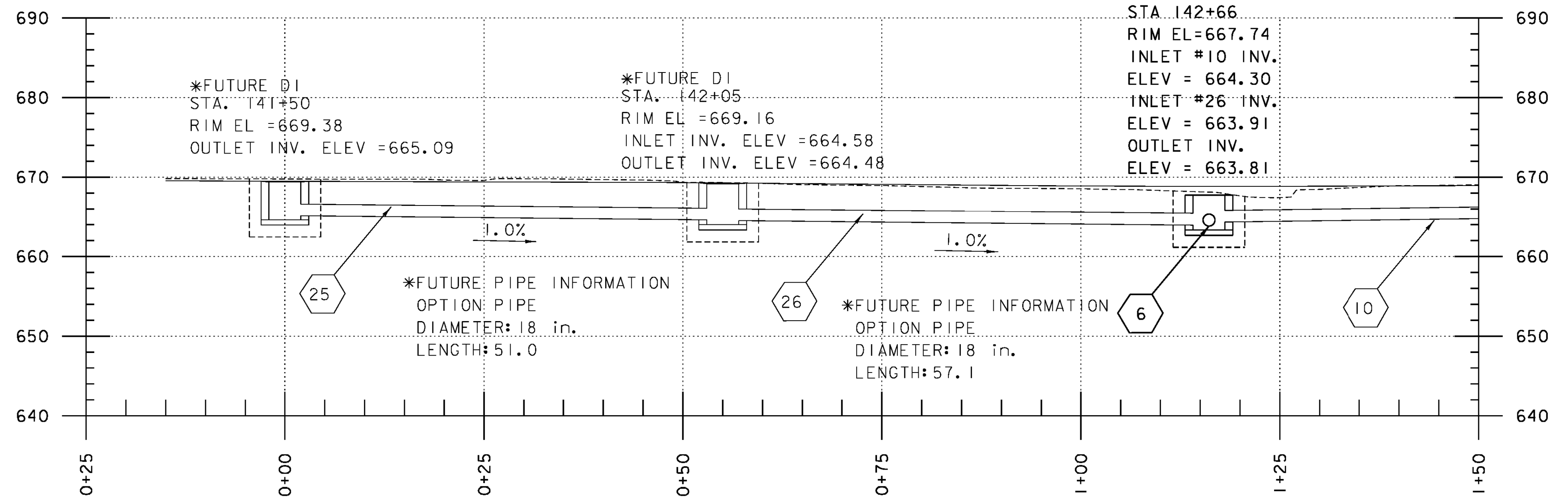
PIPE #8 PROFILE
(SEE SHEET GP 1 FOR PLAN)



PIPE #10 PROFILE
(SEE SHEET GP 1 FOR PLAN)



PIPE #6 PROFILE
(SEE SHEET GP 1 FOR PLAN)



PIPES #25 & 26 PROFILE
(SEE SHEET GP 1 FOR PLAN)

NOTE
PIPE #6, #8, AND CONNECTED INLETS ARE PART OF THIS PROJECT. ALL OTHER DRAINAGE INFORMATION IS SHOWN FOR REFERENCE ONLY AND IS INTENDED TO BE BUILT AS PART OF A FUTURE CONTRACT.

* DRAINAGE FEATURE IS NOT PART OF THIS CONTRACT; SHOWN FOR INFORMATION ONLY

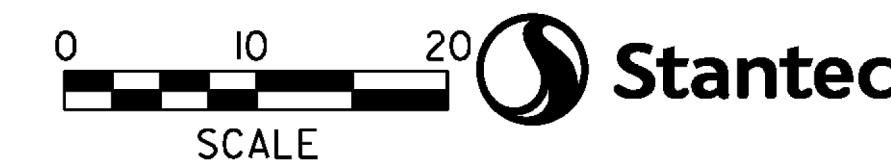
NOTE:

FOR CLARITY UNDERDRAIN IS NOT SHOWN IN PROFILES ADJUST UNDERDRAIN AS REQUIRED TO AVOID CULVERTS DRAINAGE STRUCTURES.

PROJECT NAME: EAST MONTPELIER
PROJECT NUMBER: BF EWP2(I)

FILE NAME: I9.Drainage profiles - ER.dgn
PROJECT LEADER: T. KNIGHT
DESIGNED BY: K. RICHARDSON
DRAINAGE PROFILES DP 1

PLOT DATE: 5/26/2016
DRAWN BY: C. GENDRON
CHECKED BY: T. KNIGHT
SHEET 10 OF 42



EXISTING WATERLINE:
STA 142+64, 23.9' LT
ELEV TOP OF PIPE = 665.7