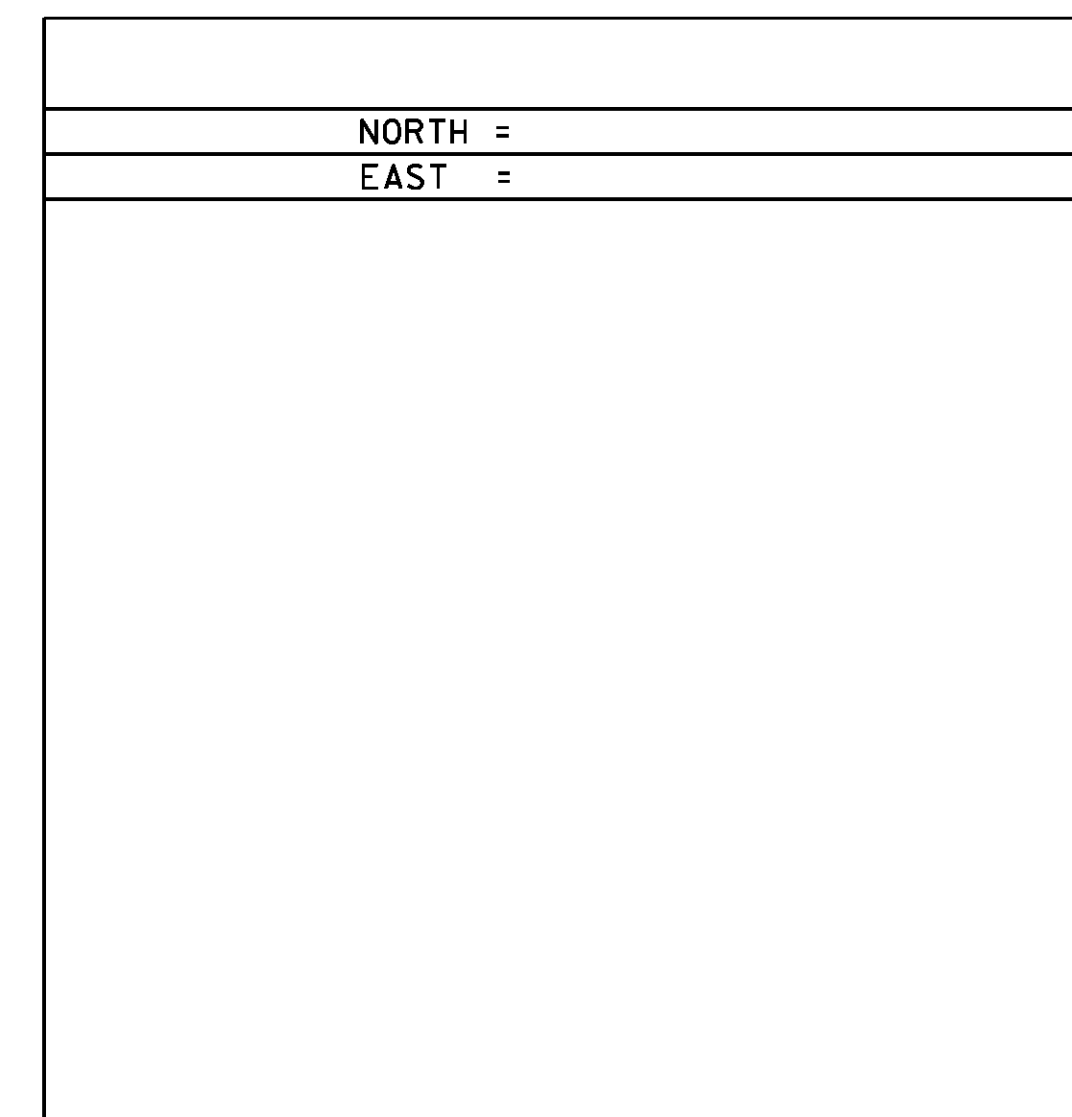
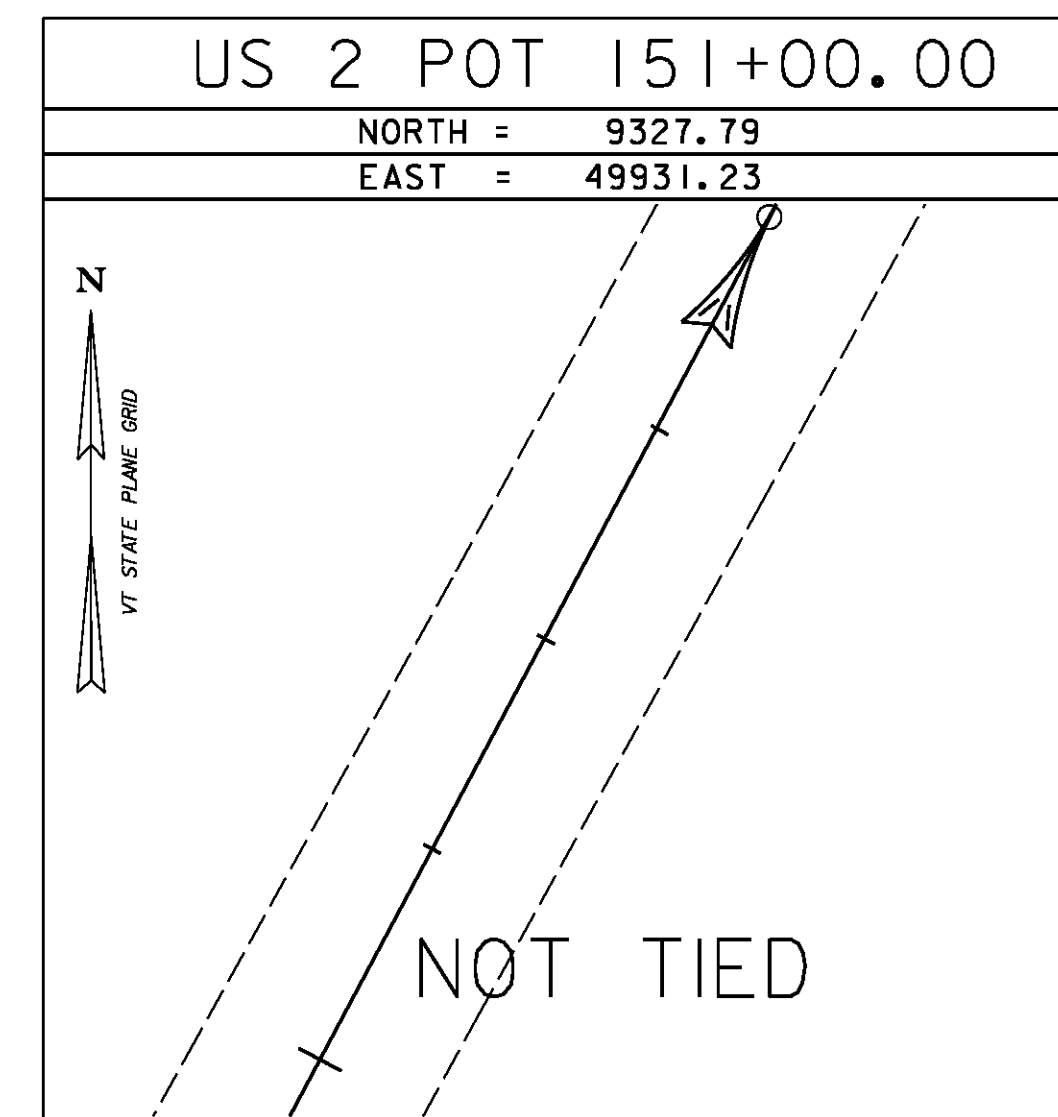
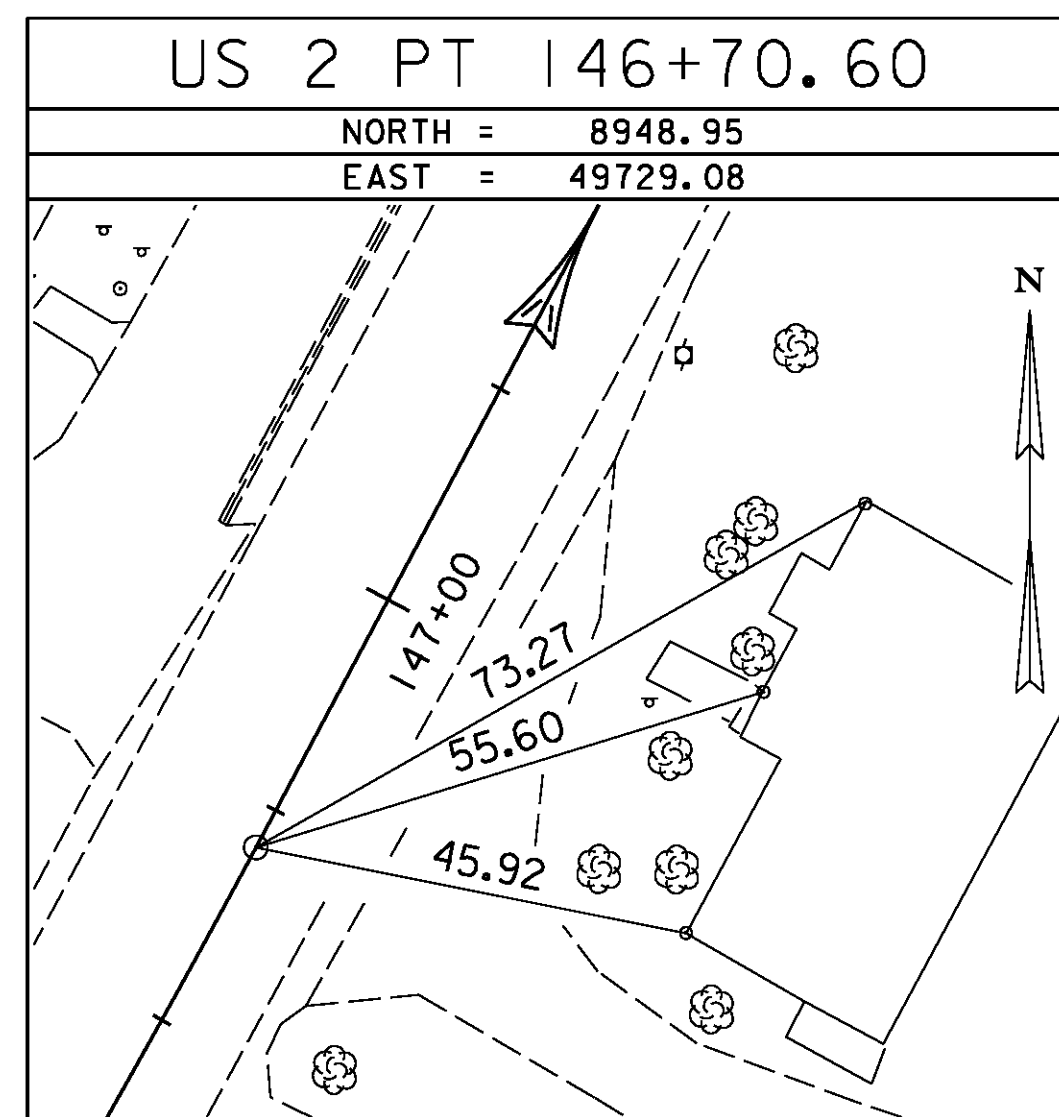
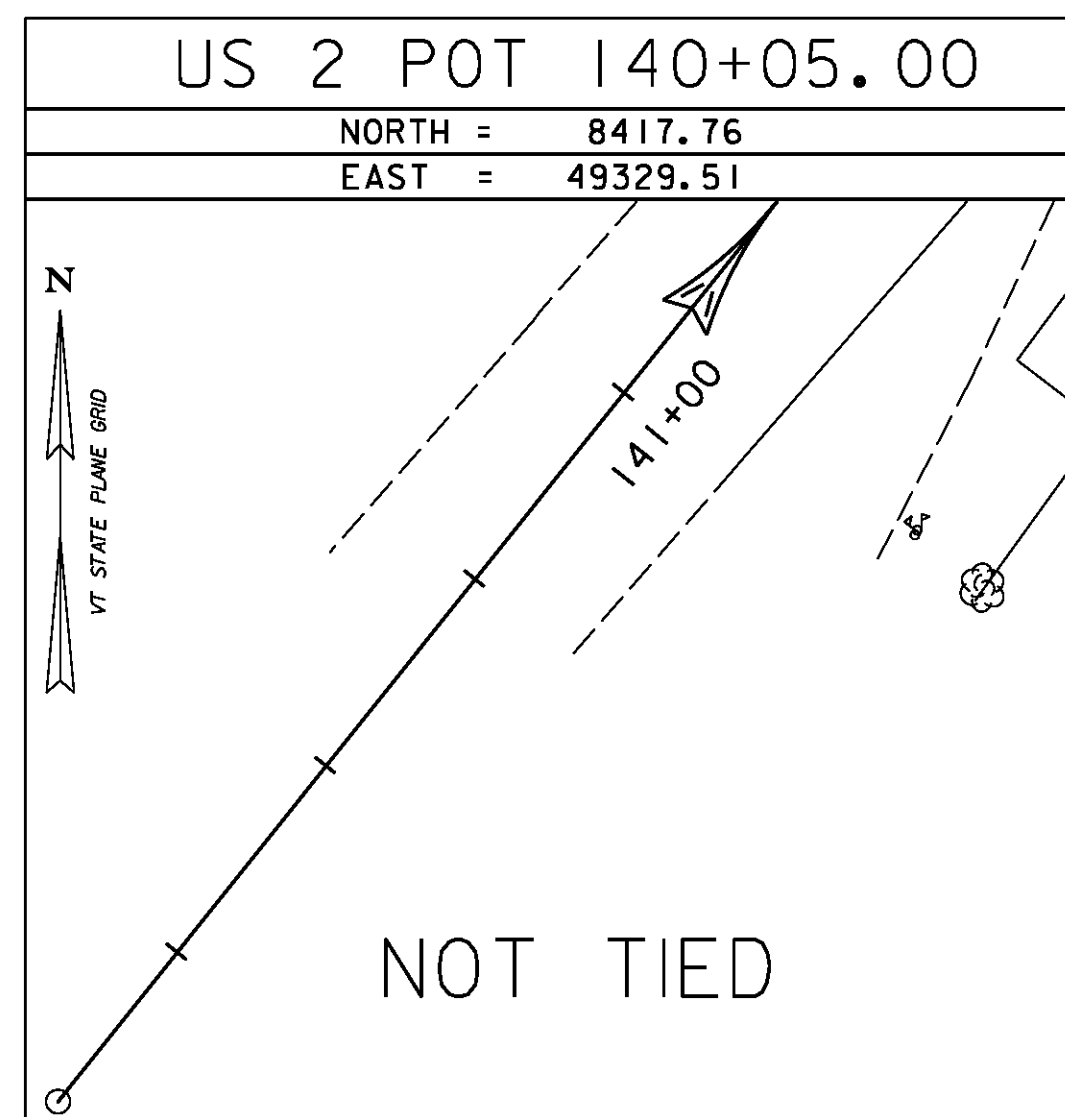


ALIGNMENT TIES



DATUM	
VERTICAL	NAVD 88
HORIZONTAL	NAD 83 (92)
ADJUSTMENT	Compass

PROJECT NAME:	EAST MONTPELIER
PROJECT NUMBER:	BF EWP2(1)
FILE NAME:	05_Survey Tie - ER.dgn
PROJECT LEADER:	T. KNIGHT
DESIGNED BY:	VTRANS
SURVEY TIE SHEET 2 - TIE 2	
PLOT DATE:	5/26/2016
DRAWN BY:	VTRANS
CHECKED BY:	VTRANS
SHEET	5 OF 42