

This document is the confidential property of "MAGNETEK INC.". This is an unpublished work subject to trade secret and copyright protection. This data disclosed herein is subject to return upon demand and is not to be reproduced, used or disclosed in whole or in part without the prior written consent of "MAGNETEK INC."

Vermont Agency of Transportation

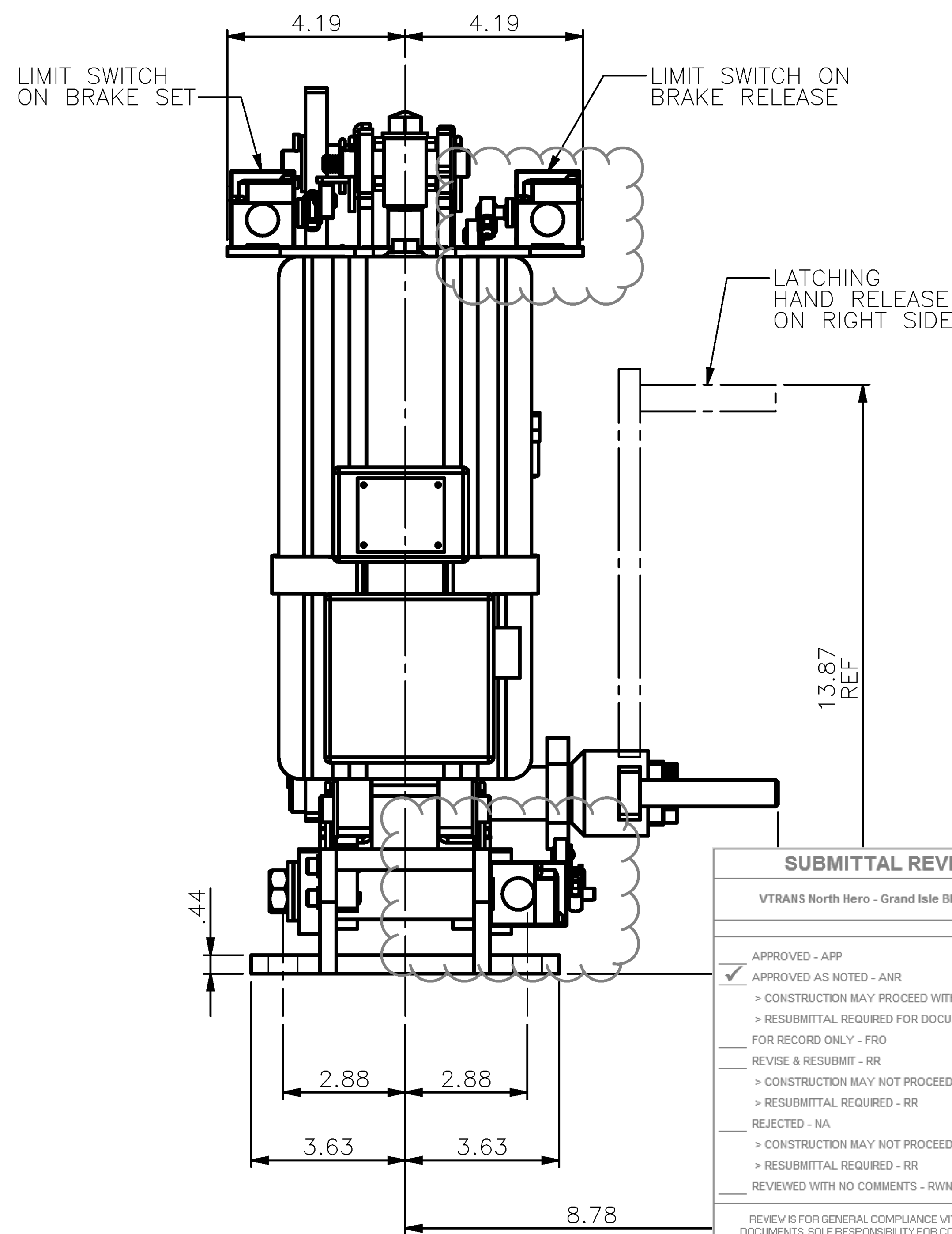
**RECEIVED**

ON: April 7, 2016

and Checked for

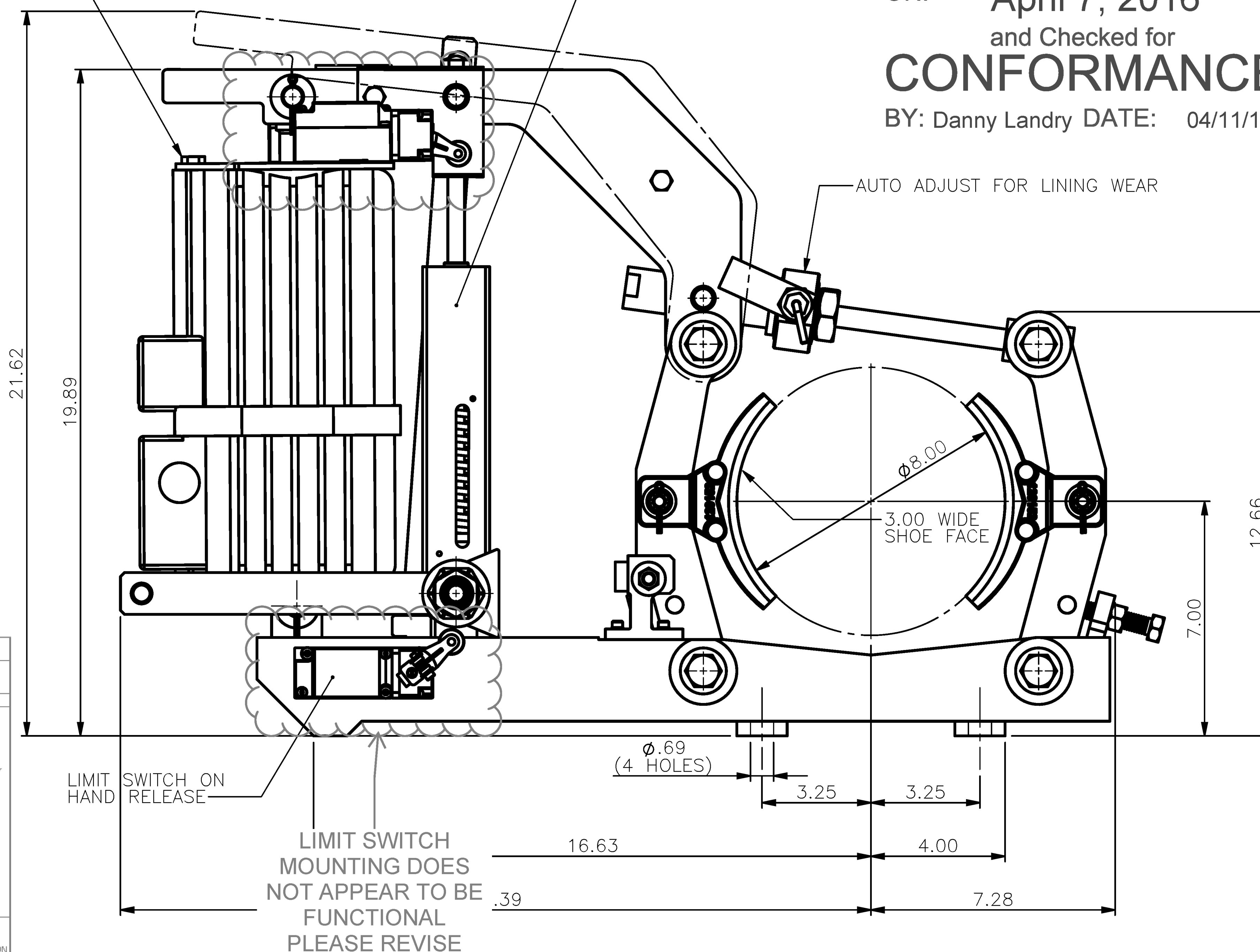
**CONFORMANCE**

BY: Danny Landry DATE: 04/11/16



HY-THRUST ACTUATOR ED30/5S=A

EXTERNAL TORQUE SPRING



8MBTE-0200-AA-ED30-RHR-M7-SPL

- FOR 8 INCH BRAKEWHEEL
- EXTERNAL TORQUE SPRING
- MAX TORQUE: 200 LBFT
- AUTO ADJUST FOR LINING WEAR
- ED30/5S-A ACTUATOR, 230-460/3/60HZ
- TIME DELAY ON BRAKE SET
- C10 FLUID, OPERATING TEMPERATURE (-13F TO 122F)

- LATCHING HAND RELEASE ON RIGHT HAND SIDE
- LIMIT SWITCHES ON BRAKE SET, RELEASE, AND HAND RELEASE

**\*\*SPECIAL: CUSTOM TORQUE\*\***

**\*\*SPECIAL: LIMIT SWITCHES TO BE EPOXY POTTED WITH 12 FT CABLES\*\***

PROVIDE BRAKE TORQUE SETTING

SUBMITTAL REVIEW	
VTRANS North Hero - Grand Isle BF EWP1(2)	
APPROVED - APP	
<input checked="" type="checkbox"/> APPROVED AS NOTED - ANR	> CONSTRUCTION MAY PROCEED WITH ANR
	> RESUBMITTAL REQUIRED FOR DOCUMENTATION ONLY
FOR RECORD ONLY - FRO	
REVISE & RESUBMIT - RR	
<input type="checkbox"/> CONSTRUCTION MAY NOT PROCEED	> RESUBMITTAL REQUIRED - RR
REJECTED - NA	
<input type="checkbox"/> CONSTRUCTION MAY NOT PROCEED	> RESUBMITTAL REQUIRED - RR
REVIEWED WITH NO COMMENTS - RWNC	
REVIEW IS FOR GENERAL COMPLIANCE WITH CONTRACT DOCUMENTS. SOLE RESPONSIBILITY FOR CORRECTNESS OF DIMENSIONS, DETAIL QUANTITIES AND SAFETY DURING FABRICATION AND ERECTION SHALL REMAIN WITH THE CONTRACTOR. SHOP DRAWING APPROVAL DOES NOT RELIEVE CONTRACTOR FROM FULFILLING ALL REQUIREMENTS OF THE CONTRACT DOCUMENTS.	
FIRM:	HDR
BY:	CPM
DATE:	4/8/2016

DRAWING APPROVAL	
SIGNED:	_____
DATE:	_____
<input type="checkbox"/> APPROVED.	
<input type="checkbox"/> APPROVED AS NOTED.	
<input type="checkbox"/> RESUBMIT WITH CORRECTIONS SHOWN.	

NEXT ASSY:- XXXXXX

DECIMAL PLACE	
(1) PLACE 0.0	± 0.040"
(2) PLACE 0.00	± 0.020"
(3) PLACE 0.000	± 0.010"
(4) PLACE 0.0000	± 0.005"

EXCEPTIONS:  
 TOLERANCE BELOW 0.005" TO BE SHOWN TO UPPER AND LOWER LIMIT.  
 ∇# INDICATES USE OF DECIMAL PLACE TOLERANCE OTHER THAN INDICATED BY ORIGINAL DECIMAL DIMENSION.  
 AS 0.25" - (USE ONE DECIMAL PLACE TOL.)

GENERAL TOLERANCES NOTES

NO.	REVISION	BY	DATE

**MAGNETEK**  
 MATERIAL HANDLING  
 Mondel

TITLE: 8MBTE-0200-AA-ED30-RHR-M7-SPL  
 OUTLINE DRAWING

DRAWN: AB	DATE: 4/6/2016	DWG NO.	104928	REV NO.	0
CHECK'D: ---	DATE: ---	APPR'D: ---	SCALE: 1:4	WEIGHT: --- Lbs.	SHEET: 1 OF 1