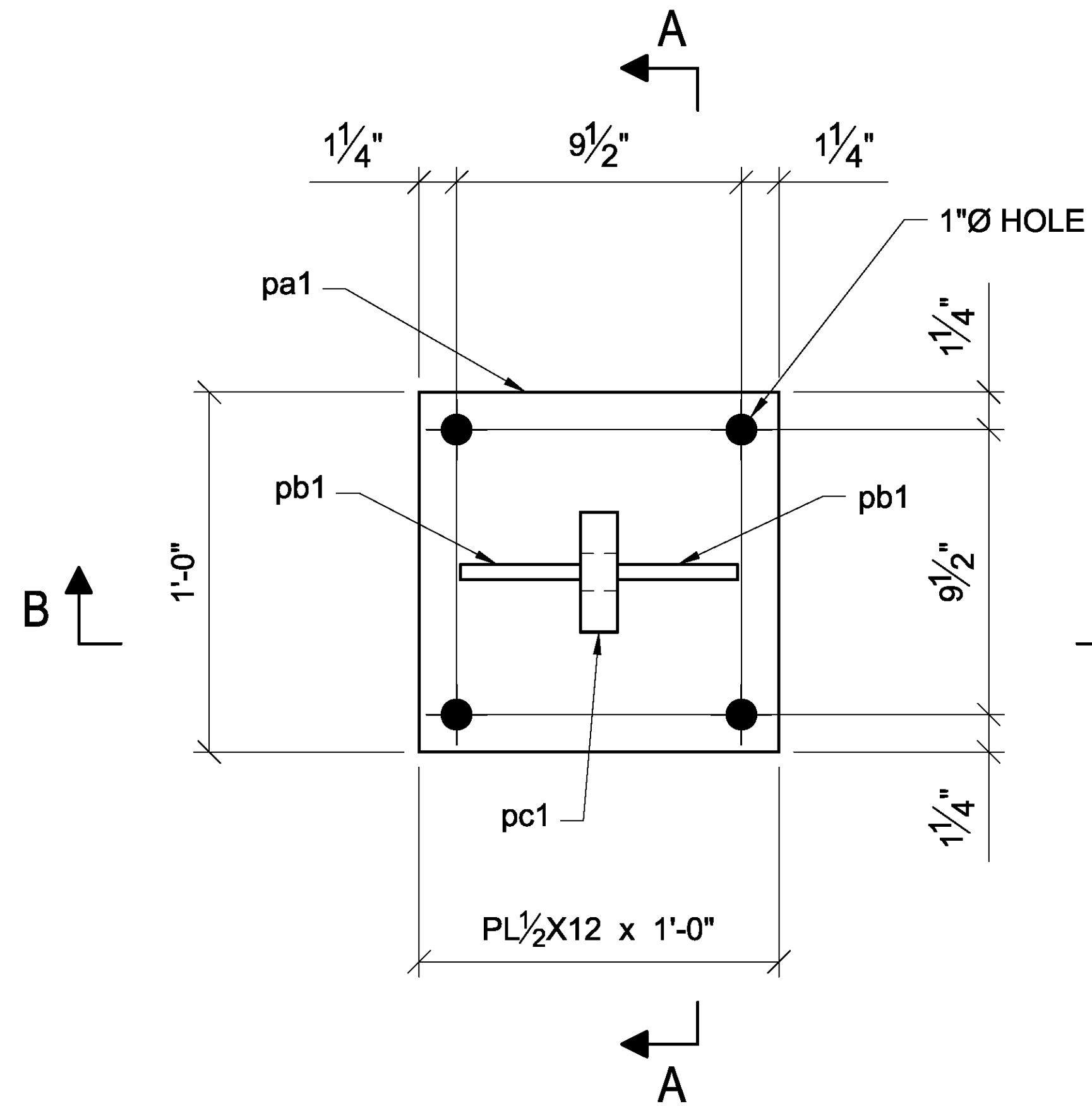
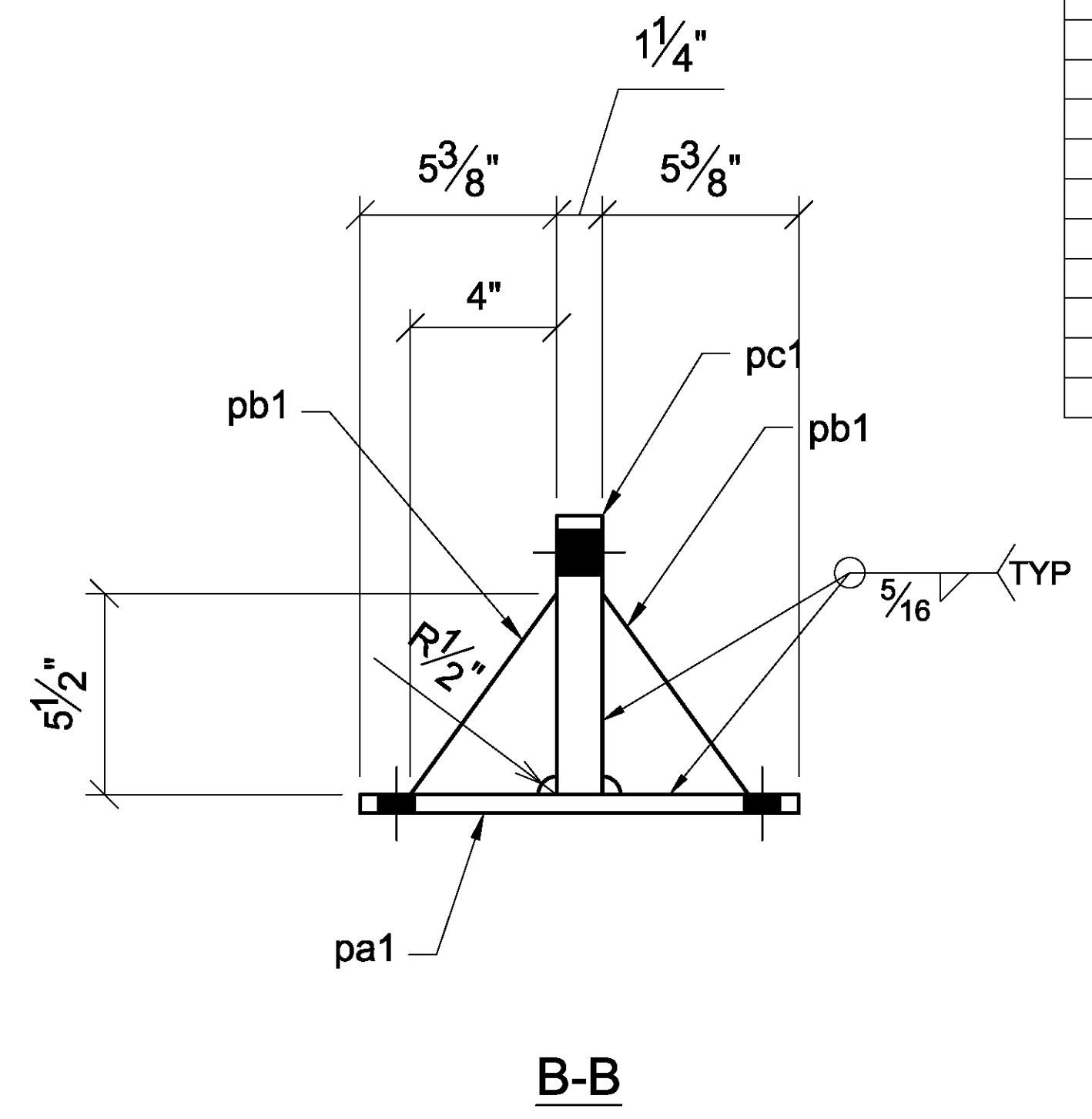
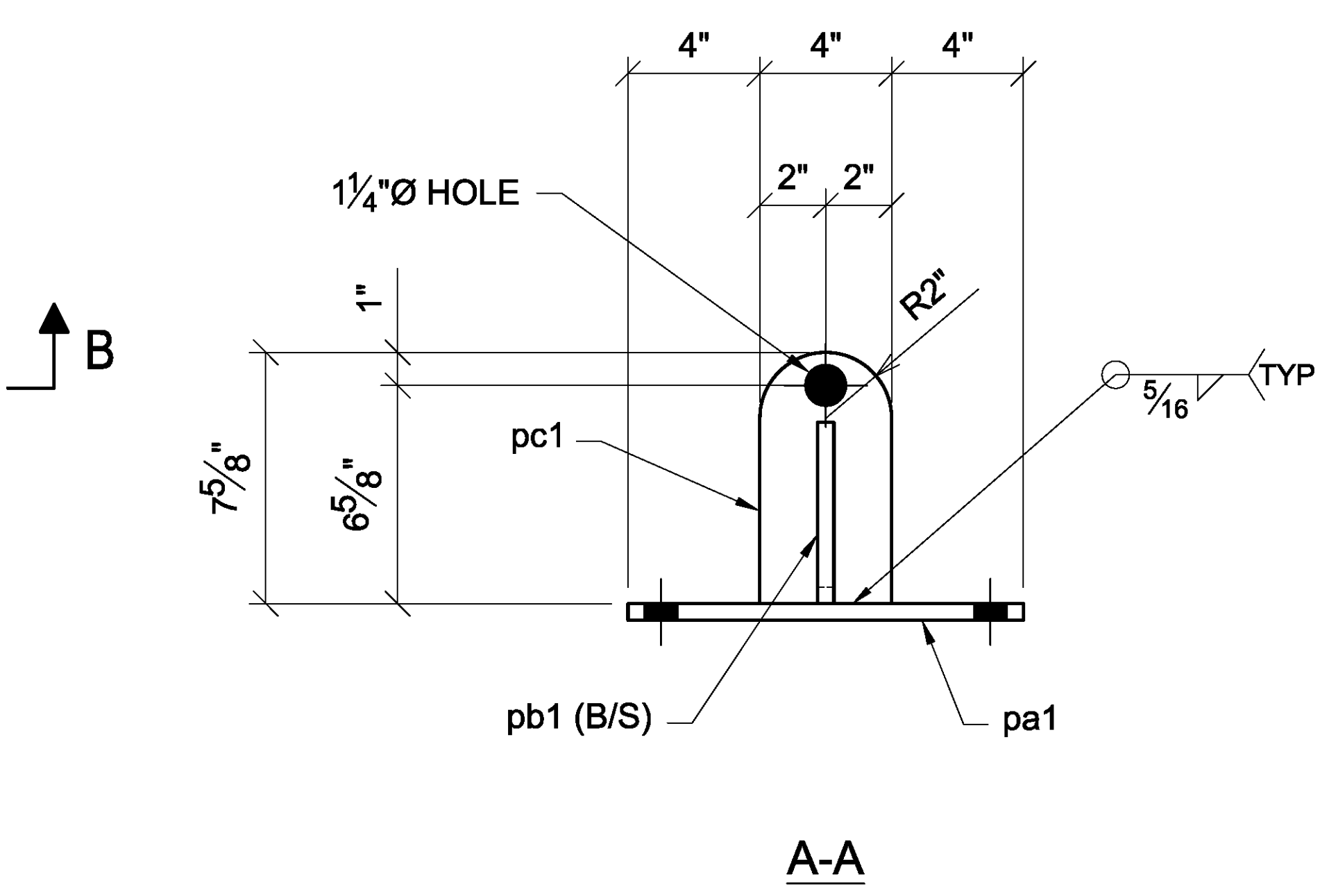


MARK	QTY.	SIZE	LENGTH		GRADE	REMARKS	WEIGHT	LINE #
			FT	IN				
1900M	2	SUPPORTS						
pa1	2	PL1/2X12		1'-0"	A572-GR.50		41	
pb1	4	PL1/2X4		5 1/2"	A572-GR.50		12	
pc1	2	PL1 1/4X4		7 5/8"	A572-GR.50		22	
1901M	2	.974"Ø STEEL PIN (±.002")		1'-1 13/16"	4140		6	
1902M	2	.974"Ø STEEL PIN (±.002")		4 9/16"	4140		2	
1903M	4	BRASS SPACER (1.600" O.D. x 1.000" I.D.)		4 3/8"			4	
1904M	4	BRASS SPACER (1.600" O.D. x 1.000" I.D.)		1 1/4"			2	
1905M	2	BRASS SPACER (1.250" O.D. x 1.000" I.D.)		1 1/4"			1	
SHEET WEIGHT							90	



2 - SUPPORTS - 1900M



Vermont Agency of Transportation  
**RECEIVED**  
 ON: May 25, 2016  
 and Checked for  
**CONFORMANCE**  
 BY: Danny Landry DATE: 06/02/2016

**SUBMITTAL REVIEW**

VTRANS North Hero - Grand Isle BF EWP1(2)

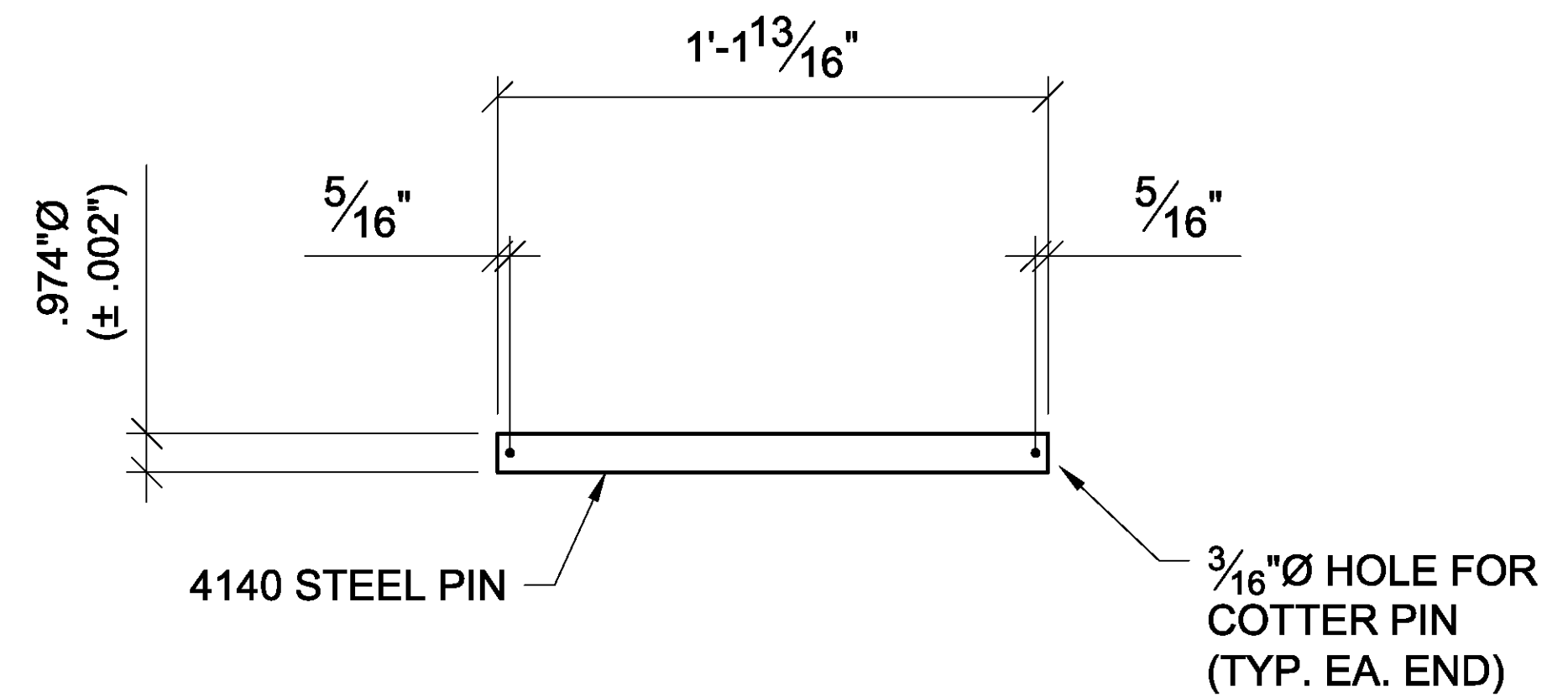
Submittal #0044

APPROVED - APP  
 APPROVED AS NOTED - ANR  
 > CONSTRUCTION MAY PROCEED WITH ANR  
 > RESUBMITTAL REQUIRED FOR DOCUMENTATION ONLY  
 FOR RECORD ONLY - FRO  
 REVISE & RESUBMIT - RR  
 > CONSTRUCTION MAY NOT PROCEED  
 > RESUBMITTAL REQUIRED - RR  
 REJECTED - NA  
 > CONSTRUCTION MAY NOT PROCEED  
 > RESUBMITTAL REQUIRED - RR  
 REVIEWED WITH NO COMMENTS - RWNC

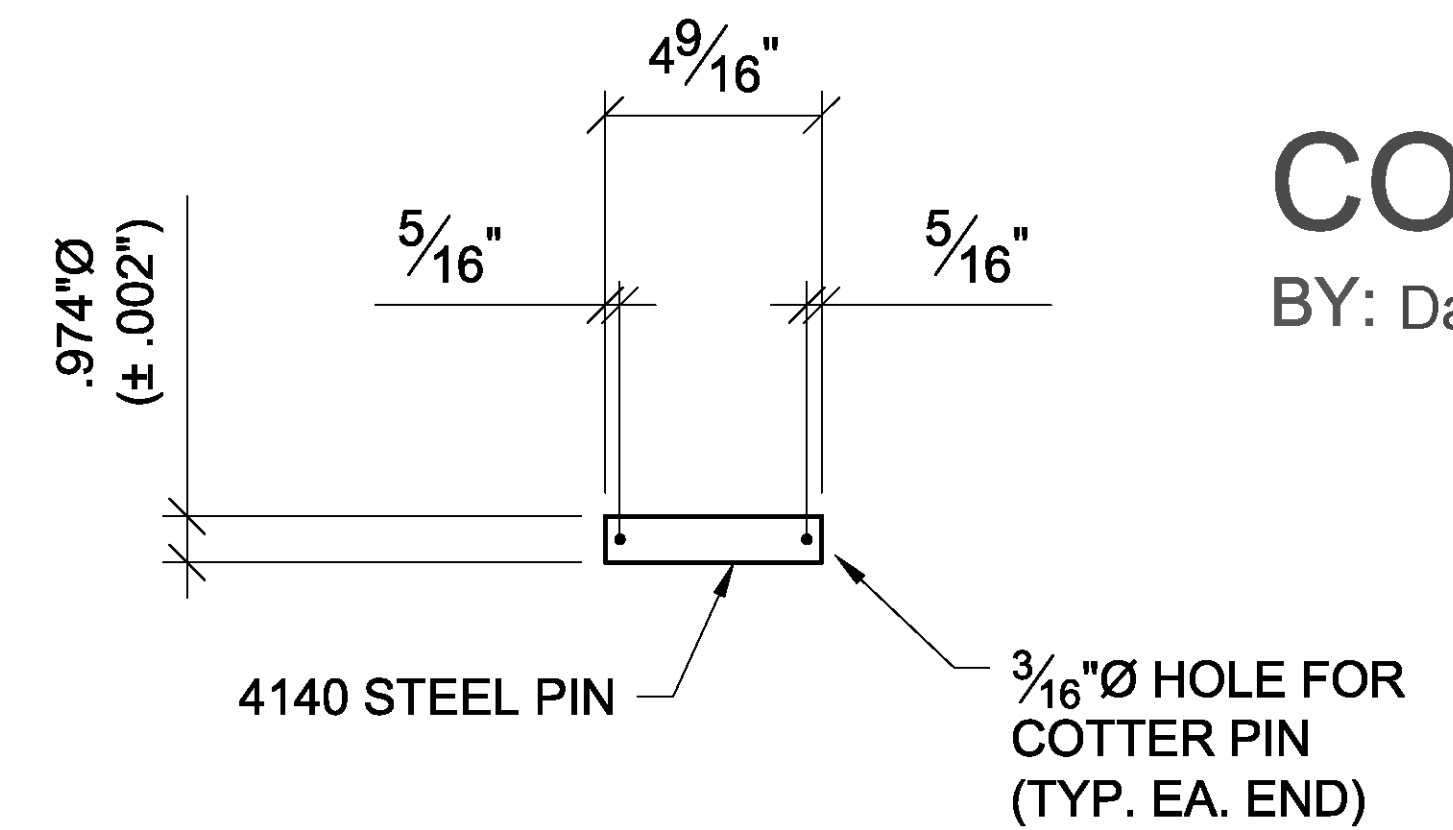
REVIEW IS FOR GENERAL COMPLIANCE WITH CONTRACT DOCUMENTS. SOLE RESPONSIBILITY FOR CORRECTNESS OF DIMENSIONS, DETAIL QUANTITIES AND SAFETY DURING FABRICATION AND ERECTION SHALL REMAIN WITH THE CONTRACTOR. SHOP DRAWING APPROVAL DOES NOT RELIEVE CONTRACTOR FROM FULFILLING ALL REQUIREMENTS OF THE CONTRACT DOCUMENTS.

FIRM: **HDR**

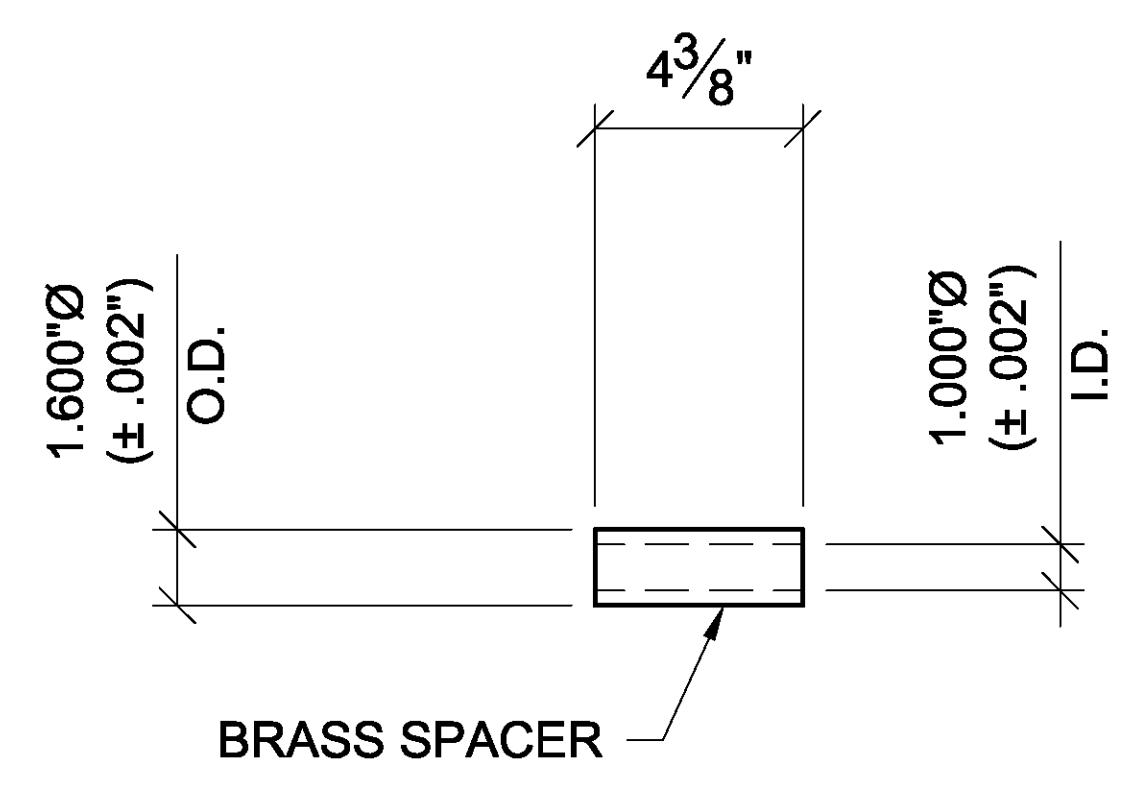
BY: **PJJ** DATE: **6/2/2016**



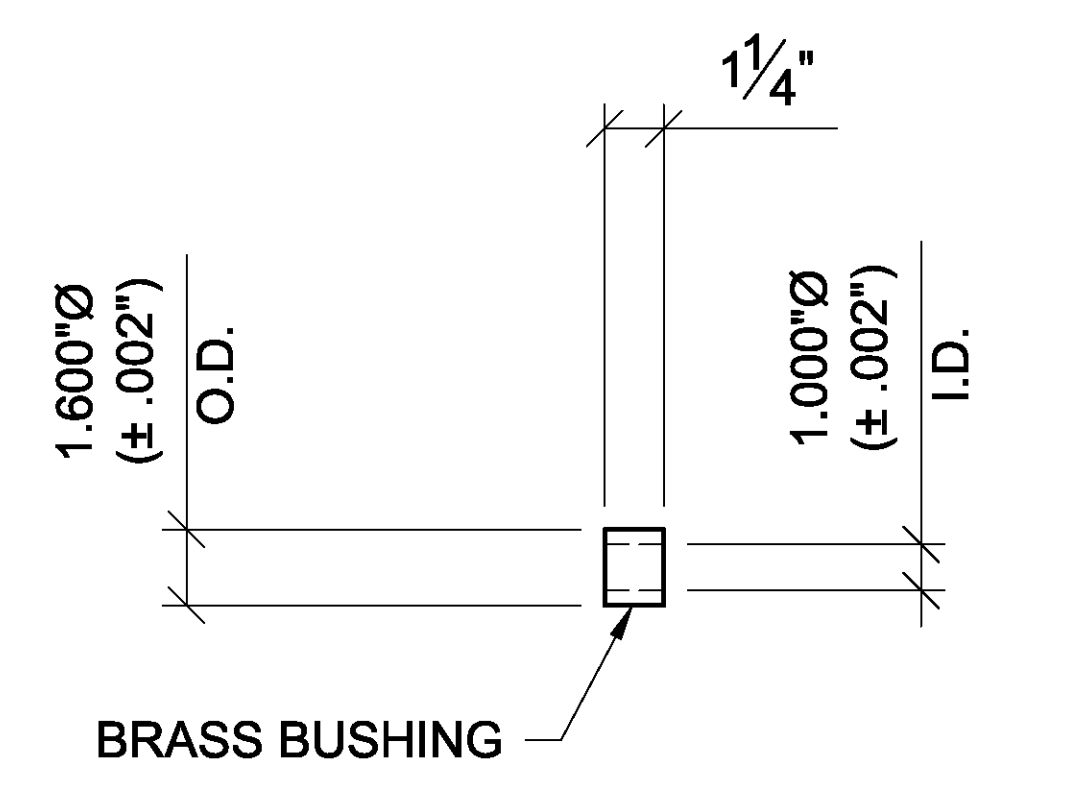
2 - PINS - 1901M



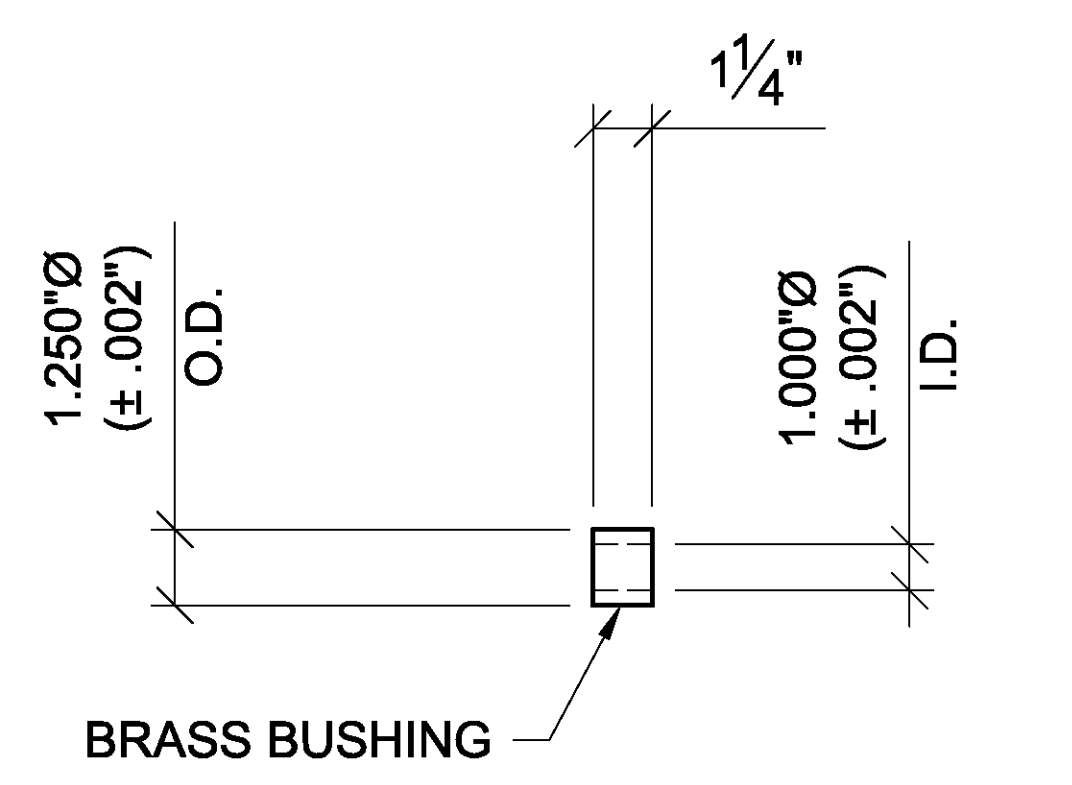
2 - PINS - 1902M



4 - SPACERS - 1903M



4 - BUSHINGS - 1904M



2 - BUSHINGS - 1905M

DRAWING NOTES: HOLES: 1"Ø (UNO)  
 BOLTS: N/A  
 WELDS: PER AWS D1.5  
 MATERIAL: A572-GR.50 (UNO)  
 E - DRG REF: N/A

ENG. REF. DRG. No. SHEETS 1-3

**CIANBRO** PEOPLE PRIDE PROGRESS  
 Fabrication & Coating Corp.  
 Pittsfield, ME - Baltimore, MD - Georgetown, MA

AMERICAN SOCIETY OF STEEL ERECTORS  
 EST. FOUNDED 1915

COATINGS	GALVANIZING	<input type="checkbox"/> YES <input checked="" type="checkbox"/> NO	MASKING REQ'D	<input type="checkbox"/> YES <input checked="" type="checkbox"/> NO	DRAWN BY	DATE
SURFACE PREP: SSPC-SP10					M. DAVIS	05/22/2016
PRIME COAT: MACROPOXY 646					CHKD BY	DATE
SECOND COAT: MACROPOXY 646					RAB	05/23/2016
TOP COAT: (FINISH COLOR: OSHA FEDERAL GREEN)					JOB COORDINATOR	
DESCRIPTION: BRAKE SUPPORTS					P. DEROO	REV. <b>A</b>
JOB: NORTH HERO BASCULE BRIDGE NORTH HERO, VT					JOB NO.	DRG. NO.
CUSTOMER: CIANBRO CORPORATION					7160169	M1

REV.	REMARKS	DATE	DWN	XO
A	FOR APPROVAL	05/23		