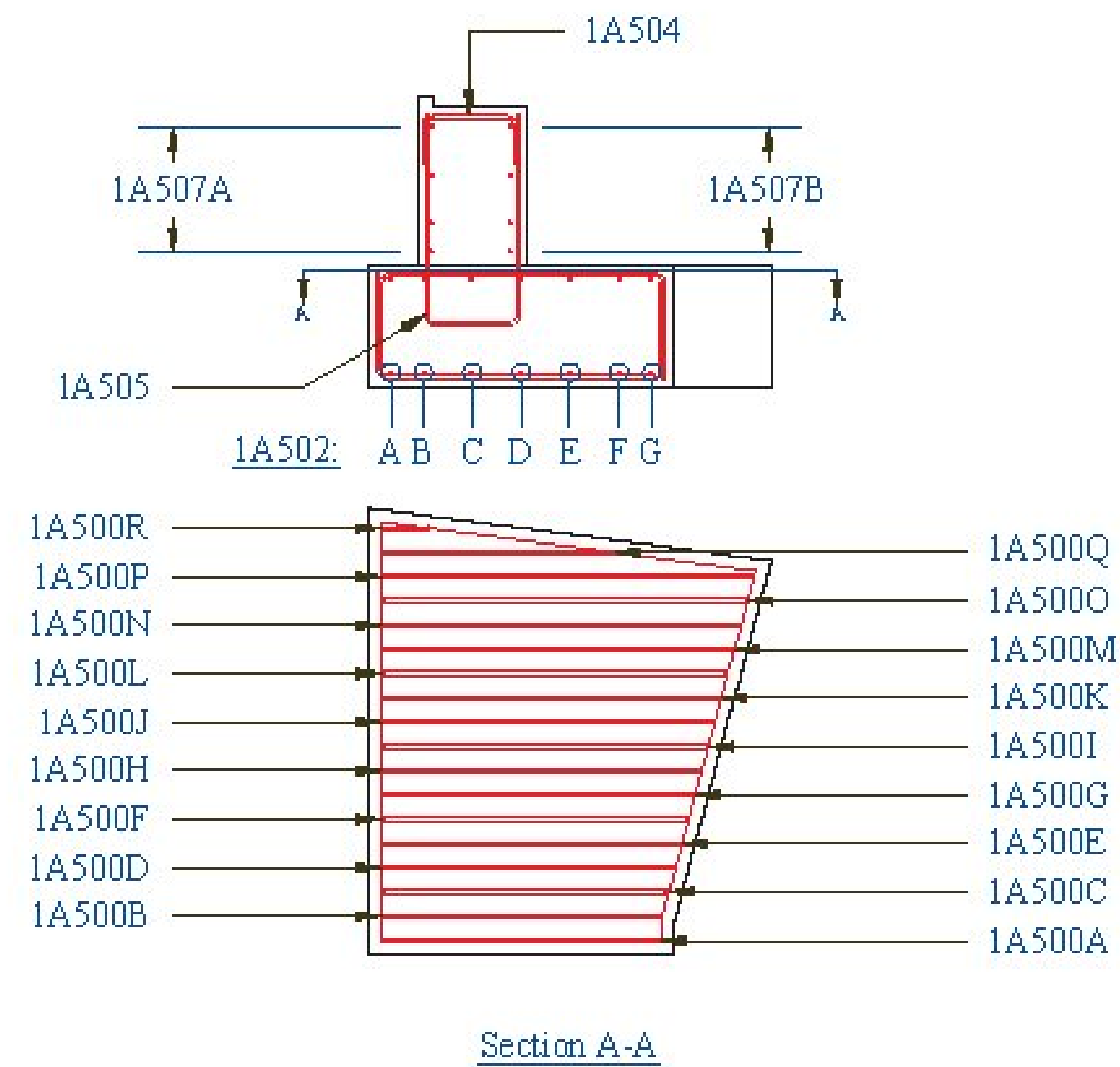
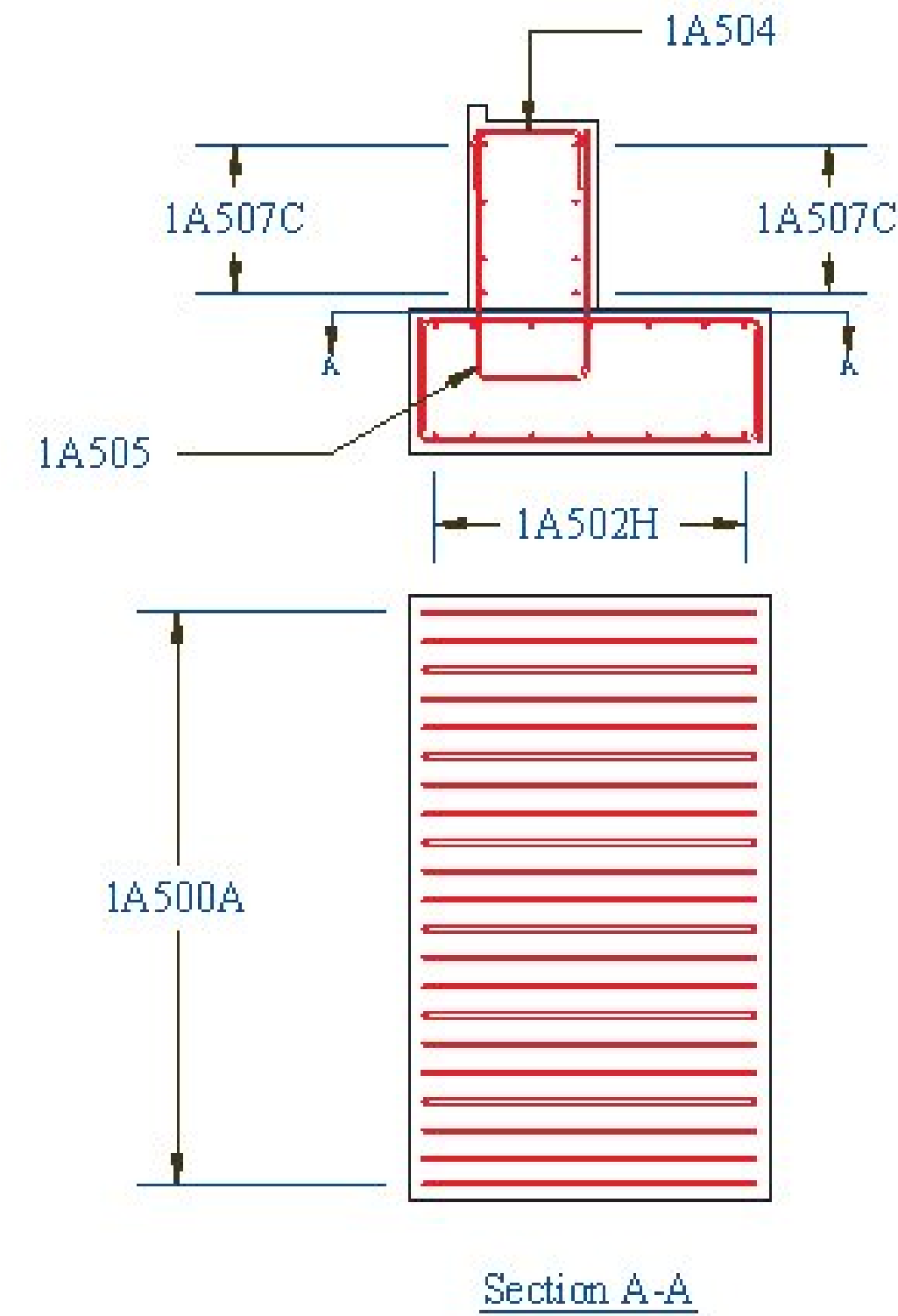


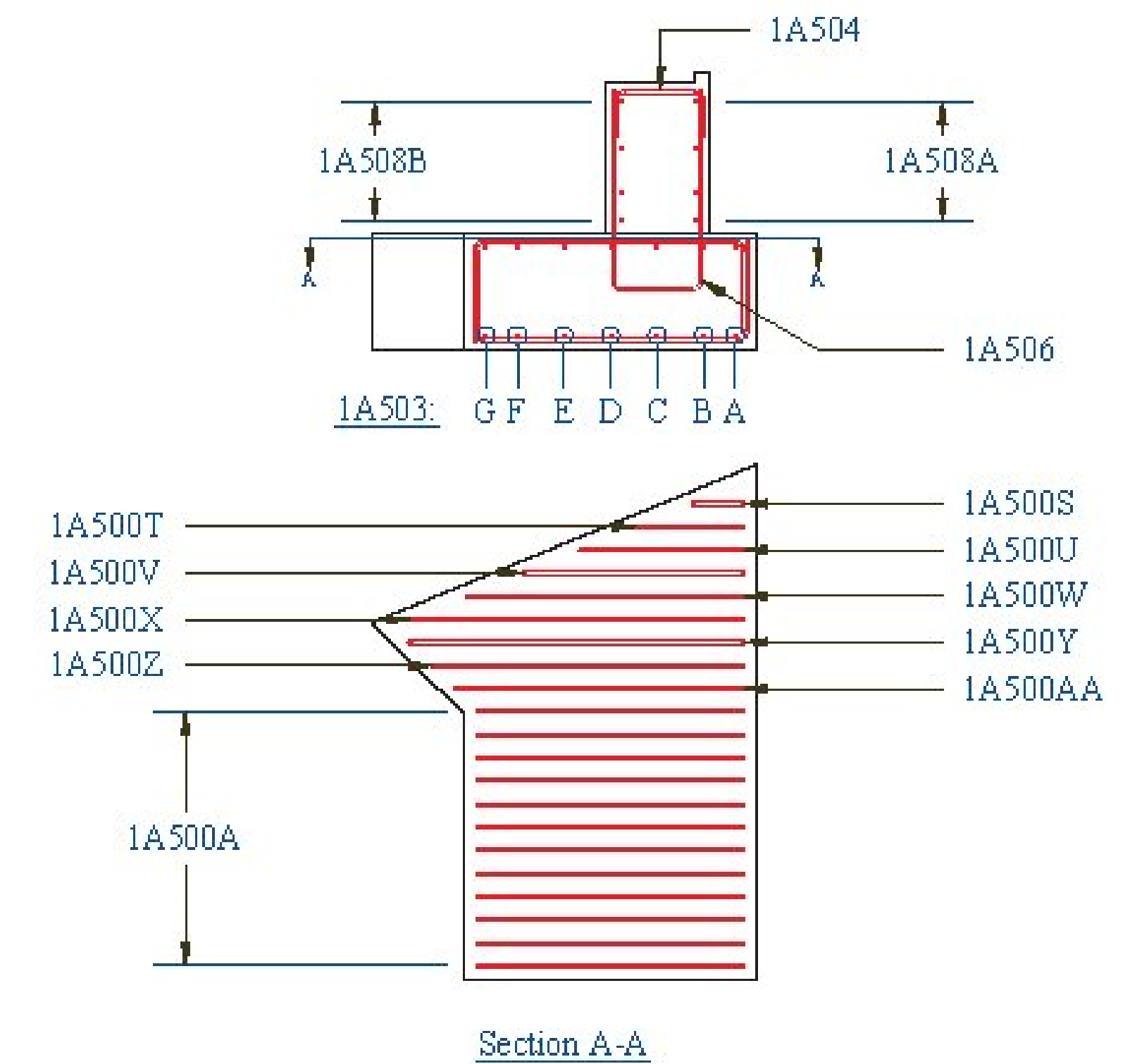
WF1A Reinforcing Detail



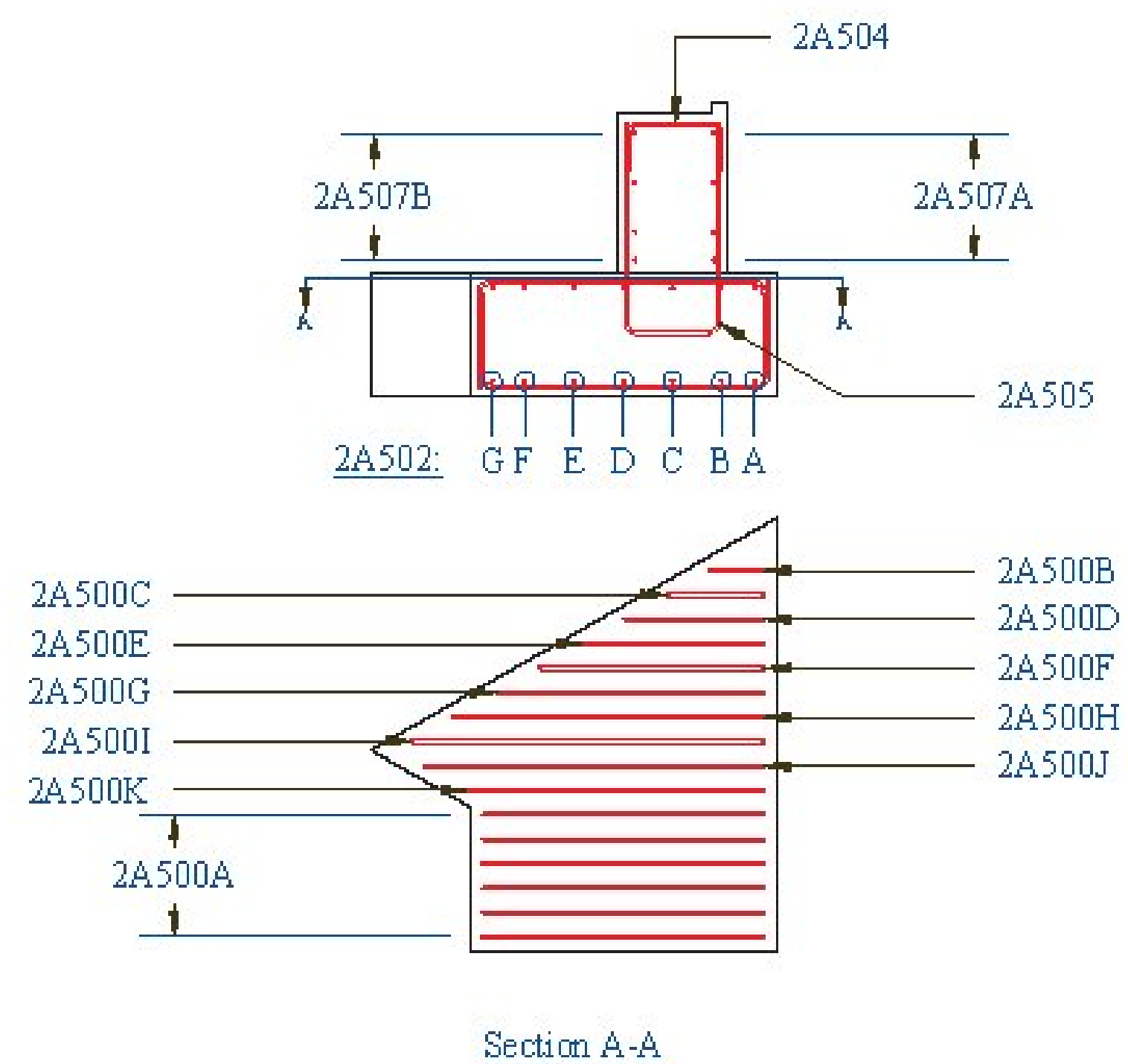
WF1B Reinforcing Detail



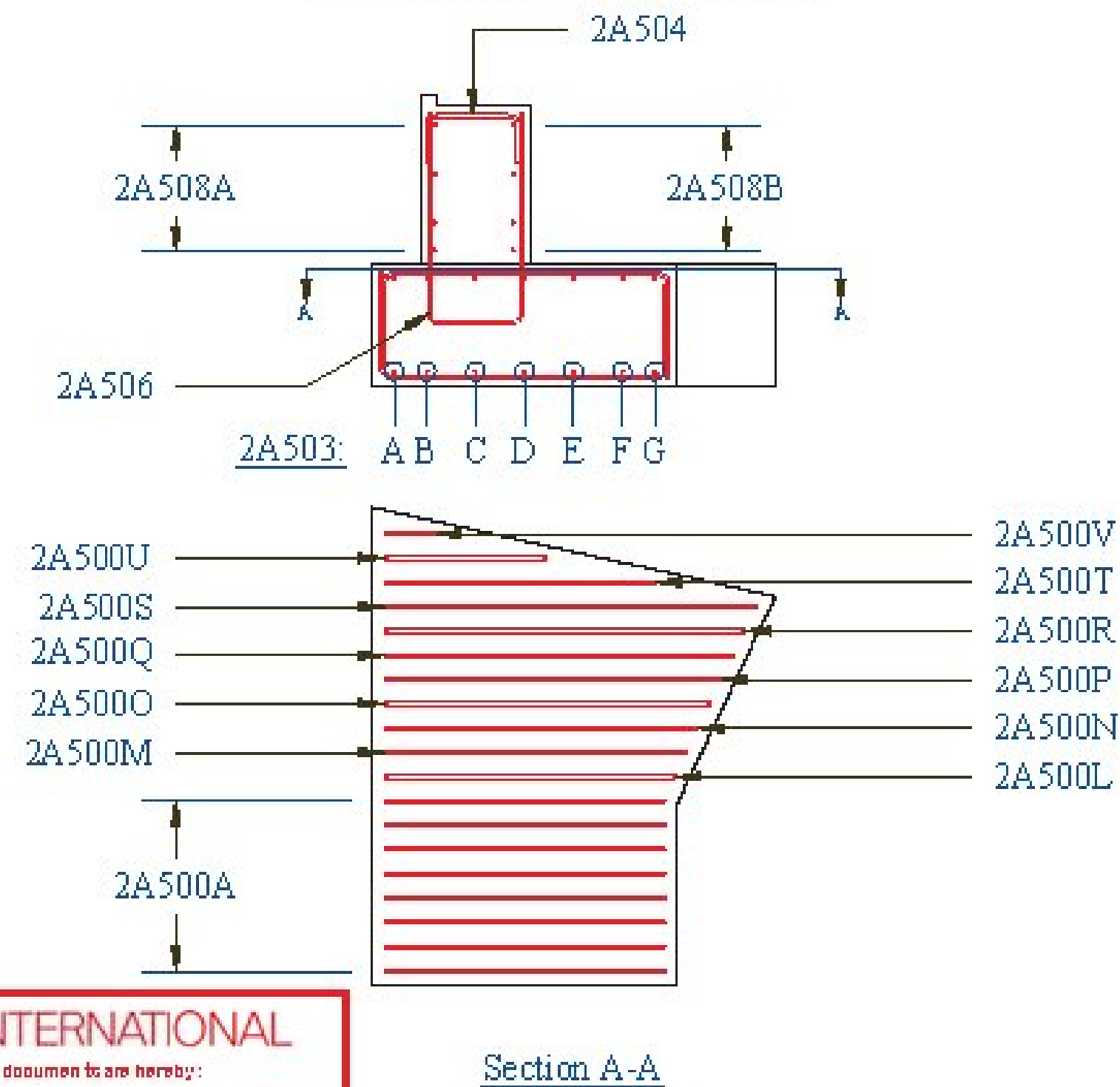
WF2 Reinforcing Detail



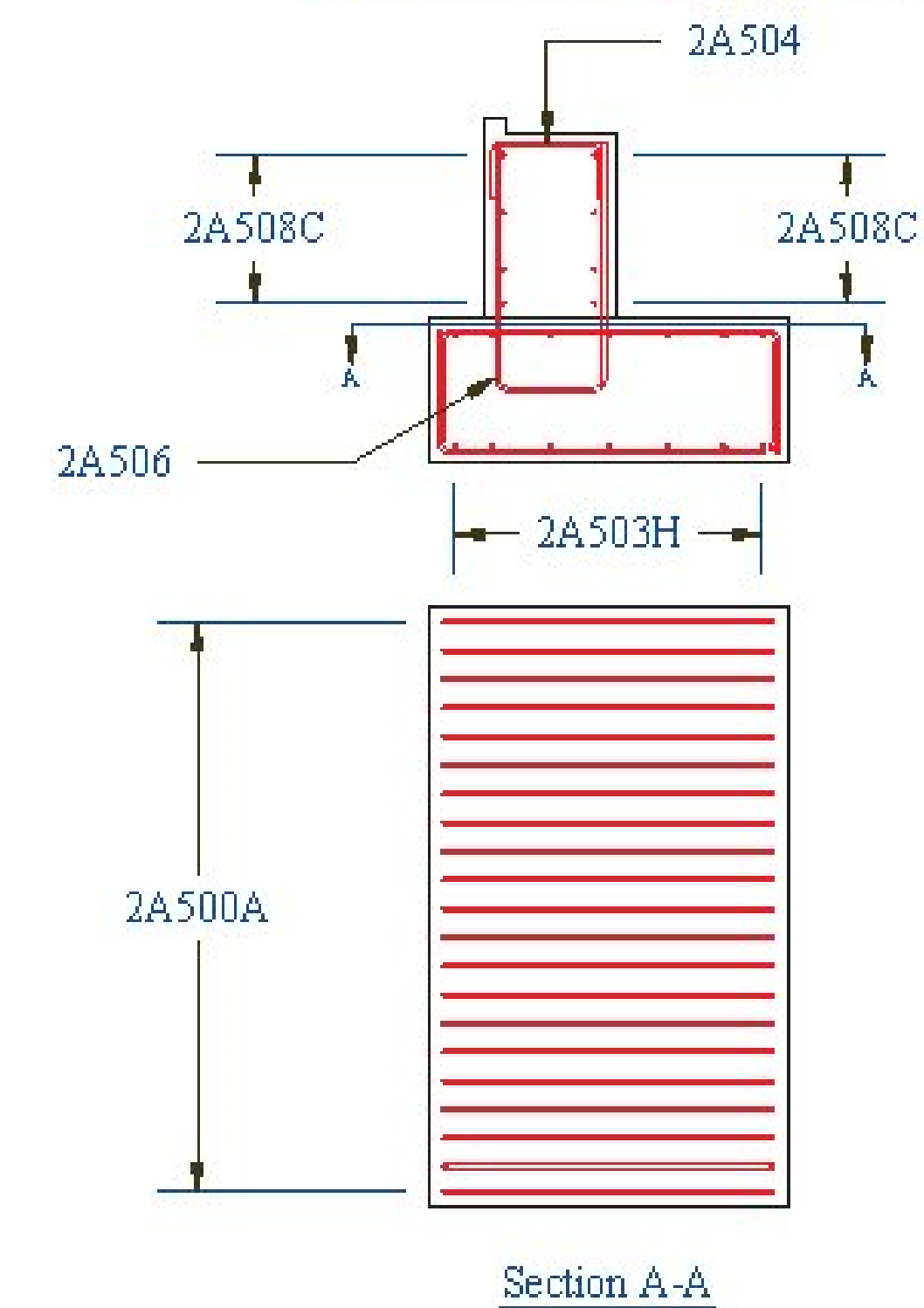
WF3 Reinforcing Detail



WF4A Reinforcing Detail



WF4B Reinforcing Detail



TYLIN INTERNATIONAL
 The stamped documents are hereby:
 Approved
 Approved as noted
 Rejected and resubmit
 See transmittal for additional information as applicable.
 This is a declaration of general conformance with design concept only. Any deviation from the plan or specification is clearly noted by the Contractor and has been reviewed, approved by the Engineer shall not relieve the Contractor of the contractor's responsibility for any error or omission from the contract requirements.
 Josh Clund 08/09/2016
 Designer Date

CONTRACTORS VISPE:

Vermont Agency of Transportation
RECEIVED
 CK'D BY TY Un CK'D BY MH
 August 2, 2016
 RESUBMIT No Approved
 BY Kls In Hlgtr DATE 08/03/2016

PRECAST CONCRETE BOX CULVERT SHOP DRAWINGS (SDI JOB #17682)
 SUPERVISOR: E. Barendse
 DETAILER: I. ADAMS
 CHECKER: E. Barendse
 PROJECT NAME: DUXBURY
 PROJECT #: BF 013-4(47)
 LOCATION: DUXBURY, VT

INSTALLER:
 J.A. McDONALD
 585 Gilman Rd
 Lyndon Ctr, VT 05850
 07/29/16

FABRICATOR:
 193 INDUSTRIAL AVE.
 WILLISTON, VT 05495
 Ph: (802) 658-0201
SD Ireland
 PRECAST
 WING_REINFORCING
 8_OF_12