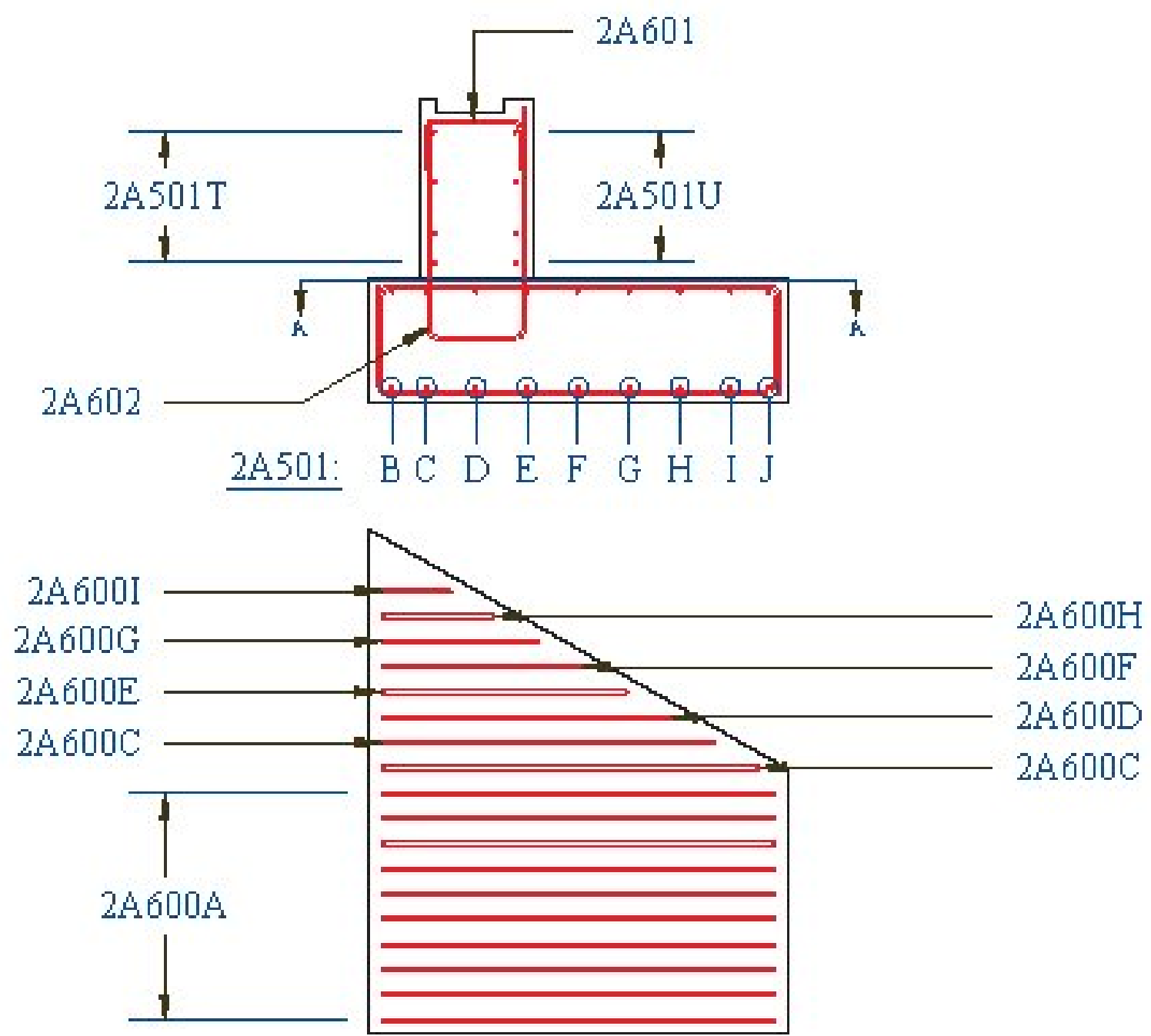
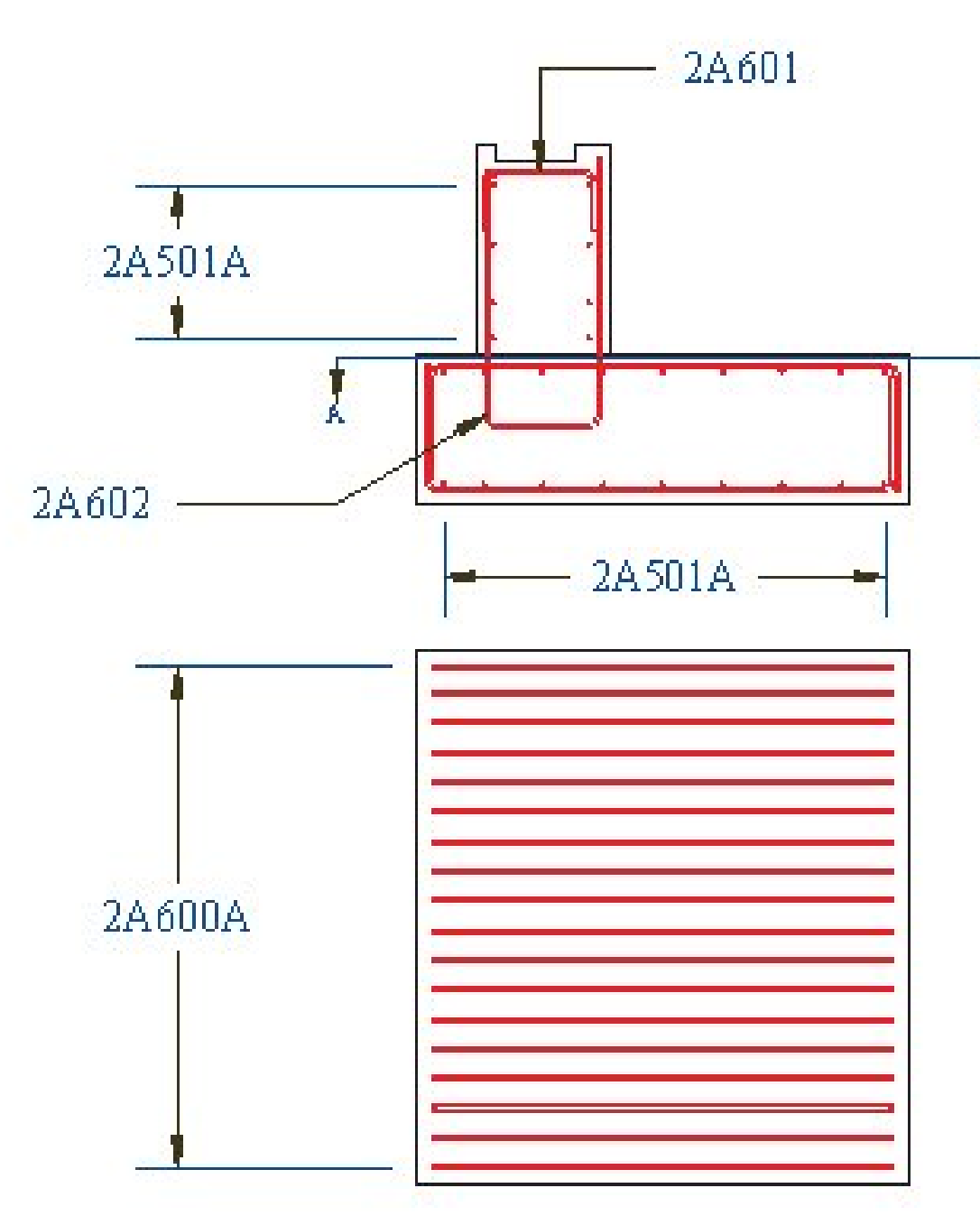


**NF1 Reinforcing Detail**



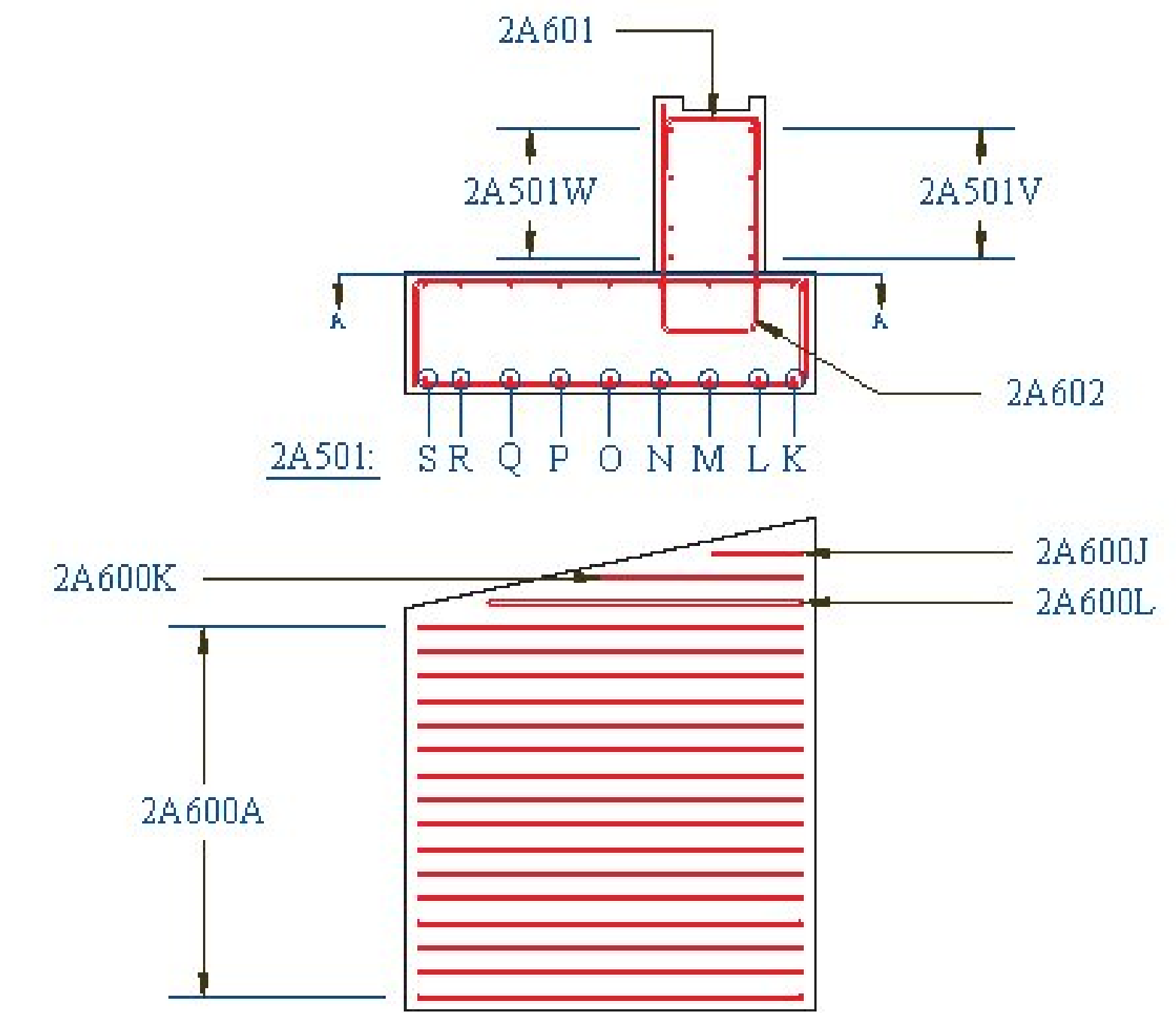
Section A-A

**NF2-NF15 Reinforcing Detail**



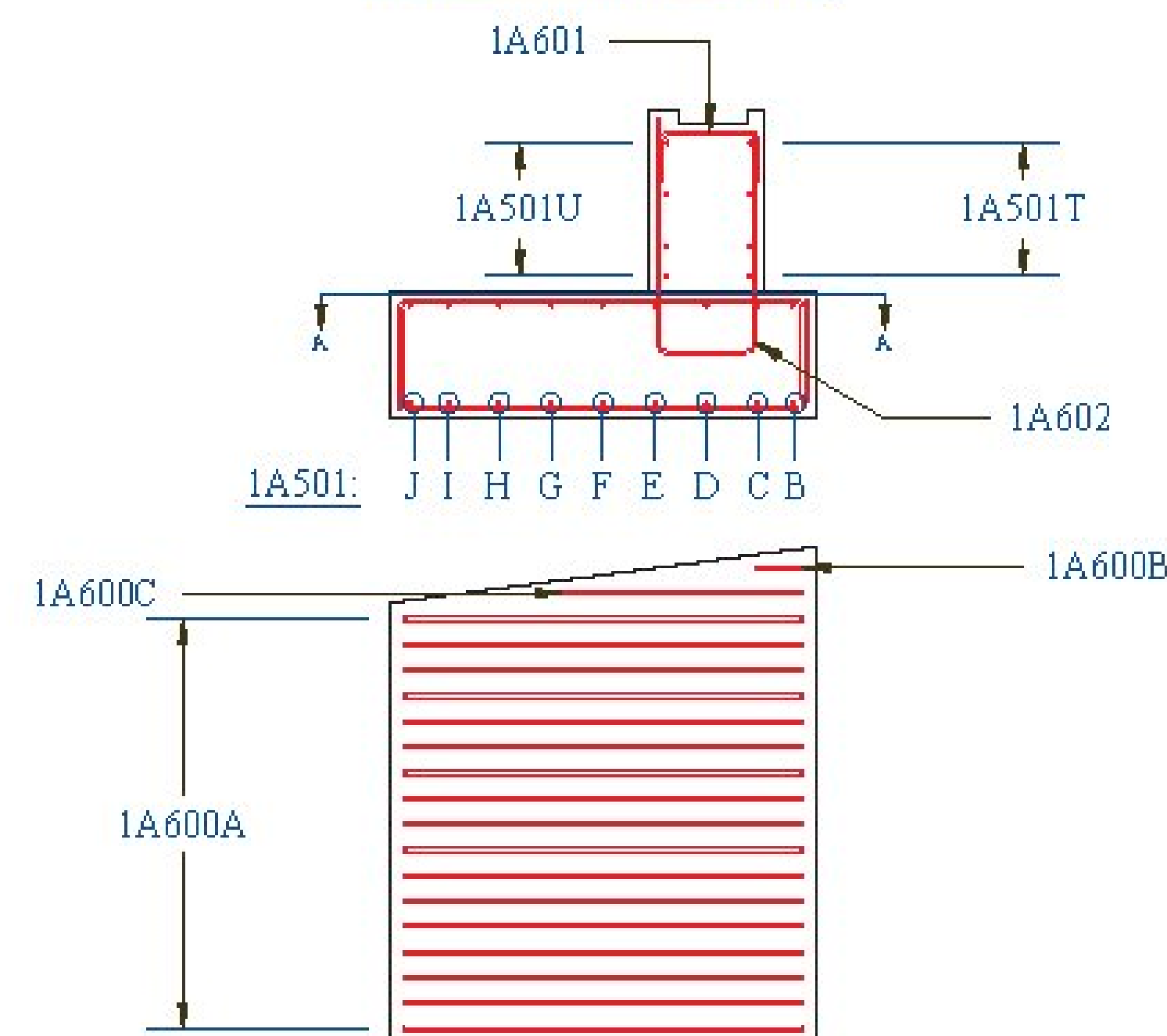
Section A-A

**NF16 Reinforcing Detail**



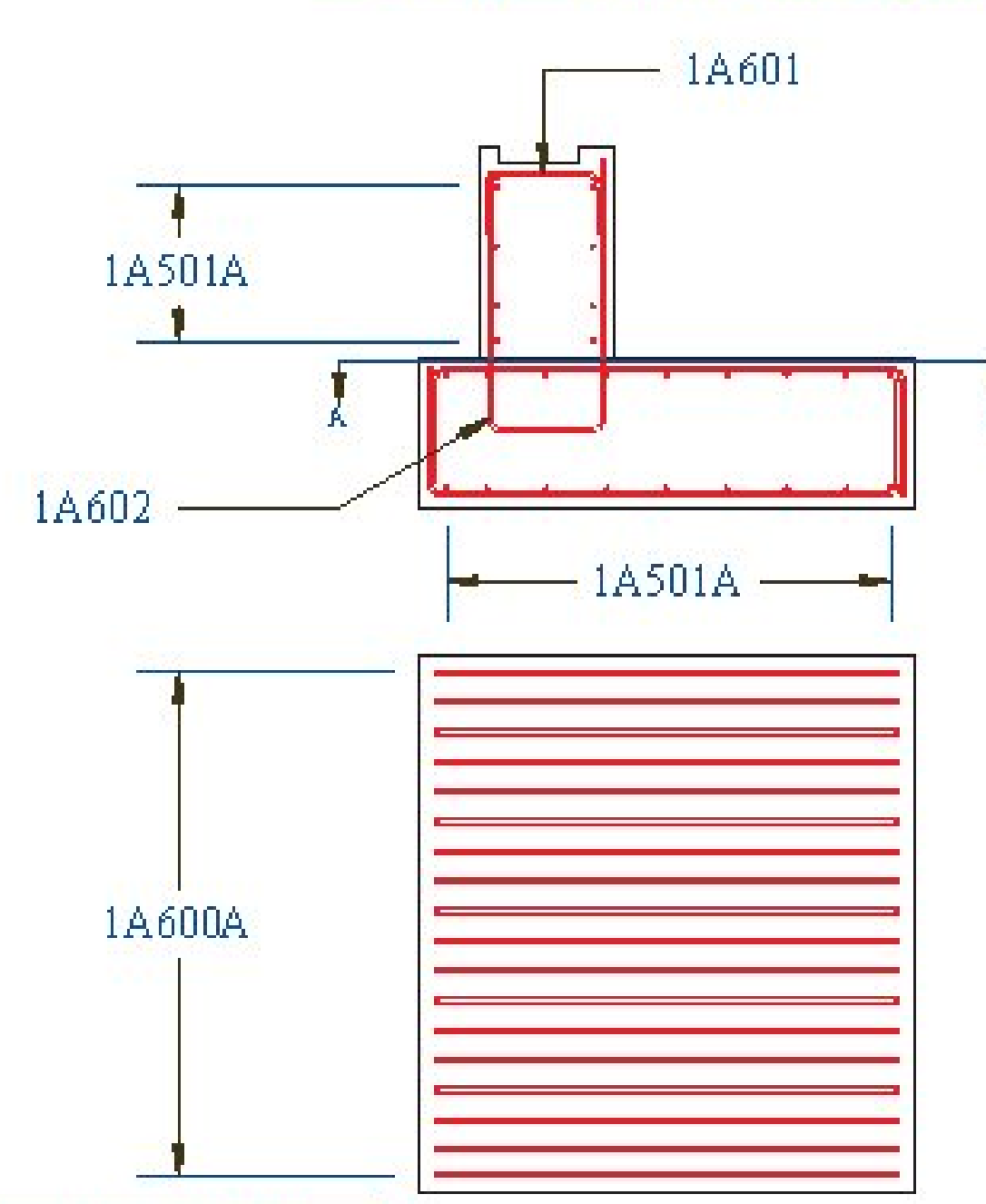
Section A-A

**SF1 Reinforcing Detail**



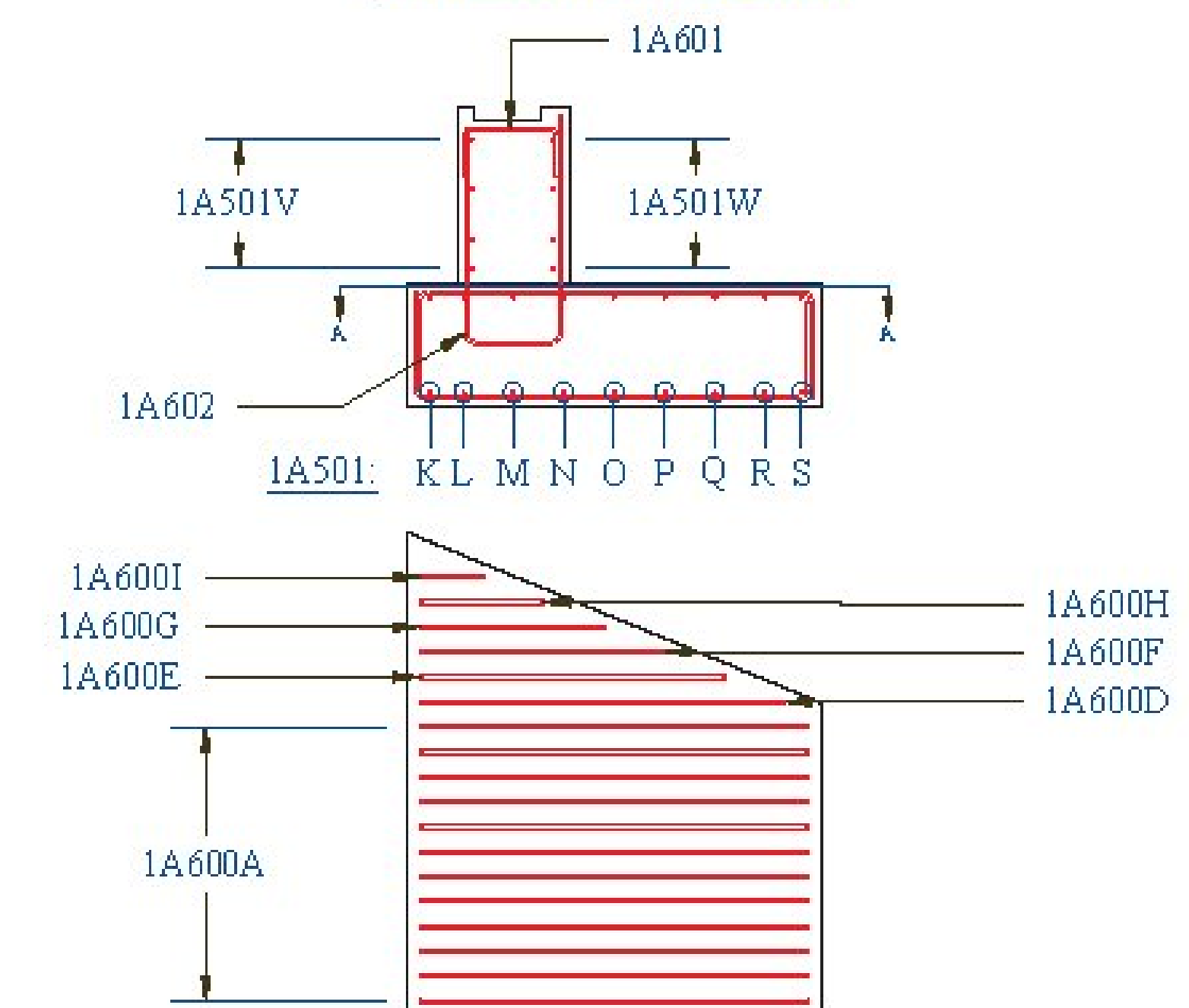
Section A-A

**SF2-SF15 Reinforcing Detail**



Section A-A

**SF16 Reinforcing Detail**



Section A-A

**TYLIN INTERNATIONAL**  
 The clamped documents are hereby:  
 Approved  
 Approved as noted  
 Rejected and resubmit  
 See handwritten for additional information as applicable.  
 This certificate is for general performance of design concept only. Any deviation from the plan or specification on site is not to be held by the Contractor has not been reviewed. Review by the Engineer shall not relieve the Contractor of the contractual responsibility for any error or deviation from the contract requirements.  
 Josh Olund 08/03/2016  
 Reviewer Date

CONTRACTORS VISPE:

Vermont Agency of Transportation  
**RECEIVED**  
 CK'D BY Ty Lin OK'D BY KMH  
 August 2, 2016  
 RESUBMIT No Approved  
 BY Joe Higgins DATE 08/03/2016

PRECAST CONCRETE BOX CULVERT SHOP DRAWINGS (SDI JOB #17682)

SUPERVISOR: E. Barendse  
 DETAILER: I. ADAMS  
 CHECKER: E. Barendse

PROJECT NAME: DUXBURY  
 PROJECT #: BF 013-4(47)  
 LOCATION: DUXBURY, VT

INSTALLER:  
 J.A. MCDONALD  
 585 Gilman Rd  
 Lyndon Ctr, VT 05850  
 07/29/16

FABRICATOR:  
 193 INDUSTRIAL AVE.  
 WILLISTON, VT 05495  
 Ph: (802) 658-0201



REINFORCING

7\_OF\_12