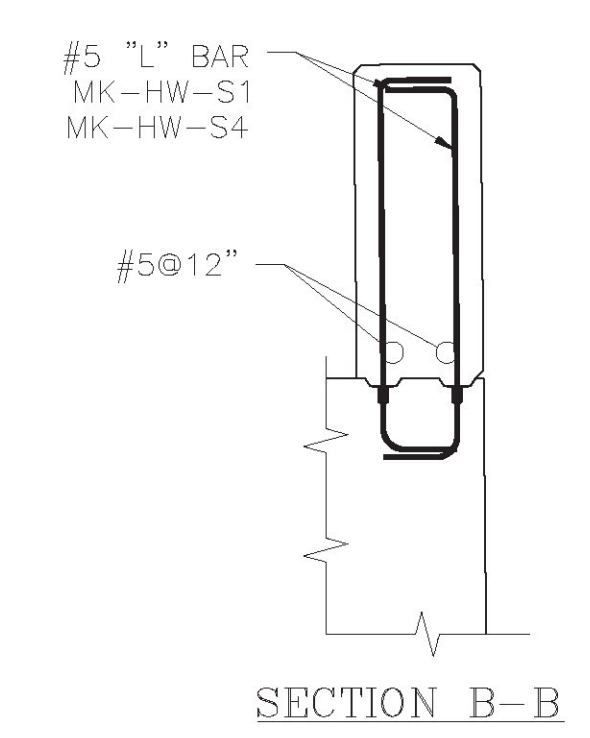
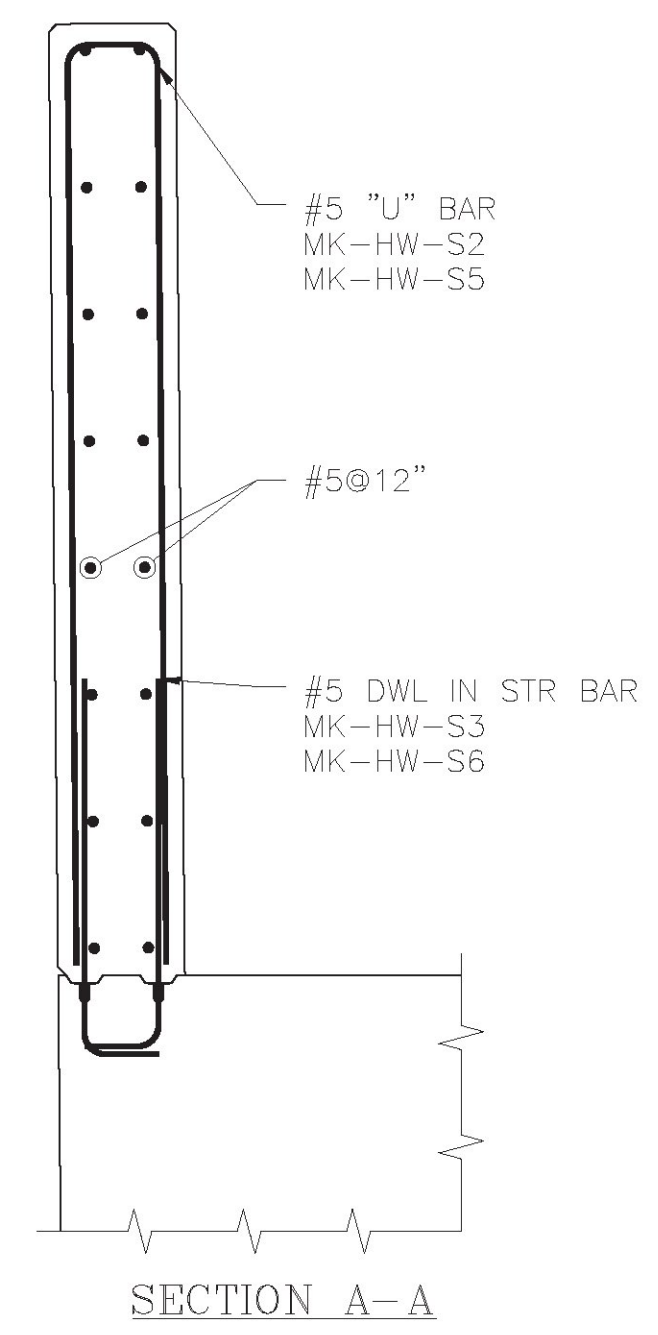


INLET HW2 REINFORCING SCHEDULE				
BAR MARK	TYPE	SIZE/SPACING	CUT LENGTH	# OF PCS
MK-HW-S1	BENT	#5@10"	1'-4 1/8" TO 3'-7 1/2"	21
MK-HW-S2	BENT	#5@10"	6'-11 1/2" TO 14'-9 1/4"	10
MK-HW-S3	STRAIGHT DWL IN	#5	3'-2"	20

OUTLET HW1 REINFORCING SCHEDULE				
BAR MARK	TYPE	SIZE/SPACING	CUT LENGTH	# OF PCS
MK-HW-S4	BENT	#5@10"	1'-6 1/2" TO 3'-0 3/4"	27
MK-HW-S5	BENT	#5@10"	5'-8 1/2" TO 13'-7 1/2"	11
MK-HW-S6	STRAIGHT DWL IN	#5	3'-2"	22

ALL REBAR TO BE EPOXY COATED

ALL REBAR TO BE EPOXY COATED



Vermont Agency of Transportation  
**RECEIVED**  
 CK'D BY TYLin OK'D BY KMH  
 September 14, 2016  
 RESUBMIT No Approved  
 BY Kristin Higgins DATE 09-14-2016

**TYLIN INTERNATIONAL**  
 The stamped documents are hereby:  
 Approved  
 Approved as noted  
 Review and resubmit.  
 See transmittal for additional information as applicable.  
 This review is for general conformance with design concept only. Any deviation from the plans or specifications not clearly noted by the Contractor has not been reviewed. Review by the Engineer shall not relieve the Contractor of the contractual responsibility for any errors or deviation from the contract requirements.  
 Josh Olund 09/13/2016  
 Reviewer Date

DESIGNED AND DETAILED BY:  
**DELTA**  
 ENGINEERS, ARCHITECTS, & LAND SURVEYORS  
 TEL: (807) 231-6600 FAX: (807) 231-6650

VT 100 Road Culvert  
 Duxbury, Vermont  
 Head Wall Details

Scale: AS SHOWN  
 Project No. 7347  
 Date: 02/2016  
 Designed by: DELTA  
 Drawn by: GSC  
 Checked by:

PREPARED FOR:  
**MICHELLE**  
 MICHELLE CORPORATION INC.  
 173 BUXTON INDUSTRIAL DRIVE PO BOX 870  
 HENNINGER, NH 03242  
 TEL: 603-425-7426 FAX: 603-425-7426

DWG NO.  
**S4.0**