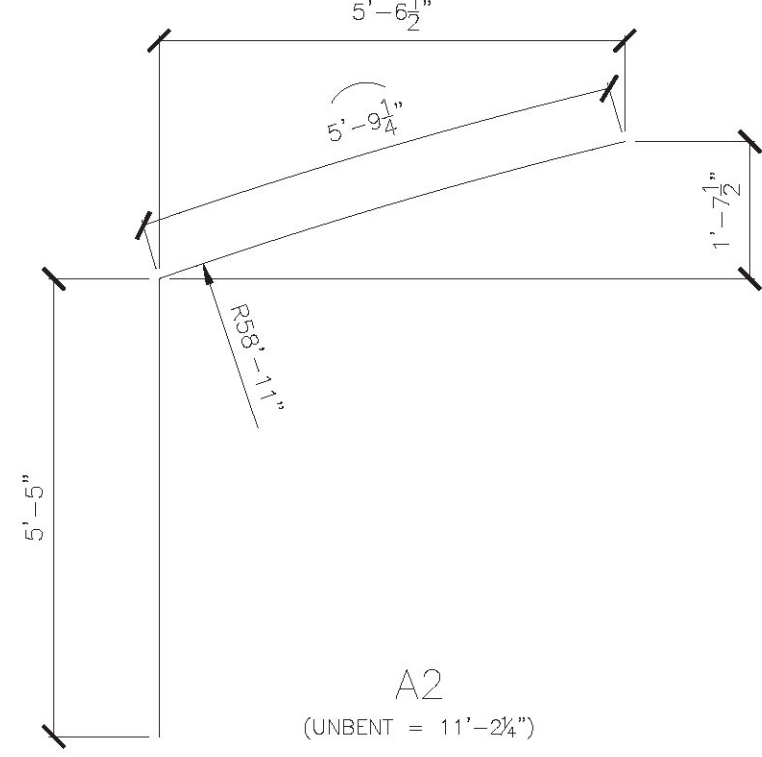
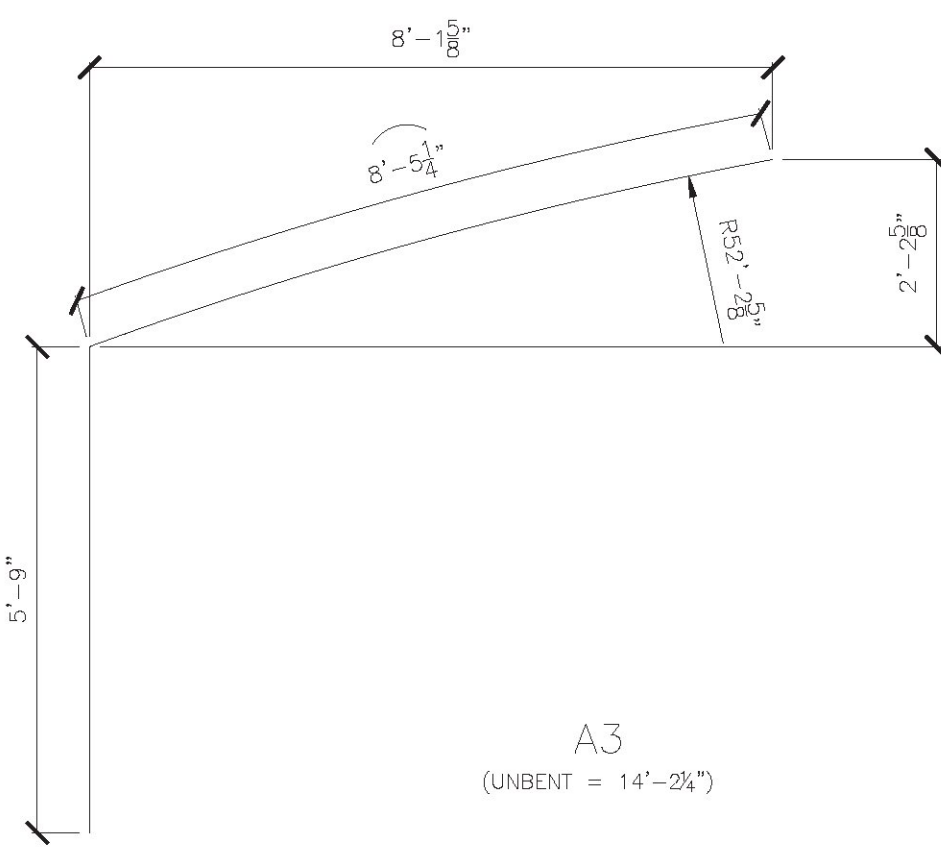


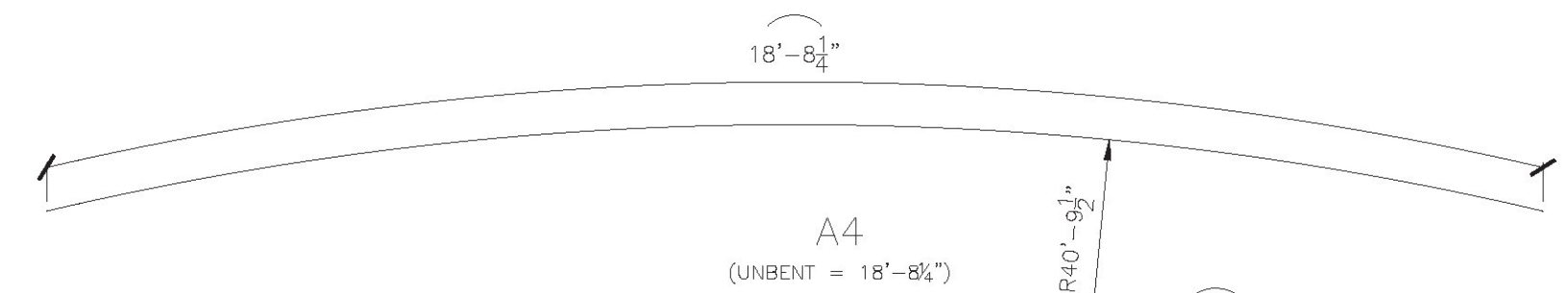
A1
(UNBENT = 22'-3 3/4")



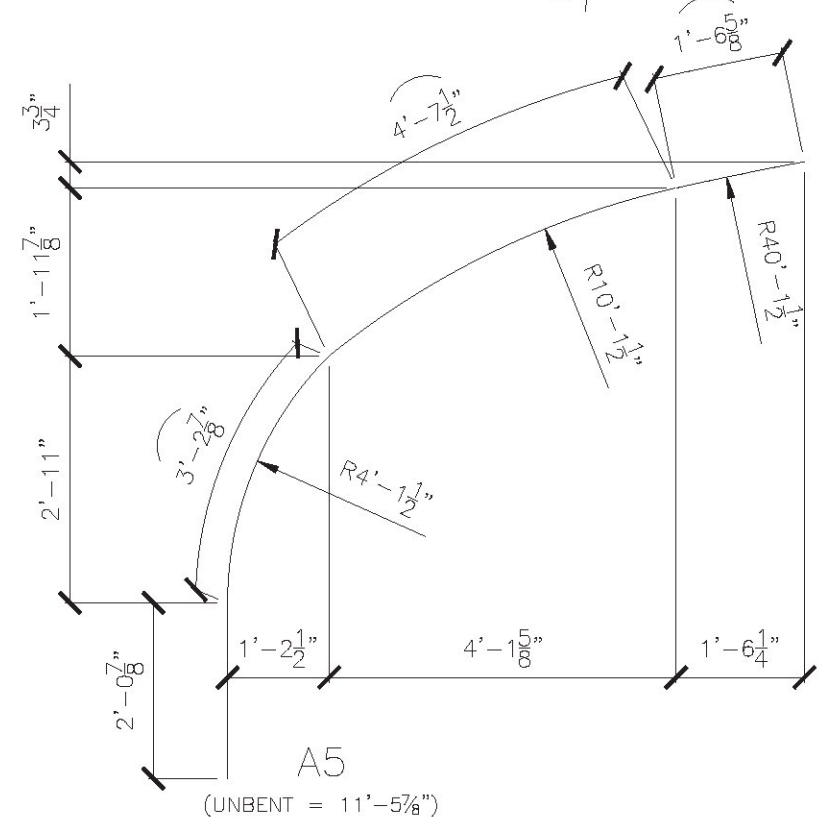
A2
(UNBENT = 11'-2 1/4")



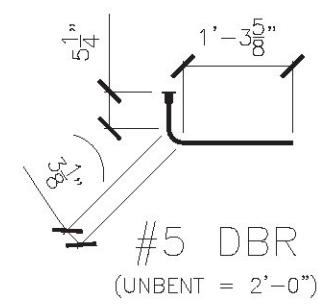
A3
(UNBENT = 14'-2 1/4")



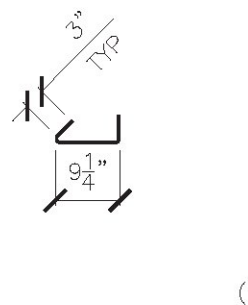
A4
(UNBENT = 18'-8 1/4")



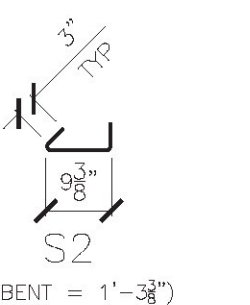
A5
(UNBENT = 11'-5 3/4")



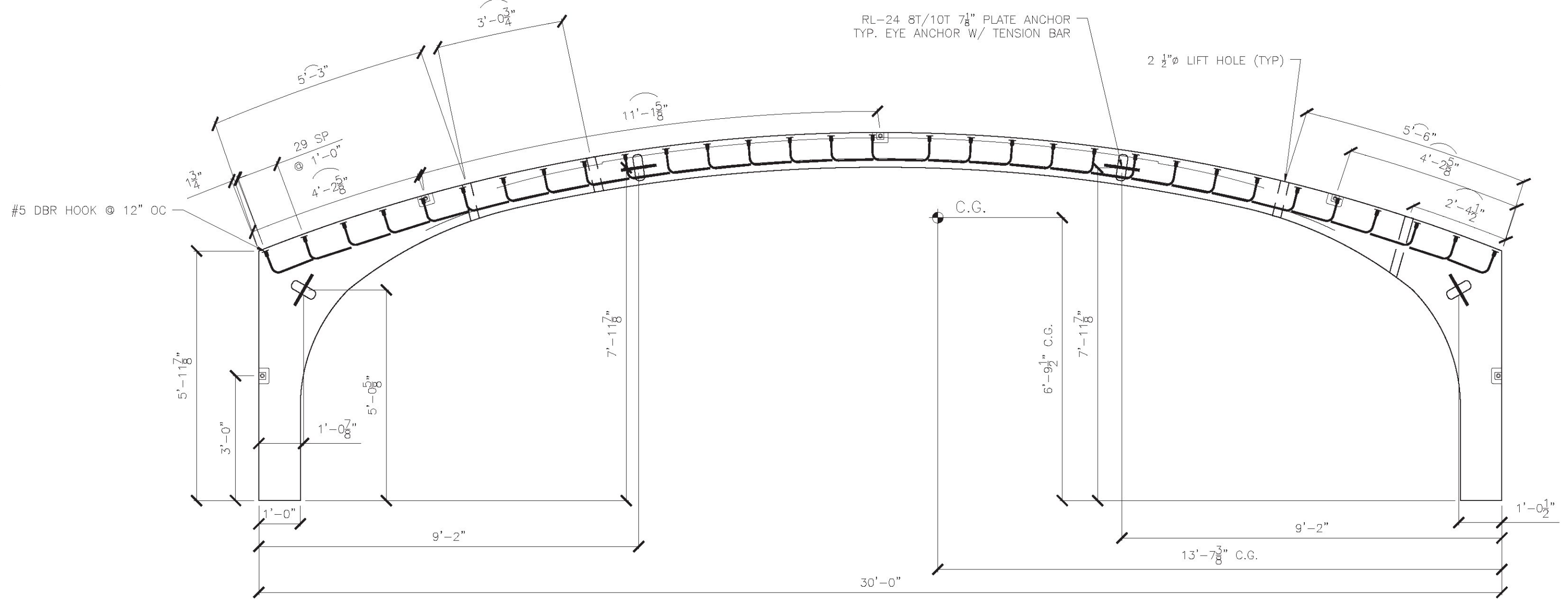
#5 DBR
(UNBENT = 2'-0")



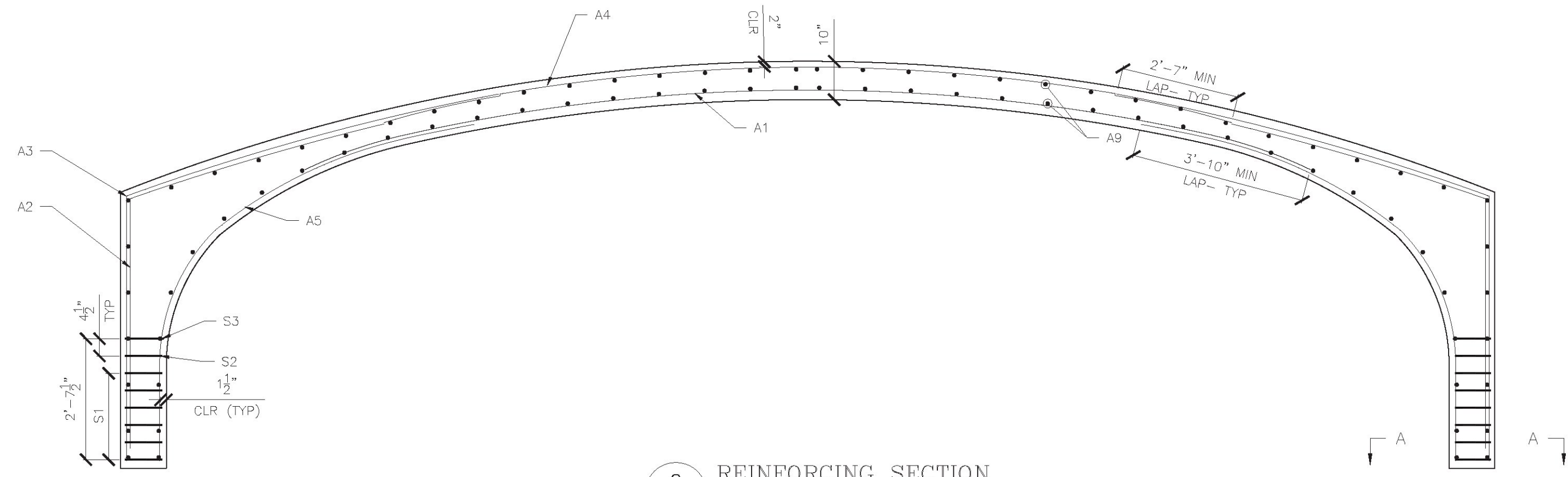
S2
(UNBENT = 1'-3 3/4")



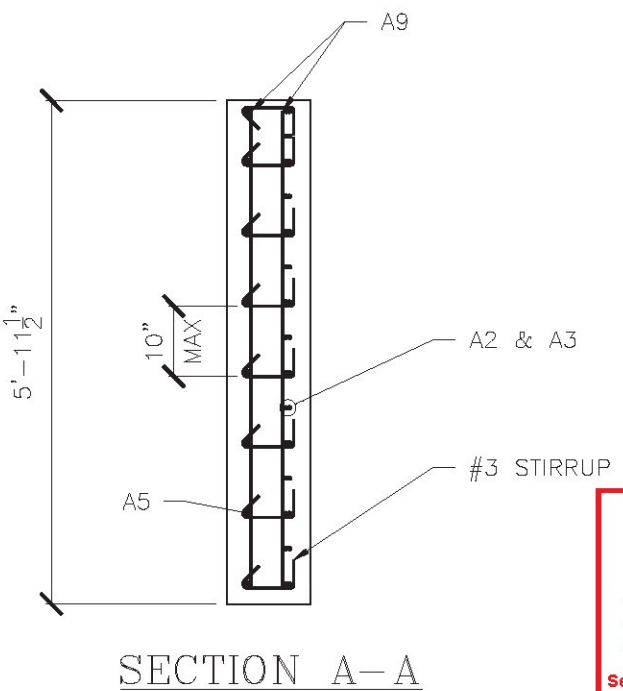
S3
(UNBENT = 1'-3 3/4")



1 ELEVATION VIEW
S2.0 3/8" = 1'-0"
AC-1 SHOWN, AC-3 SIMILAR



2 REINFORCING SECTION
S2.0 3/8" = 1'-0"



SECTION A-A

Vermont Agency of Transportation
RECEIVED
CK'D BY TYLin OK'D BY KMH
September 14, 2016
RESUBMIT No Approved
BY Kristin Higgins DATE 09-14-2016

TYLIN INTERNATIONAL
The stamped documents are hereby:
 Approved as noted
 Revised and resubmit
See transmittal for additional information as applicable.
This review is for general conformance with design concept only. Any deviation from the plans or specifications not clearly noted by the Contractor has not been reviewed. Review by the Engineer shall not relieve the Contractor of the contractual responsibility for any errors or deviation from the contract requirements.
Josh Olund 09/13/2016
Reviewer Date

REINFORCING SCHEDULE				
BAR MARK	TYPE	SIZE/SPACING	CUT LENGTH	# OF PCS
A1	RADIUS	#6@5"	22'-3 3/4"	15
A2	L	#5@5"	11'-2 1/4"	30
A3	L	#6@5"	14'-2 1/4"	30
A4	RADIUS	#4@10"	18'-8 1/4"	8
A5	L	#6@10"	11'-5 7/8"	8/LEG
A9	STRAIGHT	#4@12"	5'-7 1/2"	84
S1	STIRRUP	#3@4 1/2"	1'-3 3/4"	48/LEG
S2	STIRRUP	#3@4 1/2"	1'-3 3/8"	8/LEG
S3	STIRRUP	#3@4 1/2"	1'-3 3/4"	8/LEG

DESIGNED AND DETAILED BY:
DELTA
ENGINEER, ARCHITECT, & LAND SURVEYORS
660 HOOPER ROAD, ENDWELL, NY 13760-1564
TEL (607) 551-6600 FAX (607) 521-6650

Scale: AS SHOWN
Checked by: [Signature]
Designed by: DELTA
Drawn by: CSC
Project No: 7347
Date: 02/16

VT 100 Road Culvert
Duxbury, Vermont
Culvert Section and Elevation

PREPARED FOR:
MICHE
MICHE CORPORATION, INC.
175 BUXTON AVENUE, SUITE 200
PHONE: 603-428-3218
FAX: 603-428-7426

DWG NO.
S2.0