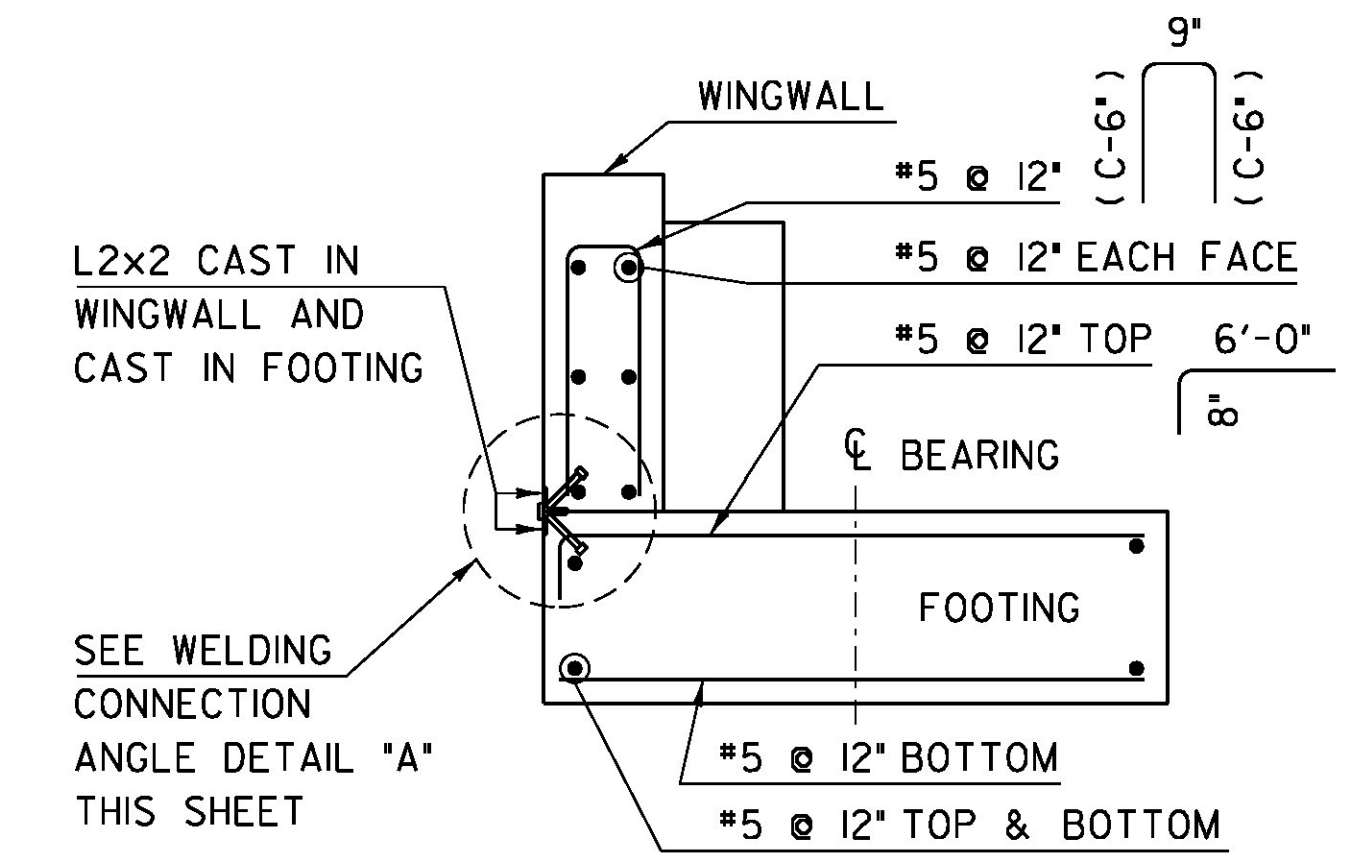


PRECAST FOUNDATION PLAN

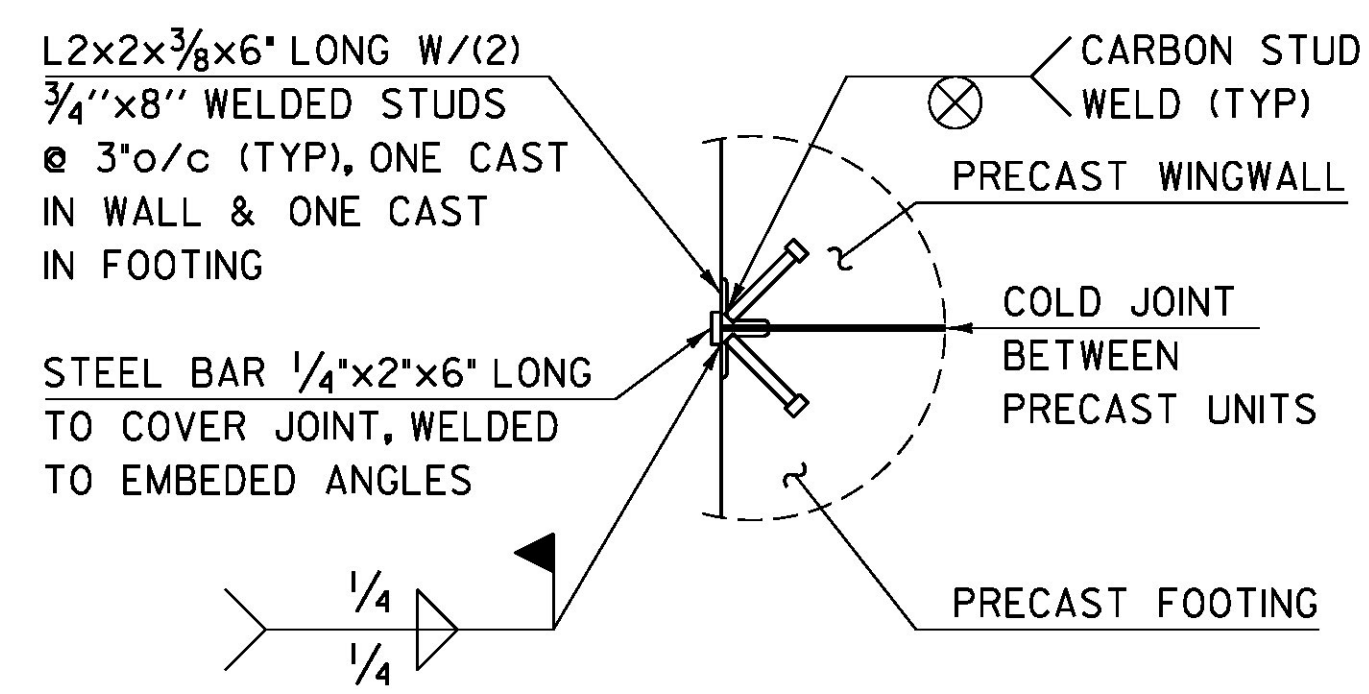
SCALE = 1/2" = 1'-0"

1.) FOUNDATION COMPONENTS MAY BE PRECAST AND ASSEMBLED AS SHOWN IN THESE DETAILS. DIMENSION AND DETAILS FOR THIS OPTION ARE SIMILAR TO THE CAST-IN-PLACE DETAILS. SEE SHEET 1, FOR NOTES AND DIMENSION TABLES.



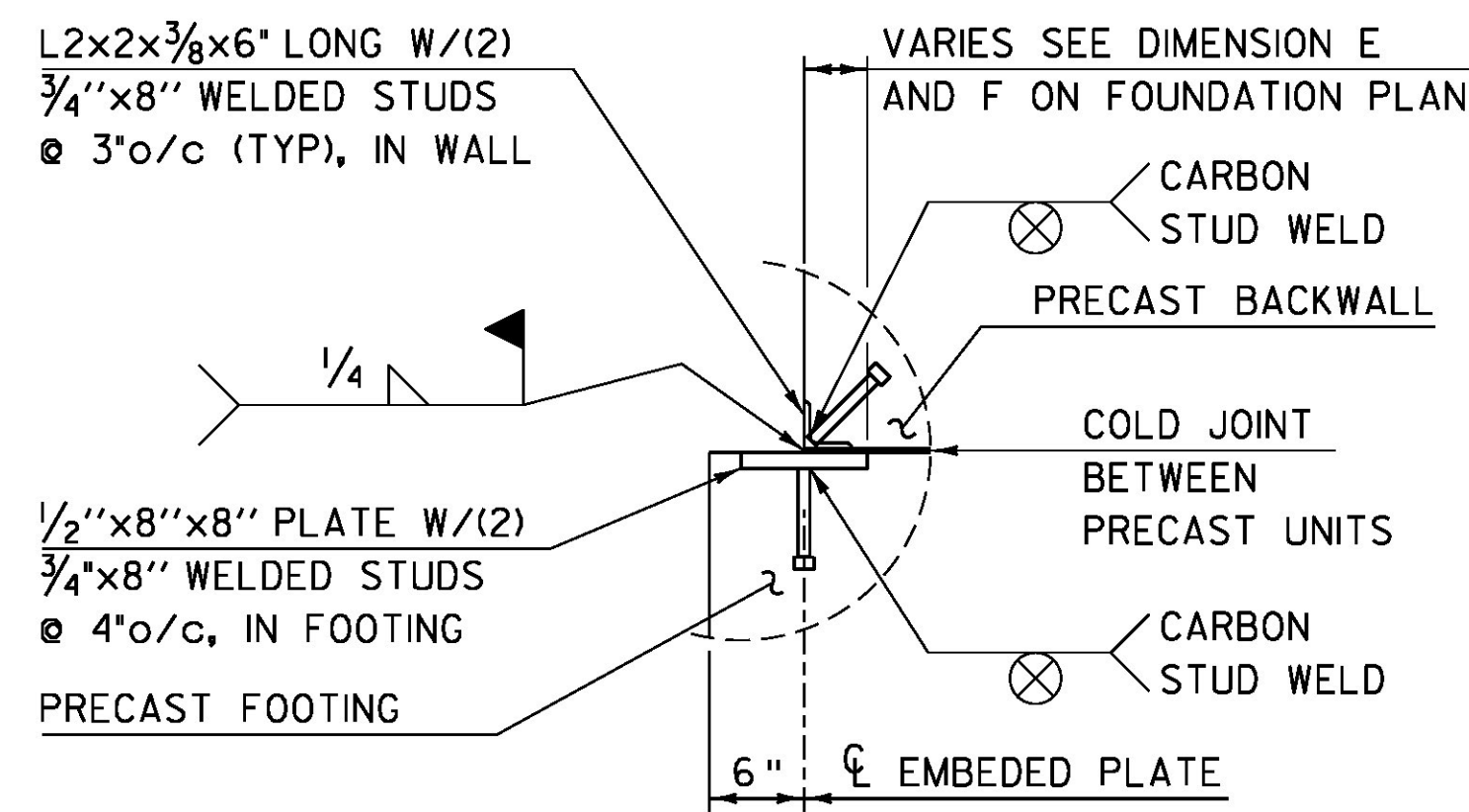
SECTION D-D PRECAST

SCALE = 1/2" = 1'-0"



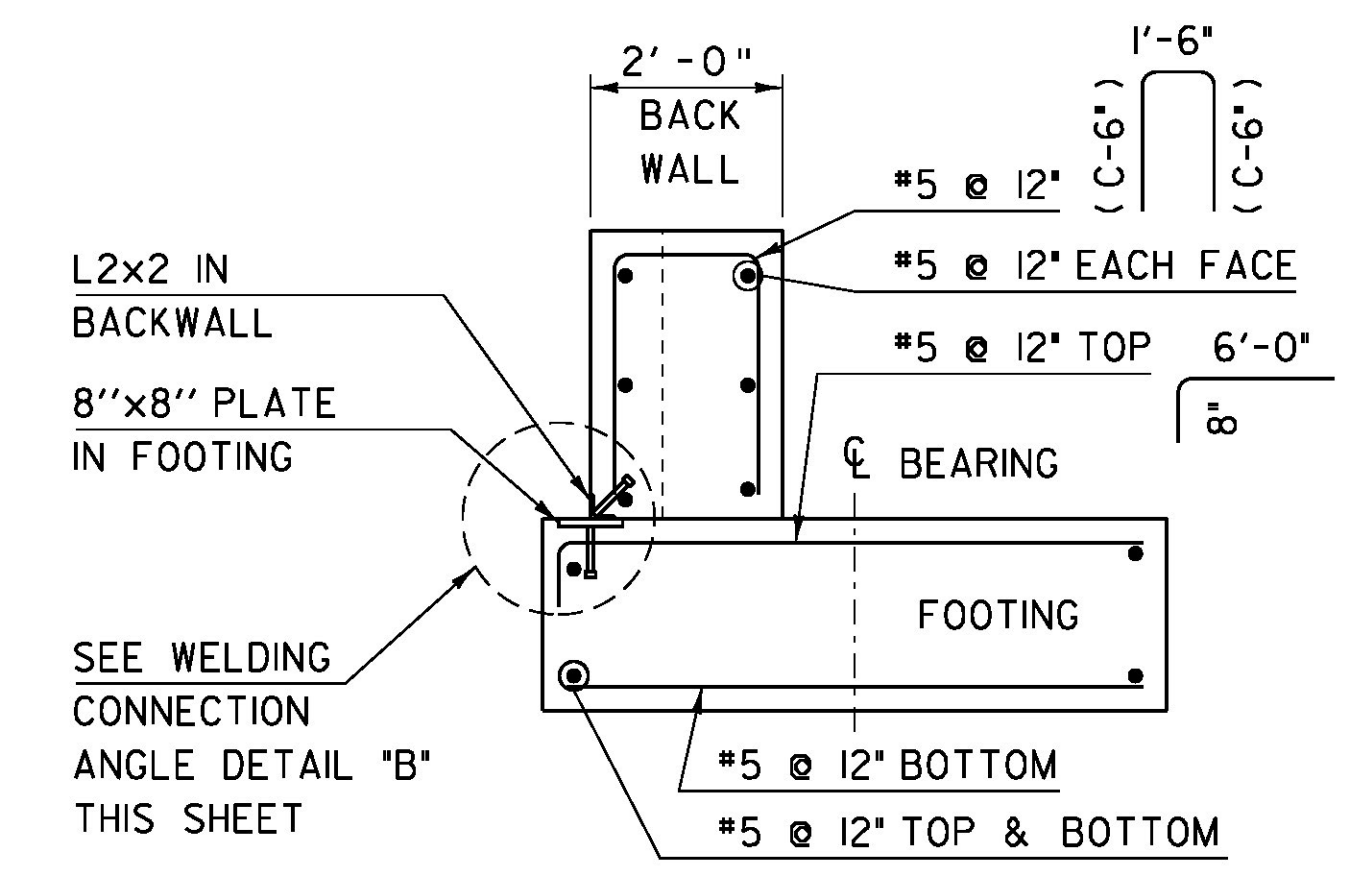
WELDING CONNECTION ANGLE DETAIL "A"

SCALE = 1" = 1'-0"



WELDING CONNECTION ANGLE DETAIL "B"

SCALE = 1" = 1'-0"



SECTION E-E PRECAST

SCALE = 1/2" = 1'-0"

REBAR NOTE:
3" CLEAR, UNLESS OTHERWISE SPECIFIED ON THE PLANS.
2'-2" BAR LAP UNLESS OTHERWISE SPECIFIED ON THE PLANS.

PROJECT NAME: MABEY BRIDGE FOUNDATION	PLOT DATE: 02-SEP-2011
PROJECT NUMBER:	DRAWN BY: MCL
FILE NAME: MaybeyDetails.dgn	CHECKED BY: VAOT
PROJECT LEADER: VAOT	SHEET 2 OF 2
DESIGNED BY: VAOT	
MABEY FOUNDATION DETAIL SHEET 2	