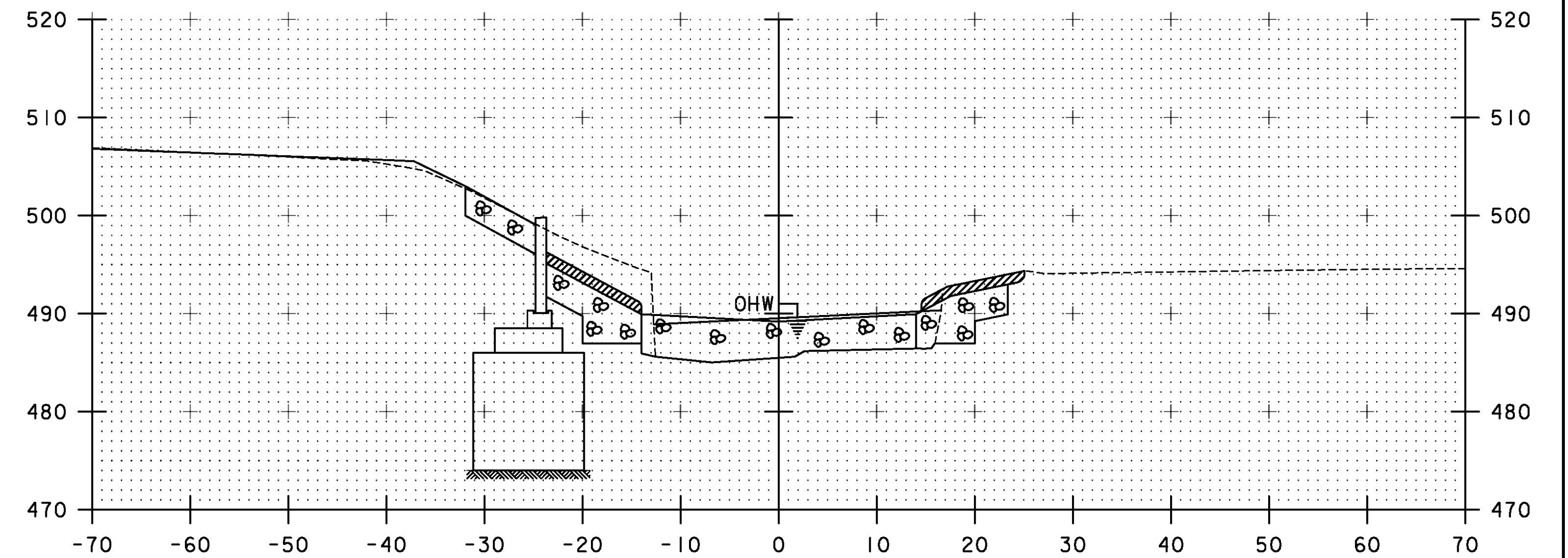


21+50

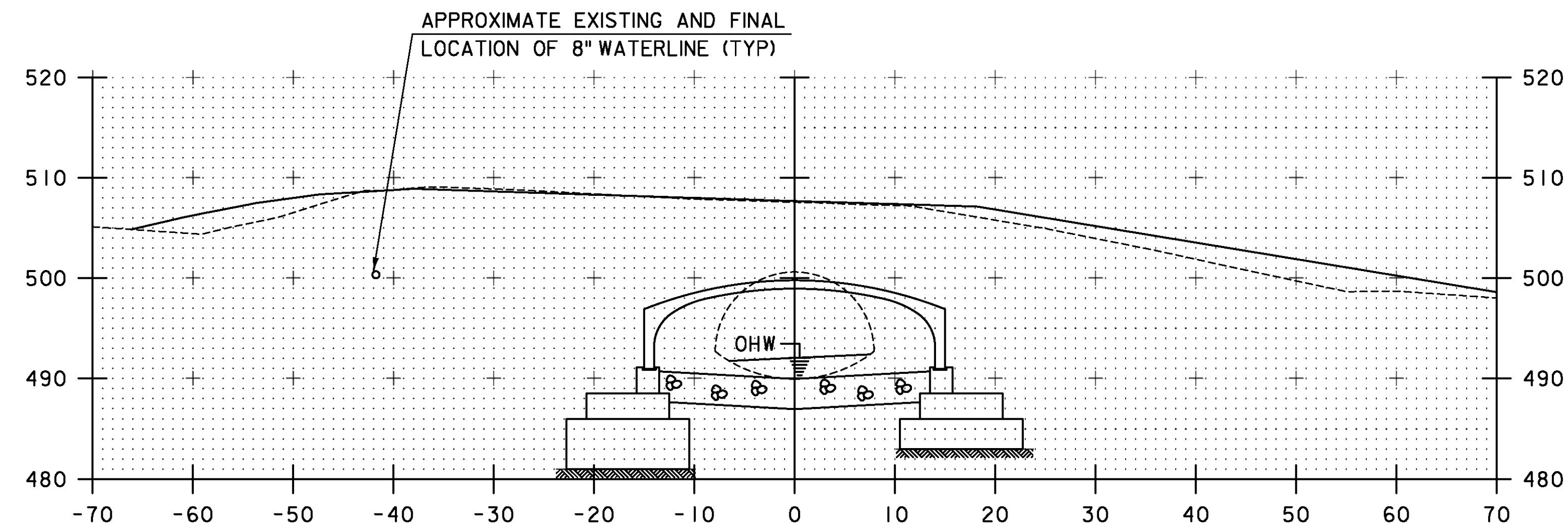


STA 21+79.00, LT  
 BEGIN UNCLASSIFIED CHANNEL EXCAVATION  
 BEGIN STONE FILL TYPE III  
 BEGIN GRUBBING MATERIAL

22+00

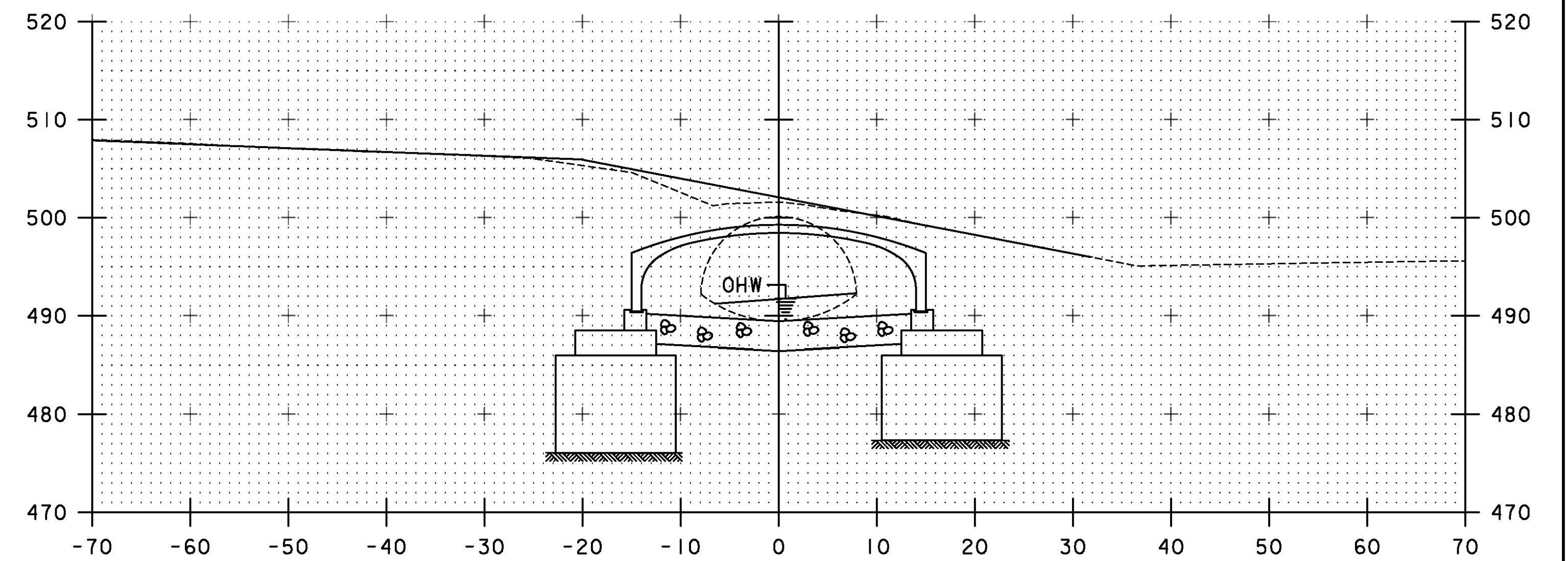
STA 21+75.71, RT  
 BEGIN STONE FILL TYPE III  
 BEGIN GRUBBING MATERIAL

STA 21+79+00, RT  
 BEGIN UNCLASSIFIED CHANNEL EXCAVATION

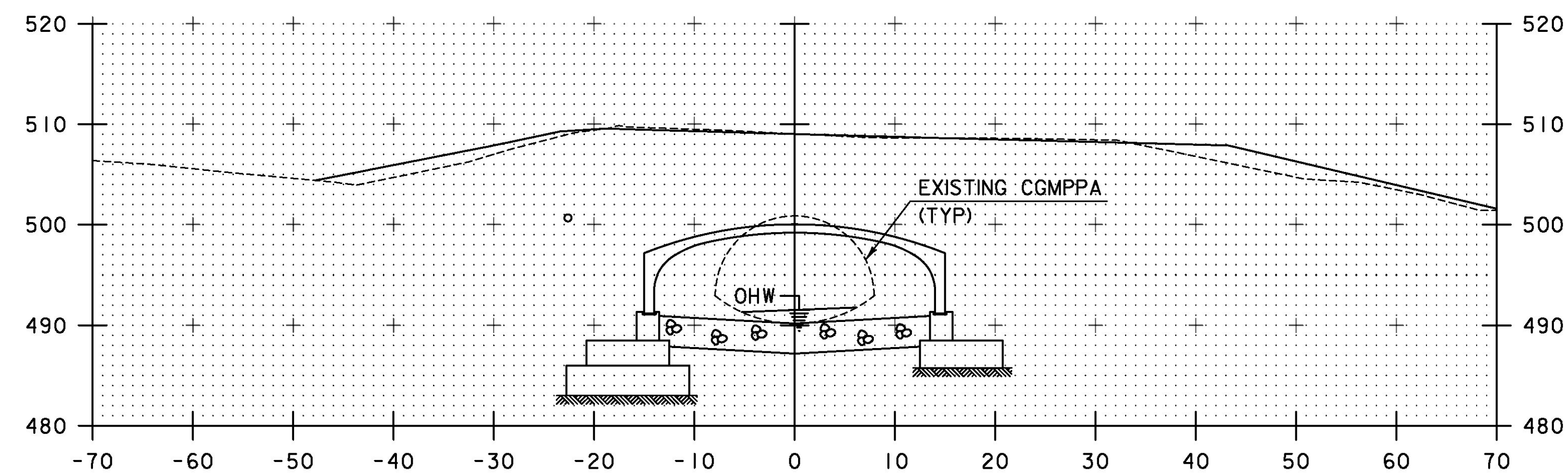


APPROXIMATE EXISTING AND FINAL  
 LOCATION OF 8" WATERLINE (TYP)

21+25



21+75



EXISTING CGMPPA  
 (TYP)

21+00

STA. 21+00 TO STA. 22+00

TYLIN INTERNATIONAL

PROJECT NAME: DUXBURY  
 PROJECT NUMBER: BF 013-4(47)

FILE NAME: z16b001xschan.dgn  
 PROJECT LEADER: J. OLUND  
 DESIGNED BY: B. TOOTHAKER  
 CHANNEL SECTIONS 2

PLOT DATE: 5/23/2016  
 DRAWN BY: B. TOOTHAKER  
 CHECKED BY: D. MYERS  
 SHEET 55 OF 69