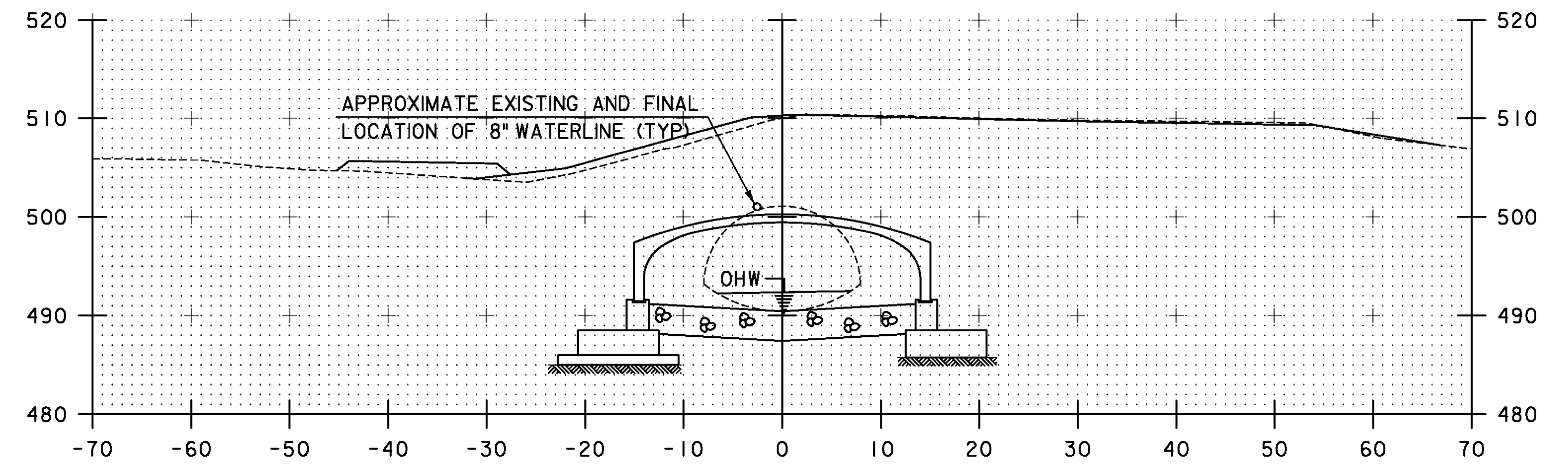


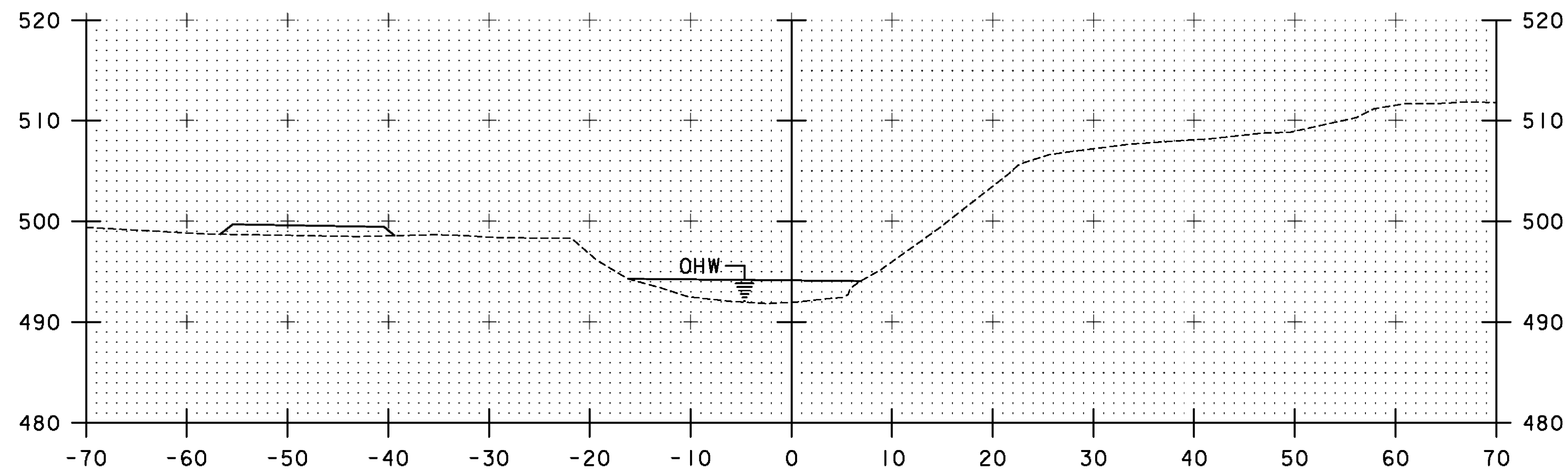
STA 20+01.34, LT
 BEGIN SPECIAL PROVISION (STONE FILL,
 STREAM BED MATERIAL) (TYPE III)
 BEGIN UNCLASSIFIED CHANNEL EXCAVATION
~~BEGIN GEOTEXTILE UNDER STONE FILL~~
 BEGIN STONE FILL TYPE III
 BEGIN GRUBBING MATERIAL

20+25

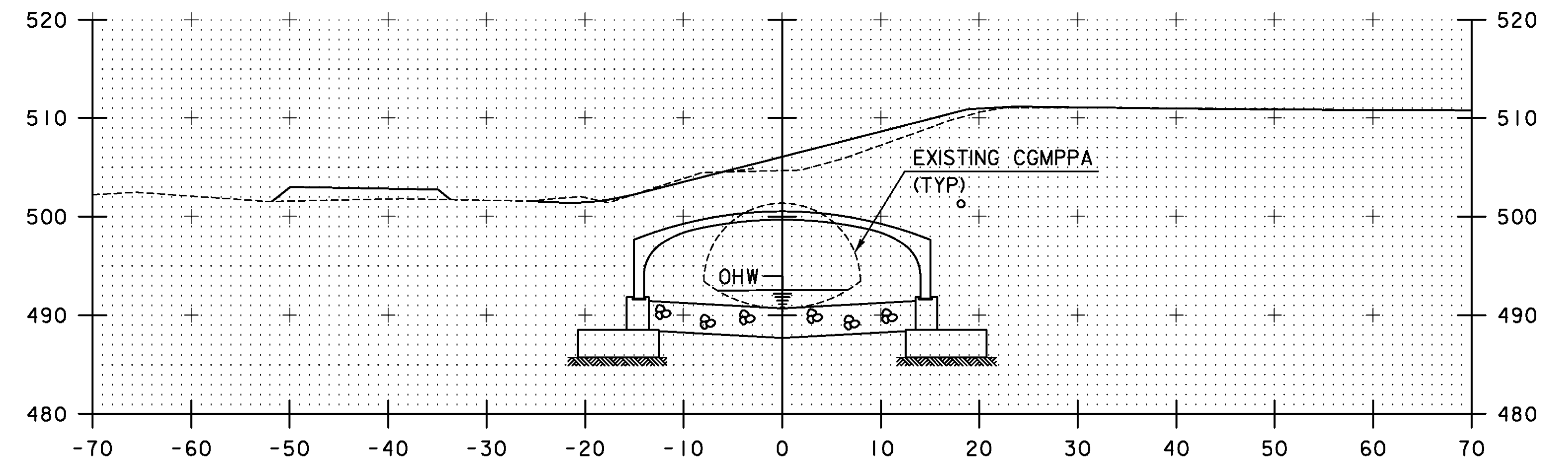
STA 20+07.70, RT
 BEGIN SPECIAL PROVISION (STONE FILL,
 STREAM BED MATERIAL) (TYPE III)
 BEGIN UNCLASSIFIED CHANNEL EXCAVATION
~~BEGIN GEOTEXTILE UNDER STONE FILL~~
 BEGIN STONE FILL TYPE III
 BEGIN GRUBBING MATERIAL



20+75



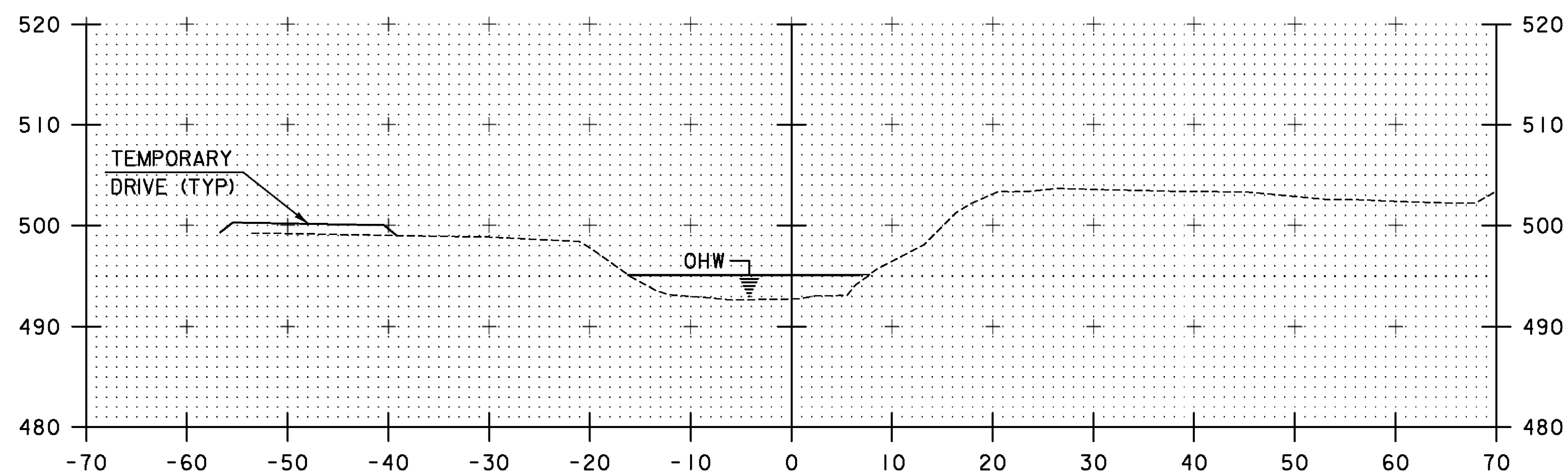
20+00



20+50

STA 20+42.21, LT
 END UNCLASSIFIED CHANNEL EXCAVATION
 END STONE FILL TYPE III
 END GRUBBING MATERIAL

STA 20+34.87, RT
 END UNCLASSIFIED CHANNEL EXCAVATION
 END STONE FILL TYPE III
 END GRUBBING MATERIAL



19+75

STA. 19+75 TO STA. 20+75

TYLIN INTERNATIONAL

PROJECT NAME: DUXBURY	PLOT DATE: 5/23/2016
PROJECT NUMBER: BF 013-4(47)	DRAWN BY: B. TOOTHAKER
FILE NAME: z16b00xschan.dgn	CHECKED BY: D. MYERS
PROJECT LEADER: J. OLUND	SHEET 54 OF 69
DESIGNED BY: B. TOOTHAKER	
CHANNEL SECTIONS I	