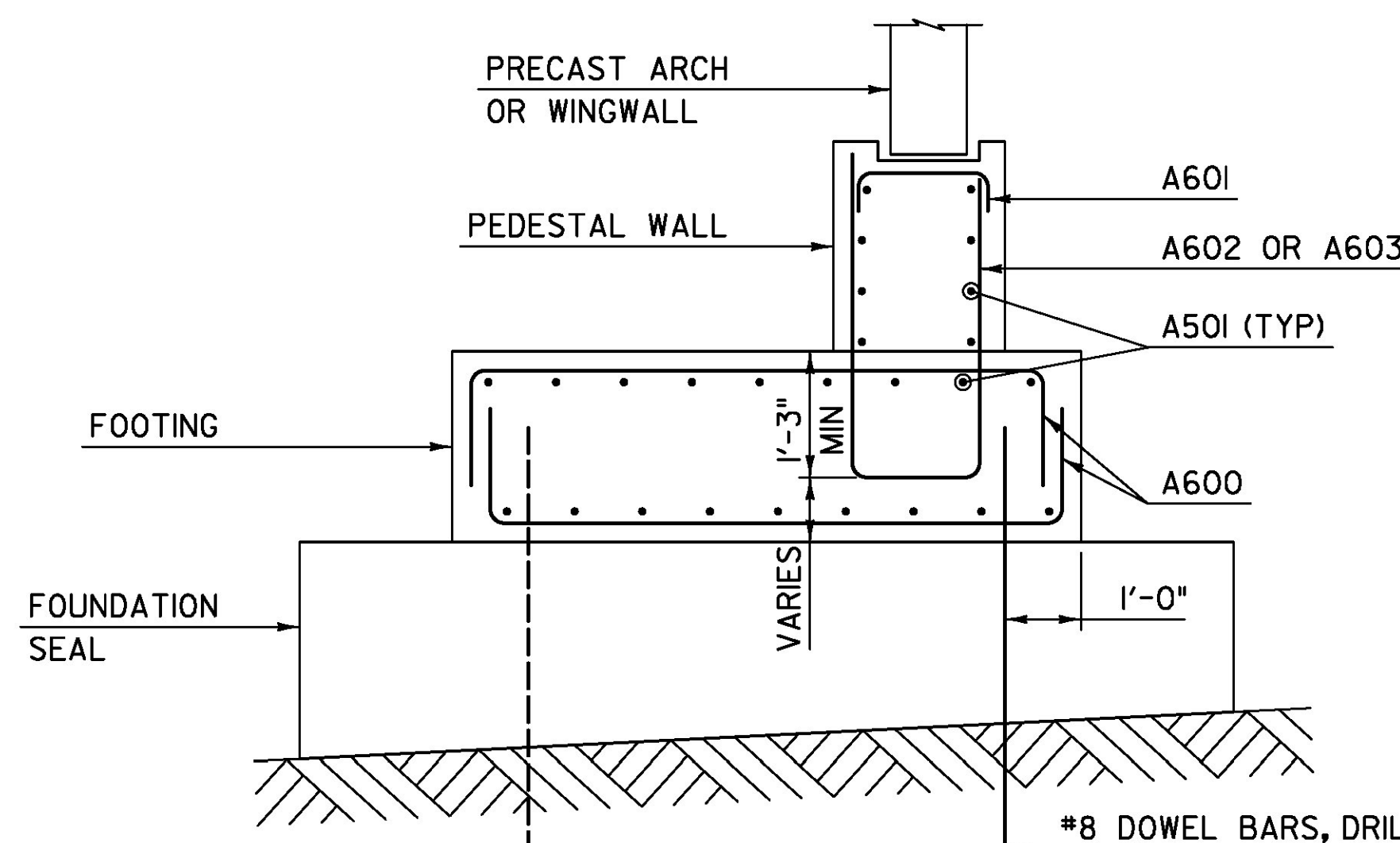


**ABUTMENT REINFORCEMENT PLAN**

SCALE 1/8" = 1'-0"  
(FOUNDATION SEALS NOT SHOWN)

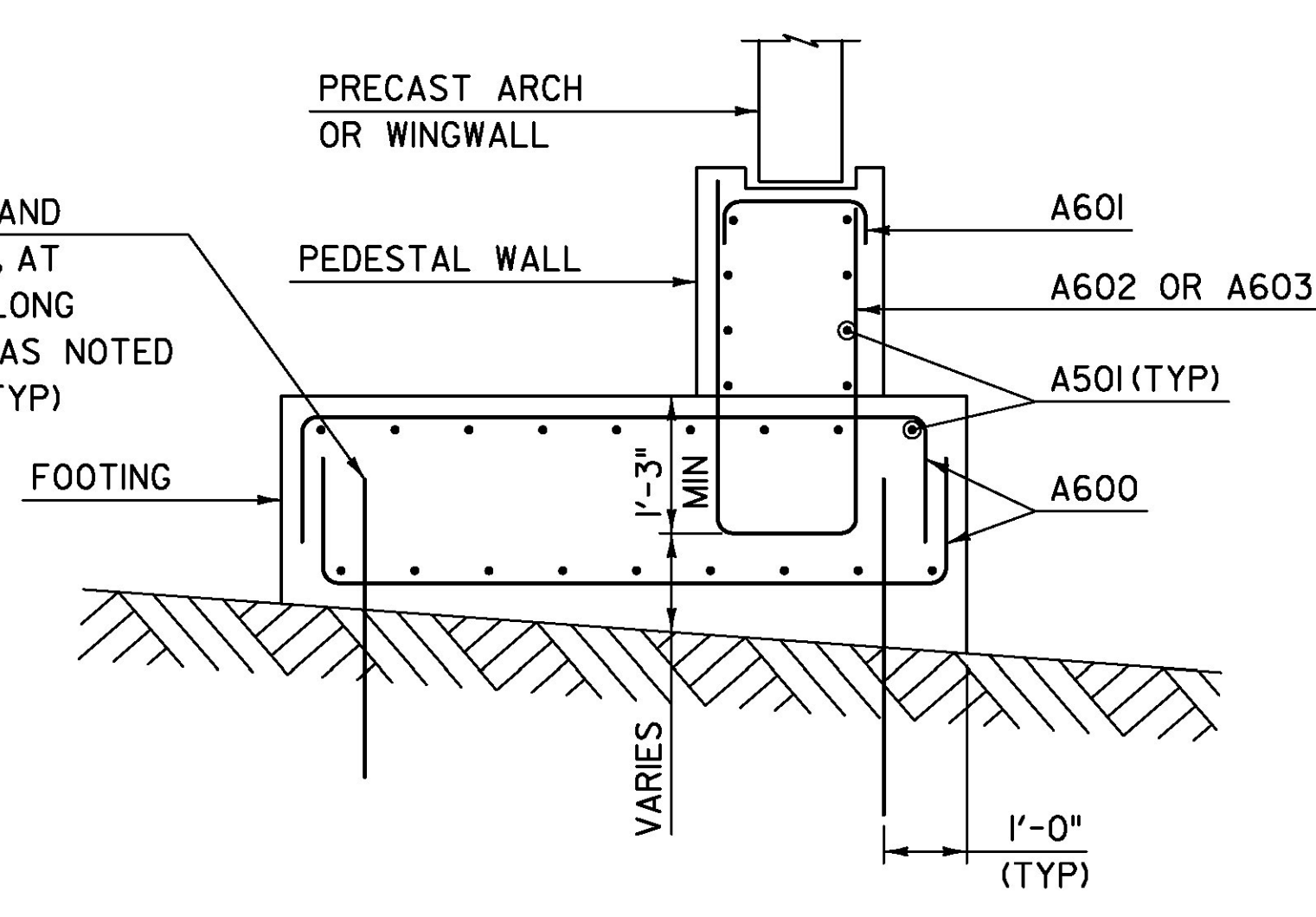
**NOTE:**  
 NF = NEAR FACE  
 FF = FAR FACE  
 EF = EACH FACE  
 3" CLEAR, UNLESS OTHERWISE SPECIFIED ON THE PLANS  
 2'-9" BAR LAP UNLESS OTHERWISE SPECIFIED ON THE PLANS



**SECTION WITH FOUNDATION SEAL**

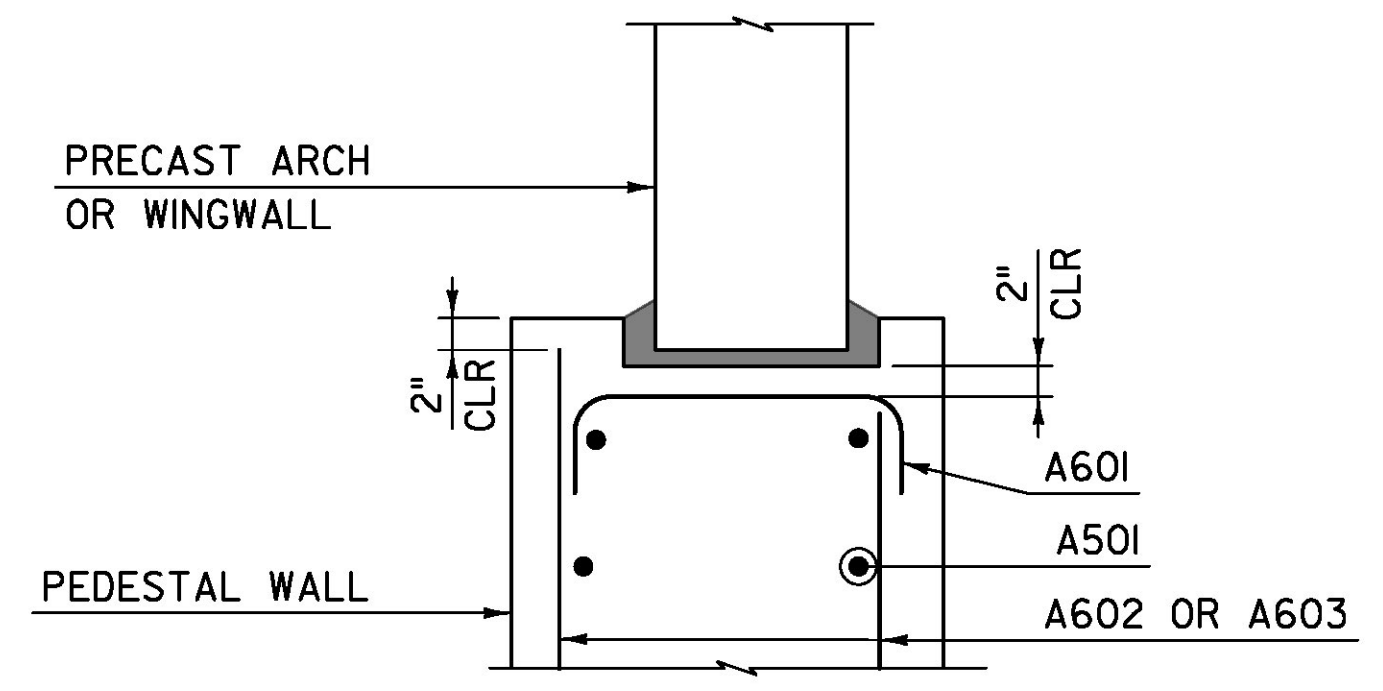
SCALE: 1/2" = 1'-0"

OMIT DOWEL BARS WHERE FOUNDATION SEAL IS GREATER THAN 2 FT THICK



**SECTION WITHOUT FOUNDATION SEAL**

SCALE: 1/2" = 1'-0"



**PEDESTAL WALL TOP DETAIL**

(WINGWALL BARS NOT LABELED)  
SCALE 1" = 1'-0"

<b>TYLIN</b> INTERNATIONAL	PROJECT NAME: DUXBURY	PLOT DATE: 5/23/2016
	PROJECT NUMBER: BF 013-4(47)	DRAWN BY: S. MORGAN
	FILE NAME: z16b00ifndreInf.dgn	CHECKED BY: J. OLUND
	PROJECT LEADER: J. OLUND	DESIGNED BY: T. POULIN
	FOUNDATION REINFORCEMENT	SHEET 45 OF 69