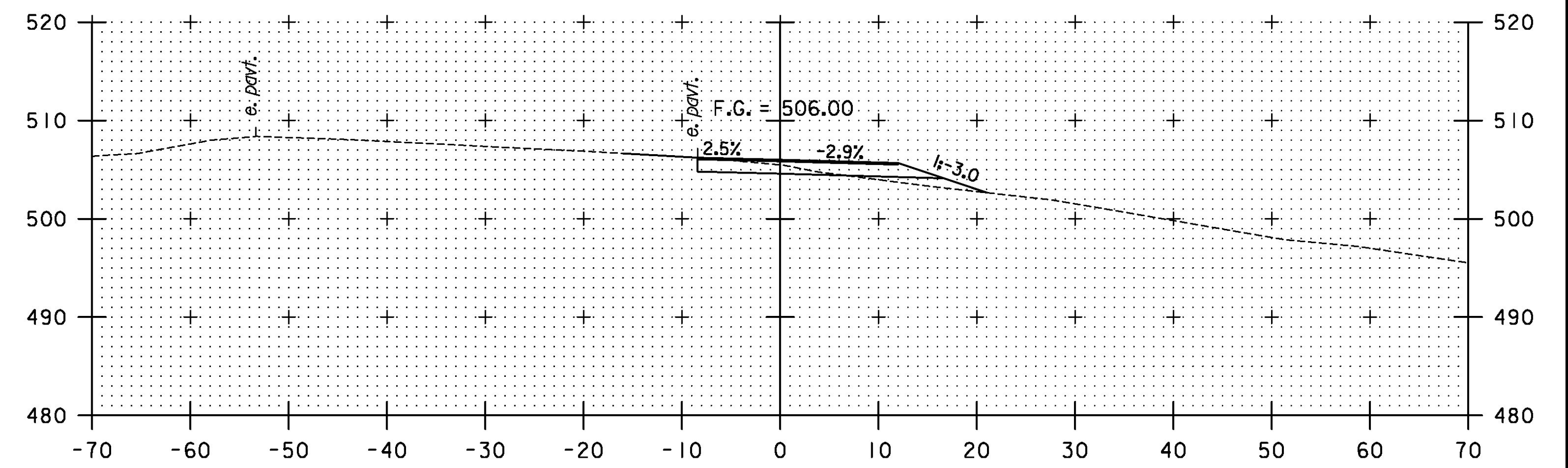
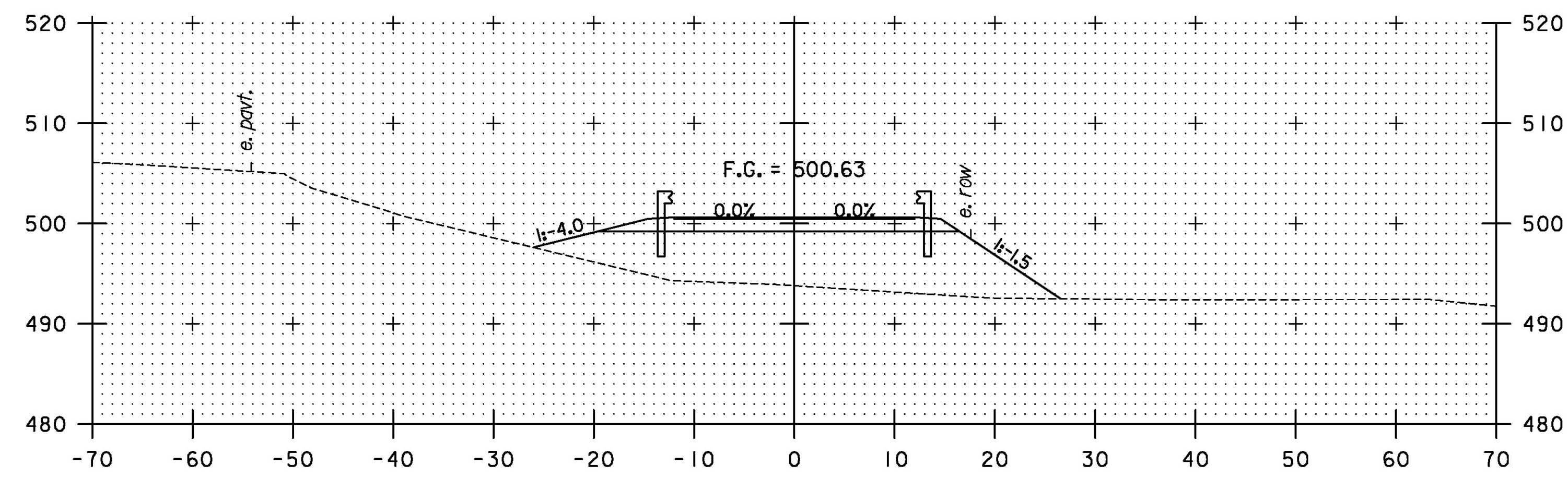


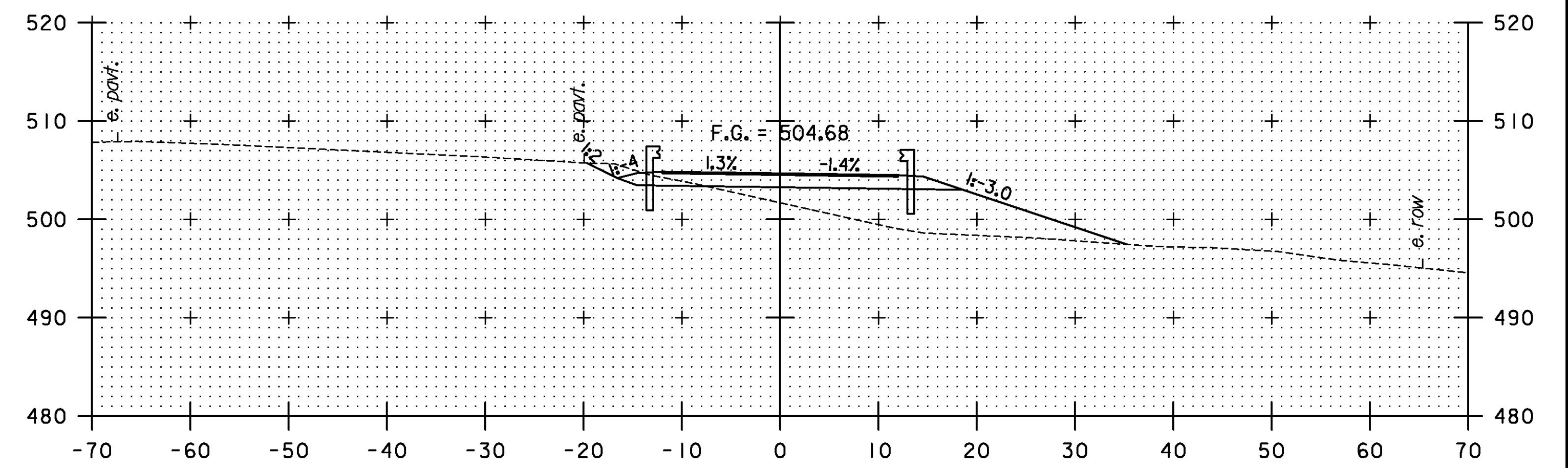
56+25



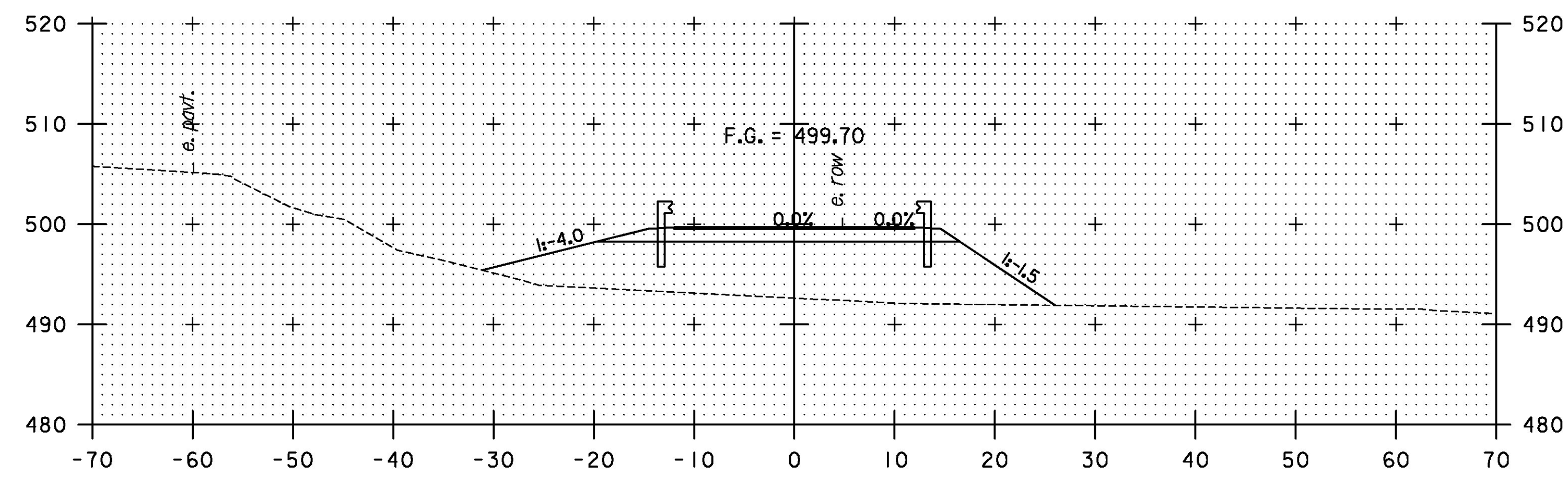
57+00



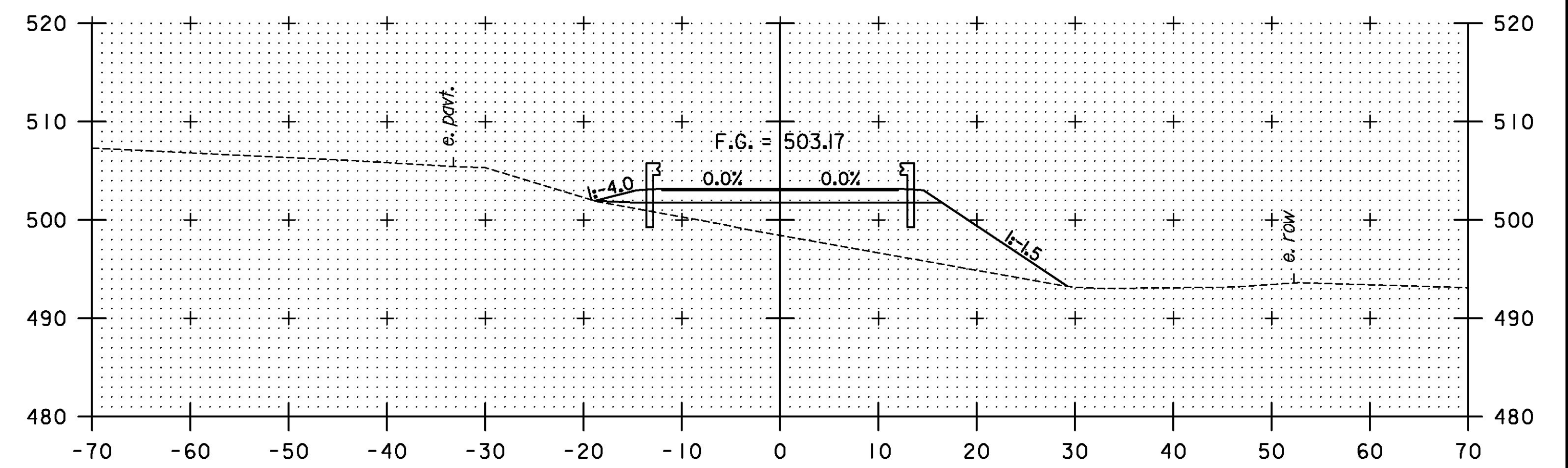
56+00



56+75



55+75



56+50

PROJECT NAME: DUXBURY	
PROJECT NUMBER: BF 013-4(47)	
FILE NAME: z16b001rdrwy_xs.dgn	PLOT DATE: 5/23/2016
PROJECT LEADER: J. OLUND	DRAWN BY: T. KELLEY
DESIGNED BY: T. KELLEY	CHECKED BY: J. HOWE
TEMPORARY ROADWAY CROSS SECTIONS 5	SHEET 25 OF 69

TYLIN INTERNATIONAL

STA. 55+75 TO STA. 57+00