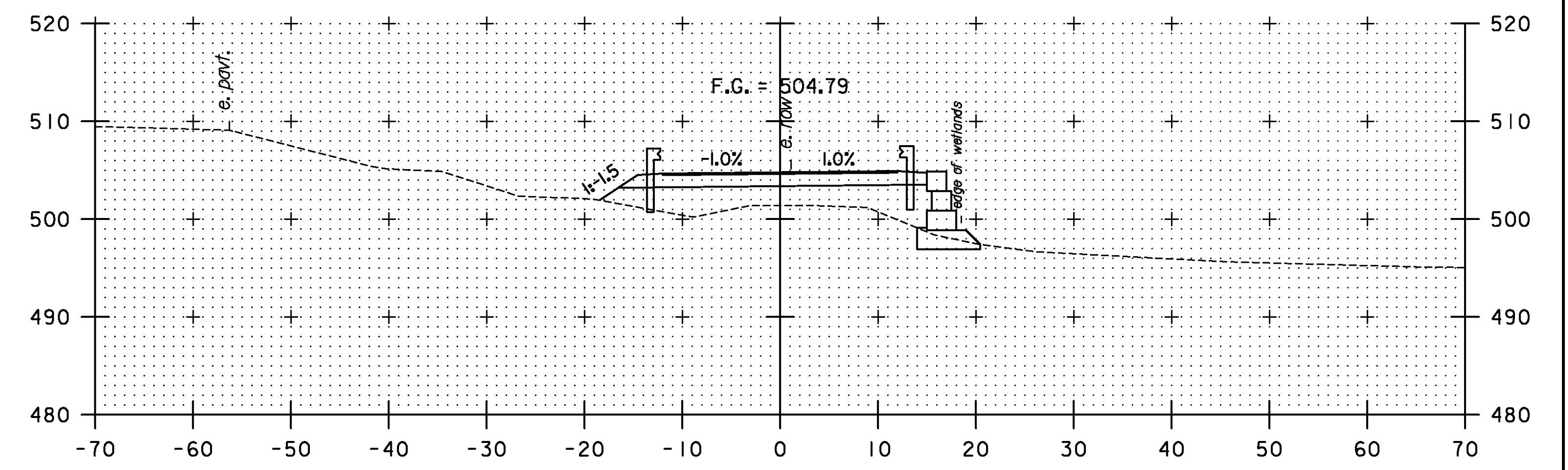
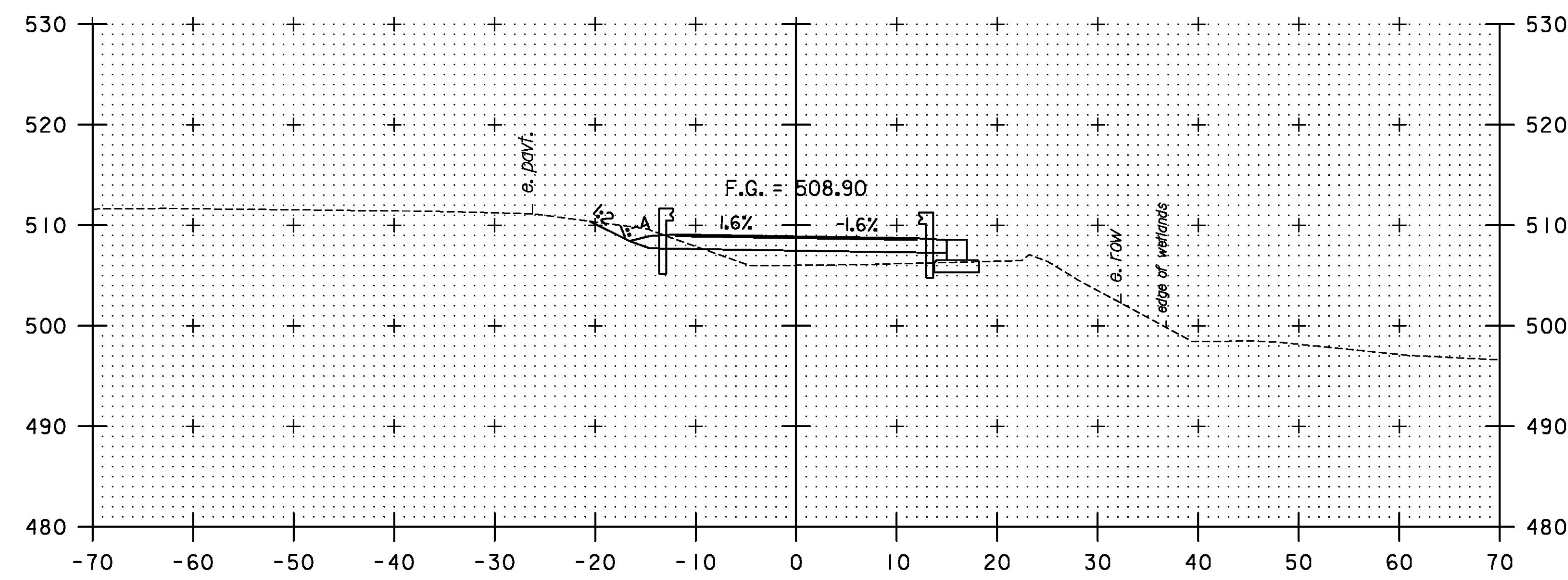


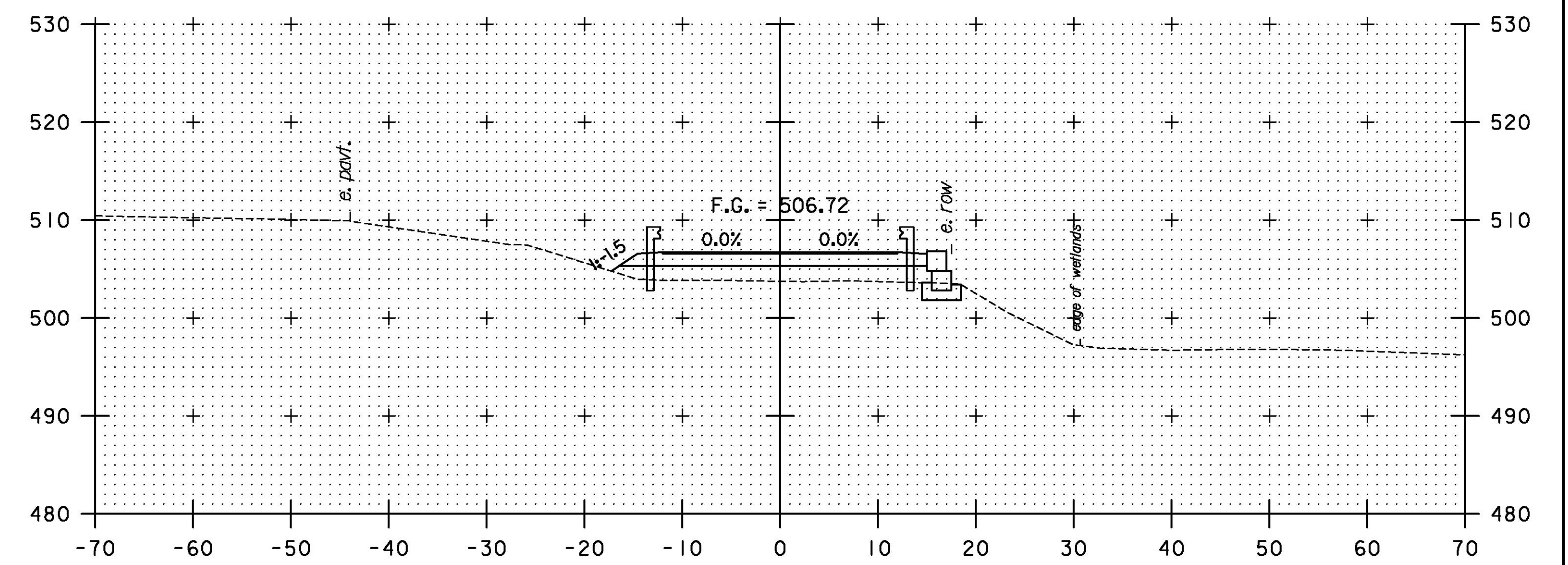
53+25



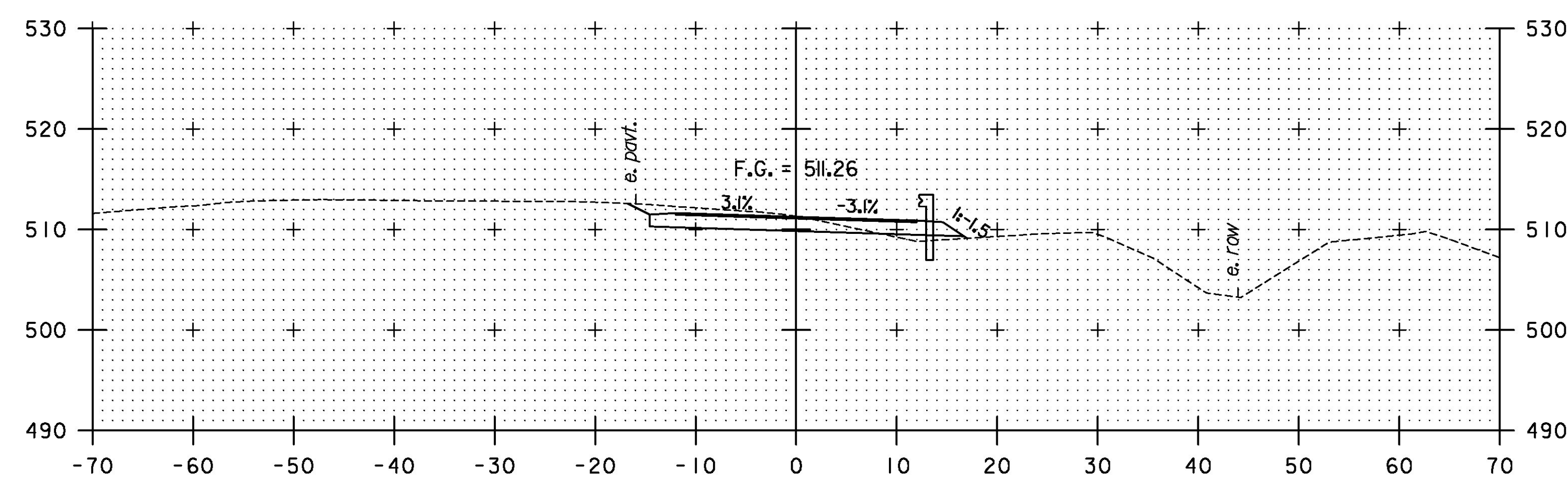
53+00



52+50



52+75



52+25

STA. 52+25 TO STA. 53+25

TYLINTERNATIONAL

PROJECT NAME:	DUXBURY	PLOT DATE:	5/23/2016
PROJECT NUMBER:	BF 013-4(47)	DRAWN BY:	T. KELLEY
FILE NAME:	z16b001trdwy_xs.dgn	CHECKED BY:	J. HOWE
PROJECT LEADER:	J. OLUND	TEMPORARY ROADWAY CROSS SECTIONS 2	SHEET 22 OF 69
DESIGNED BY:	T. KELLEY		