

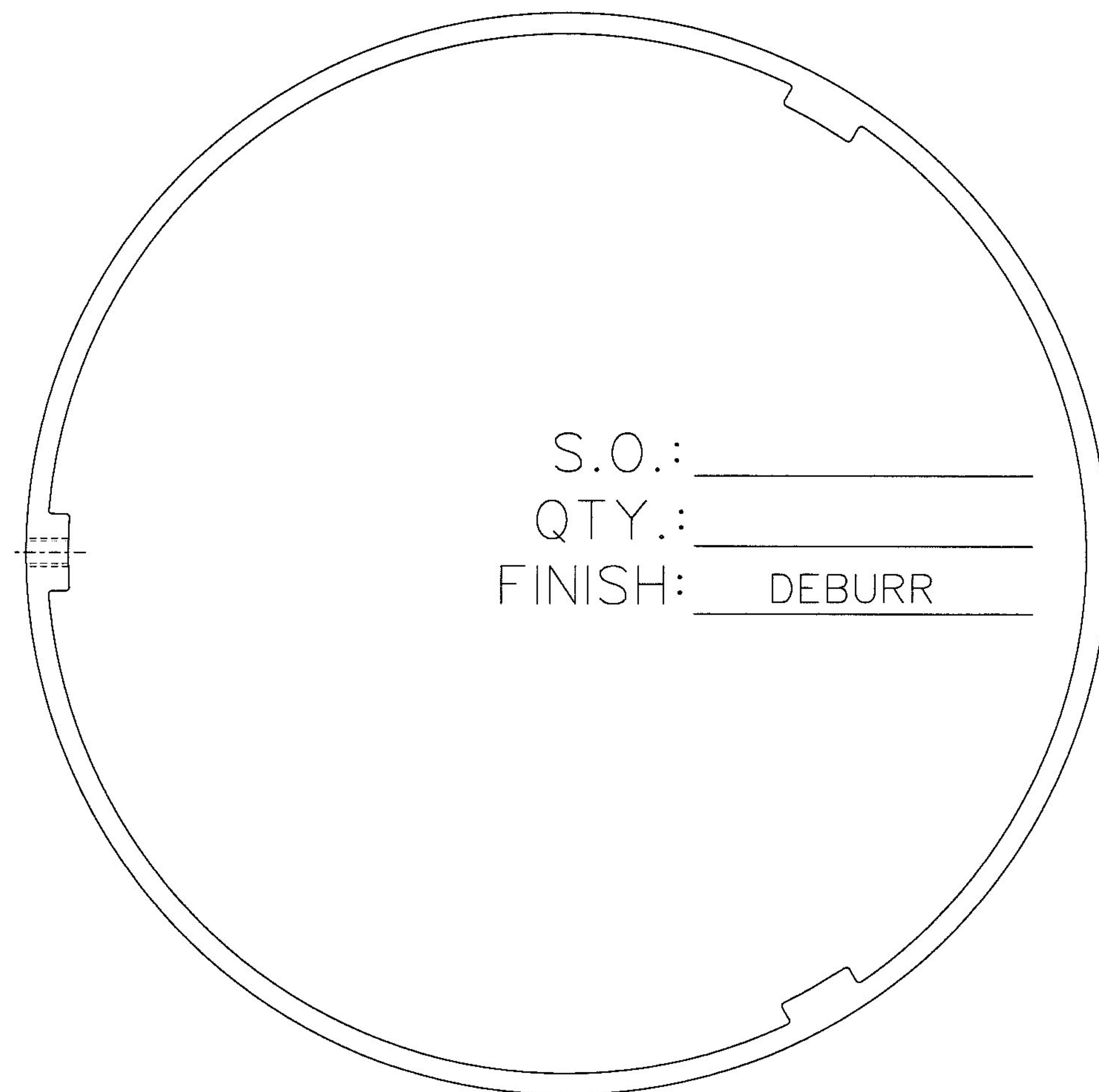
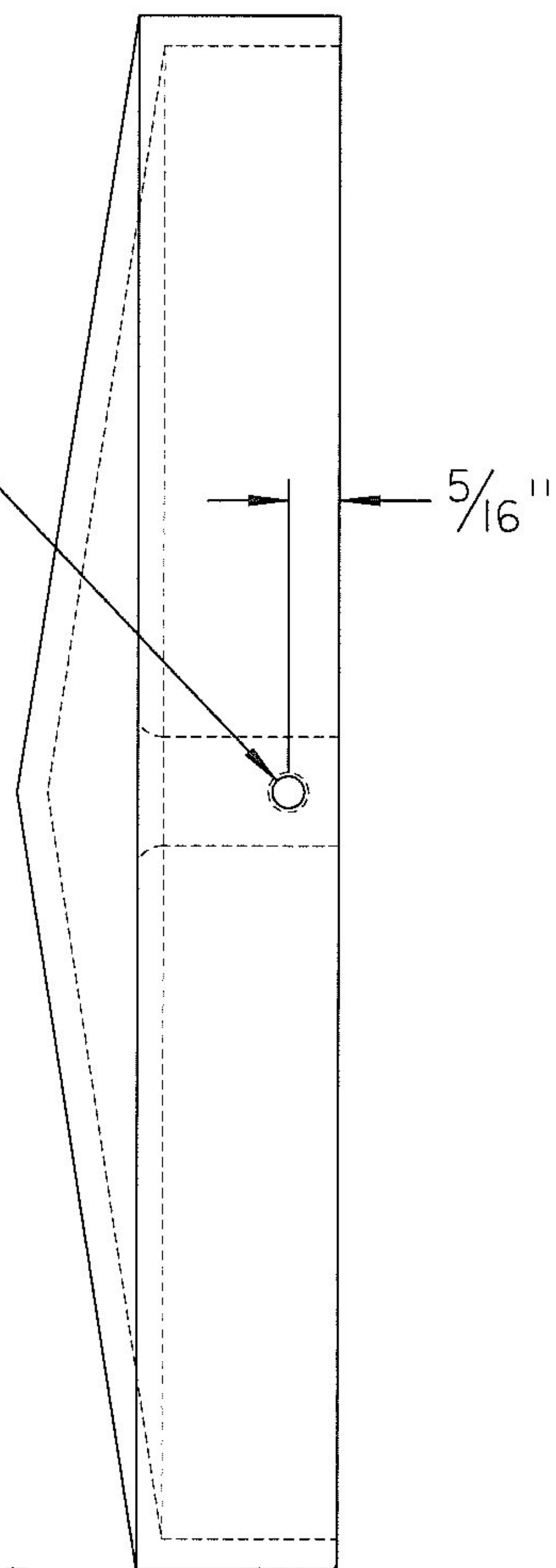
BILL OF MATERIAL

| WGT. | ITEM | DESCRIPTION | QTY. PER (1) ASS'Y | CUTTING QTY. | MP-CODES | PART NUMBER | DWG. NUMBER |
|------|------|-----------------------|-----------------------|-----------------|----------|------------------|-------------|
| 2 | 1 | 8" PINNACLE (CASTING) | 1 | | OM D T G | ZPIN8 C-64184 | B-5901 |

DESCRIPTION EAST PEAK SIGNALS APPROVED FOR SUBMITTAL 11-4-16

| REV. | DATE | DESCRIPTION |
|------|--------|--|
| 01 | 5/1/03 | REMOVED SET SCREW FROM BILL OF MATERIAL (ECR #03-072) WH |

DRILL & TAP
1/4"-20
(1 REQ'D.)



S.O.: _____
 QTY.: _____
 FINISH: DEBURR

BUILD PER LATEST REVISION OF
 FMC'S WORKMANSHIP STANDARDS
 UNLESS OTHERWISE NOTED

TOLERANCES:
 UNLESS OTHERWISE
 SPECIFIED

FRACTIONAL ± 1/16"
 2 PLACE DEC. ± .03
 3 PLACE DEC. ± .005
 ANGULAR ± 1°



DESCRIPTION:
**PINNACLE FOR 8" PIPE
 (MACHINED)**

DRAWN BY: S. TOLER

APPROVED:

SCALE: 6"-1'-0"

ECN: 5/1/03

DATE: 7/26/99

PART NO.

CCPIN8
 0264184

DWG. NO.

A-5902-01