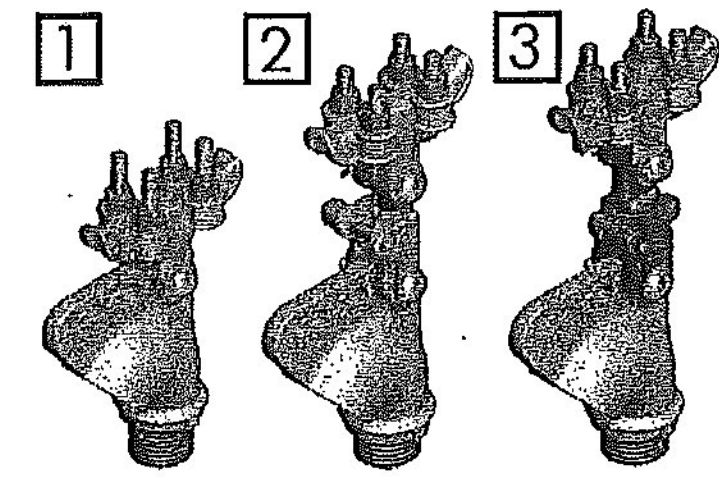
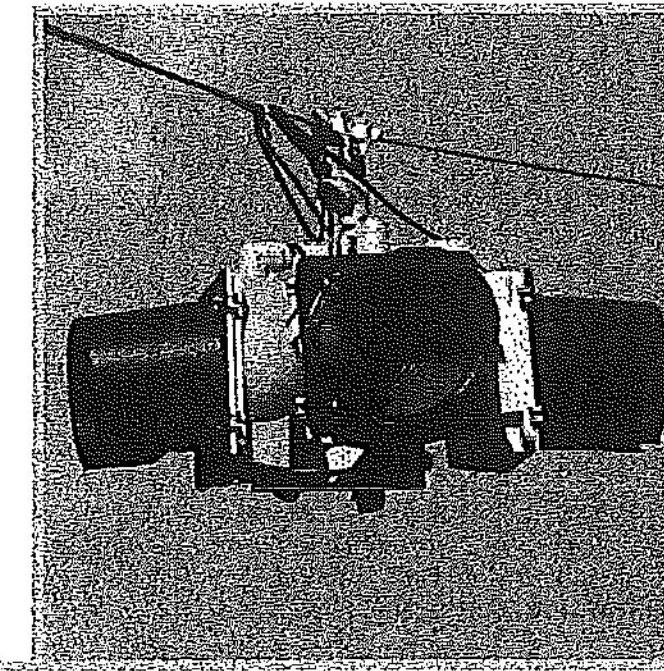
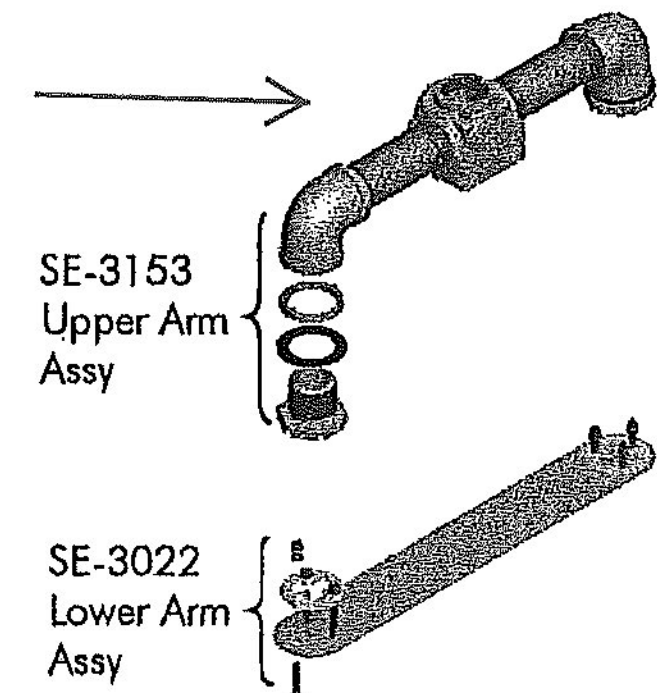


Iron 2-Way, 3-Way & 4-Way Span Wire Hanger Assemblies

Pelco's Span Wire mountings are available in aluminum or iron with 1-1/2" or tri-stud fittings. Balance adjusters provide additional adjustment capabilities, while tether assemblies may be used to anchor the bottom of signals in windy applications.



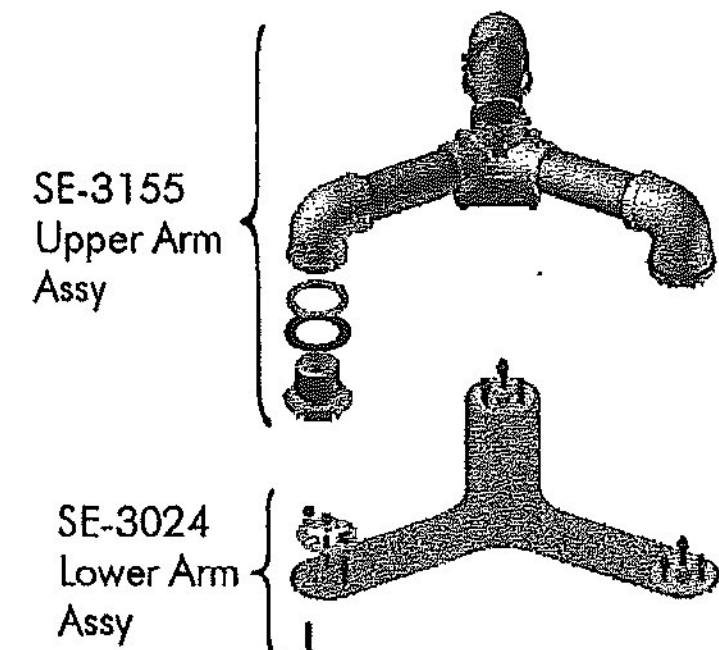
- 1. SE-3070 - Coating **Span Wire Hanger Assy, 1-1/2" NPS**
- 2. SE-3273 - **Span Wire Hanger Assy, 1-1/2" NPS Balance Adjuster**
- 3. SE-3275 - **Span Wire Hanger Assy, 1-1/2" NPS PAL Balance Adjuster**



Upper & Lower Arm Assy, 2-Way 16-1/2" CTC

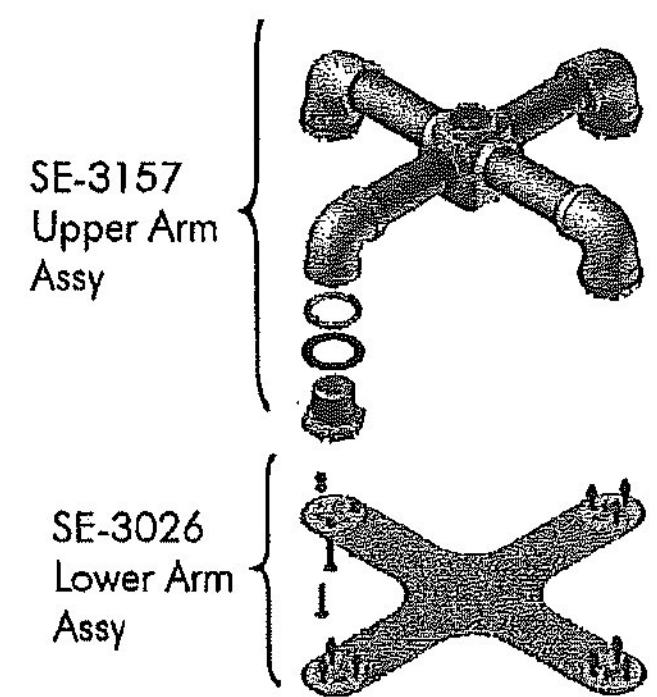
- SE-3153 Upper Arm Assy
- SE-3154 - Coating **Black**
- P__=Paint

For 2-Way Span Wire Mount



Upper & Lower Arm Assy, 3-Way 16-1/2" CTC

- SE-3155 Upper Arm Assy
- SE-3156 - Coating
- P__=Paint



Upper & Lower Arm Assy, 4-Way 16-1/2" CTC

- SE-3157 Upper Arm Assy
- SE-3158 - Coating
- P__=Paint

Note: 1. All assemblies are supplied standard with stainless steel fasteners and galvanized hardware on span wire clamps. Stainless upgrade to include stainless hardware and stainless slotted washer where applicable.
2. See Reference Section for available paint colors.

FREE-SWINGING

pelco