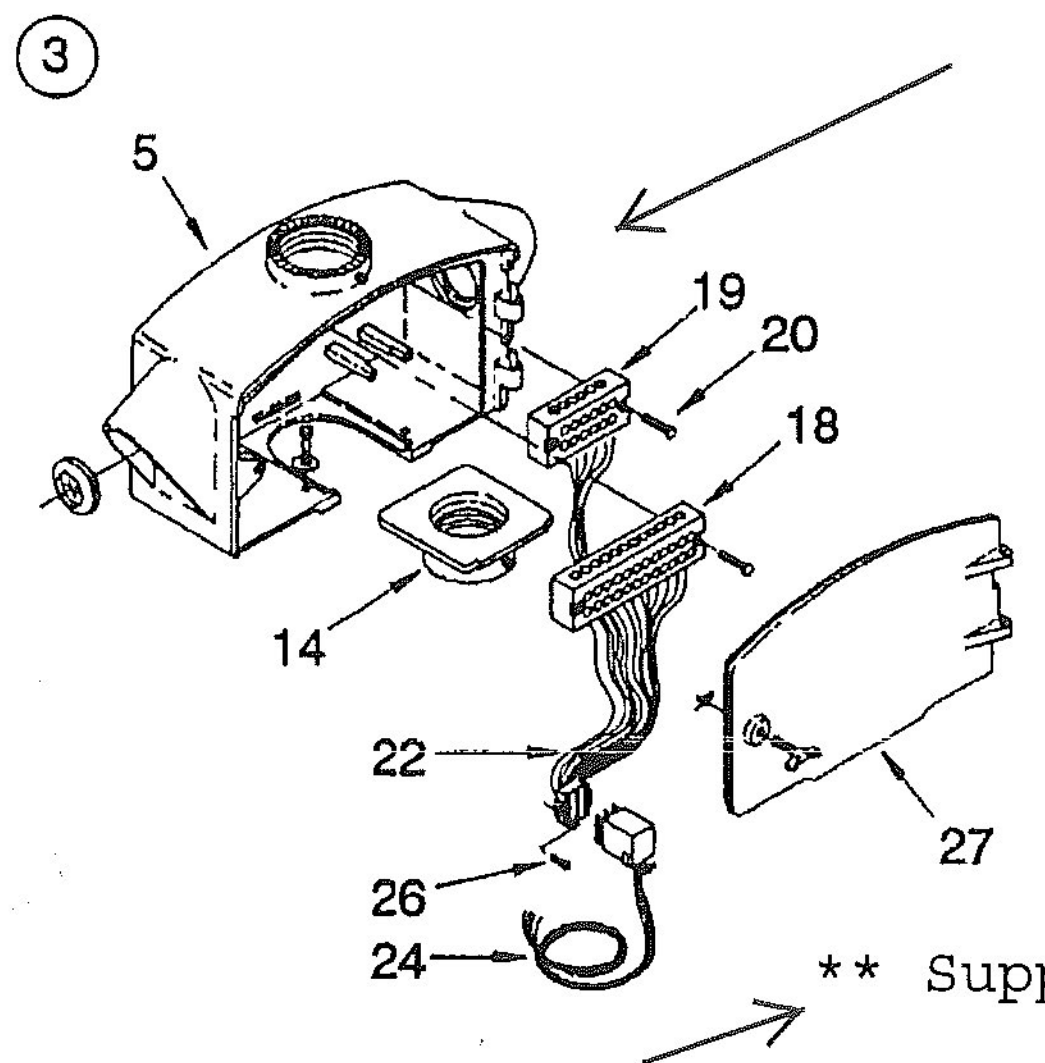
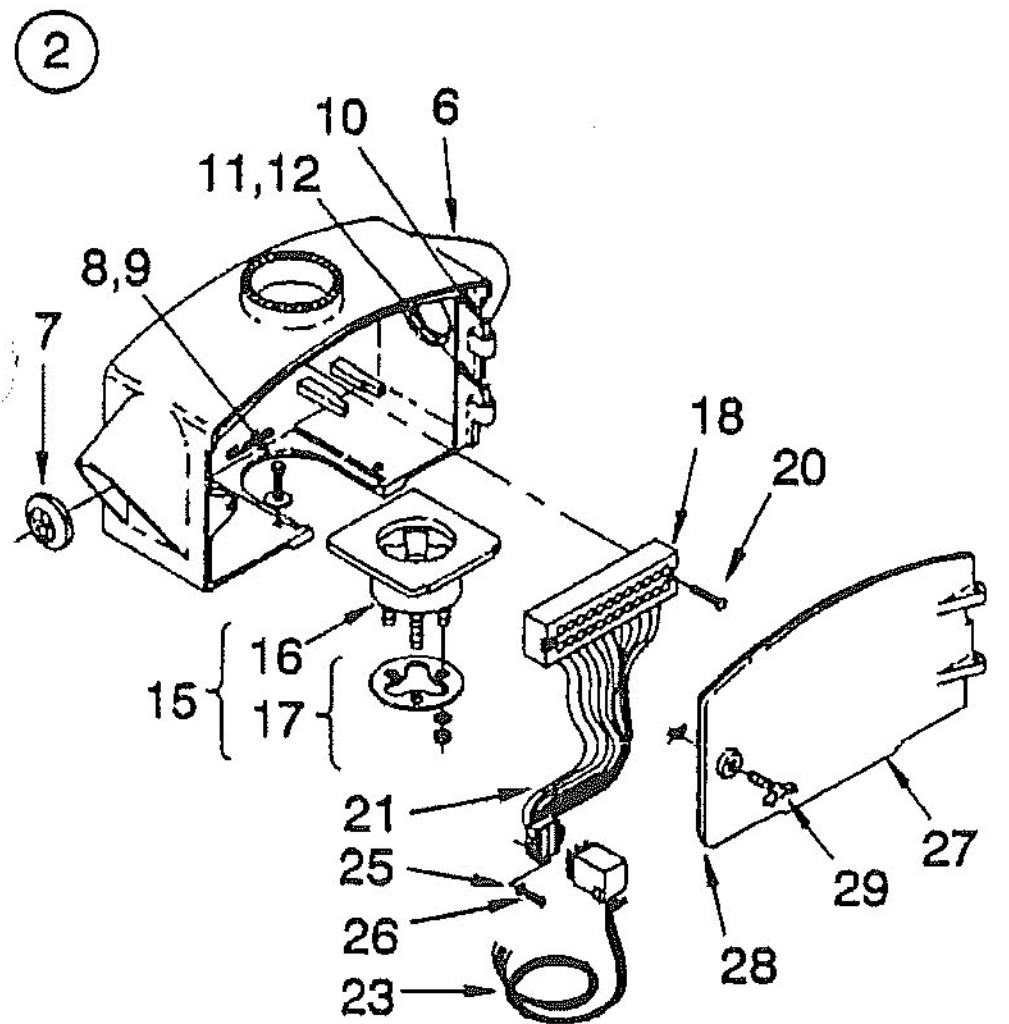
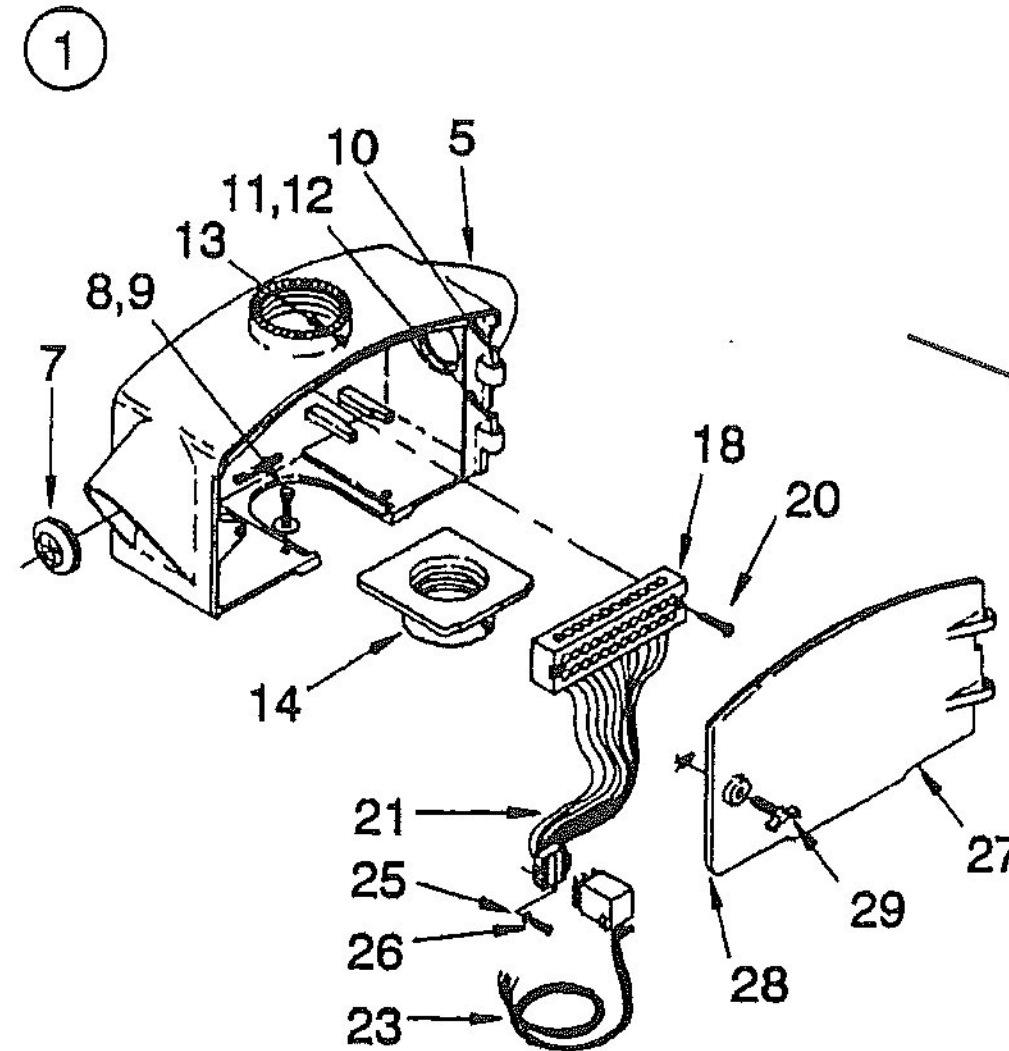


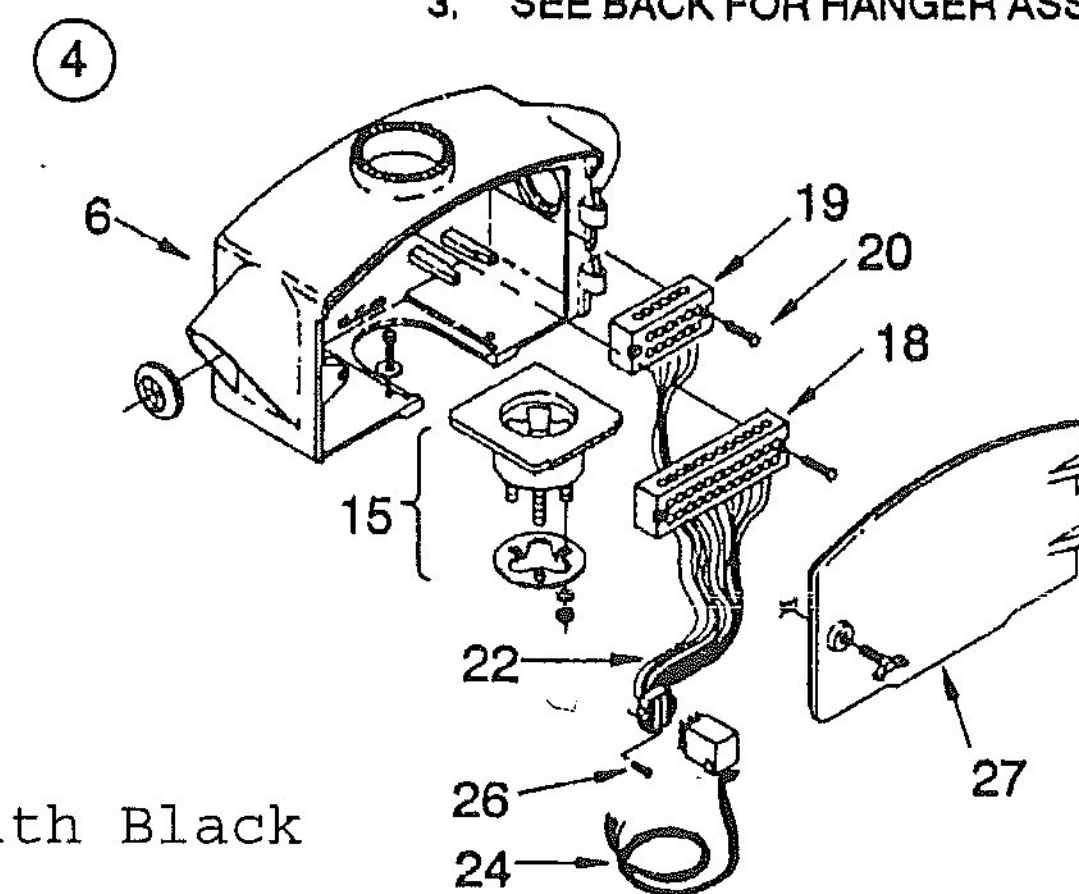


DISCONNECT HANGER ASSEMBLIES



ITEM	DESCRIPTION	PART NO.
12 CIRCUIT DISCONNECT HANGER ASSY.		
①	W/ 1½" Threaded Top & 1½" Threaded Hub	SE-3073
②	W/ 2" Non-Threaded Top & Tri-Stud Hub	SE-5031
18 CIRCUIT DISCONNECT HANGER ASSY.		
③	W/ 1½" Threaded Top & 1½" Threaded Hub	SE-3077
④	W/ 2" Non-Threaded Top & Tri-Stud Hub	SE-5032
5	DISCONNECT BODY, 1½" Threaded	SE-0383
6	DISCONNECT BODY, 2" Non-Threaded	SE-0506
7	NEOPRENE GROMMET, W/ Diaphragm	SE-0449
8	BOLT, Hex. Hd., ¼"-20 x 5/8"	FS-2001
9	FENDER WASHER, ¼" x 1"	FS-4000
10	ROLL PIN, 3/16" x 1¼", Stainless Steel	FS-6301-SS
11	GROOVE PIN, 3/16" x 1½", Stainless Steel	FS-6203-SS
12	HAIRPIN CLIP, 1/8", Stainless Steel	FS-6902-SS
13	SETSCREW, Square Hd., S.S., ¼"-20 x 3/4"	FS-3207-SS
14	DISCONNECT HUB, 1½"	SE-0378
	W/ SETSCREW, Sq. Hd. S.S., ¼"-20 x ½"	FS-3218-SS
15	DISCONNECT HUB ASSY., Tri-Stud	SE-5033
16	DISCONNECT HUB, Tri-Stud	SE-0504
17	HARDWARE KIT, W/O Gasket	SE-5035
18	TERMINAL BLOCK, 12 Circuit	SE-0388
19	TERMINAL BLOCK, 6 Circuit	SE-0387
20	SCREW, Phillips Pan Hd., #10-32 x 1¼"	FS-3904
21	FEMALE HARNESS ASSY., 12 Circuit	SE-0396
22	FEMALE HARNESS ASSY., 18 Circuit	SE-0395
23	MALE HARNESS, 12 Circuit, 48"	SE-0392
24	MALE HARNESS, 18 Circuit, 48"	SE-0406
25	FLATWASHER, #6	FS-4117
26	SCREW, Phillips Pan Hd., Self-Tap, #6-32 x 3/8"	FS-3102
27	DISCONNECT DOOR	SE-0379
28	GASKET, 3/16" Closed Sponge Cord	SE-4000
29	WING SCREW W/ Hairpin Keeper	SE-0407

NOTE:
 1. PLEASE SPECIFY COLOR WHEN ORDERING.
 2. ALL HARNESSES COME WITH 18 AWG WIRE
 PRE-TINNED & NUMBERED ON 3" CENTERS
 3. SEE BACK FOR HANGER ASSEMBLIES.



** Supplied with Black