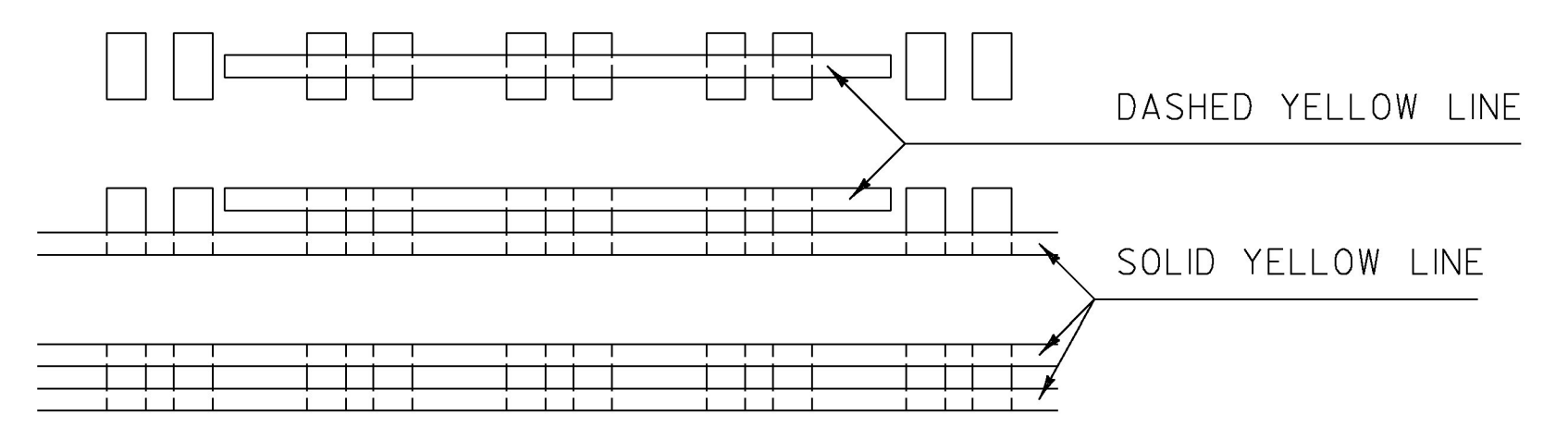


RUMBLE STRIP LAYOUT DETAIL

NOTE:

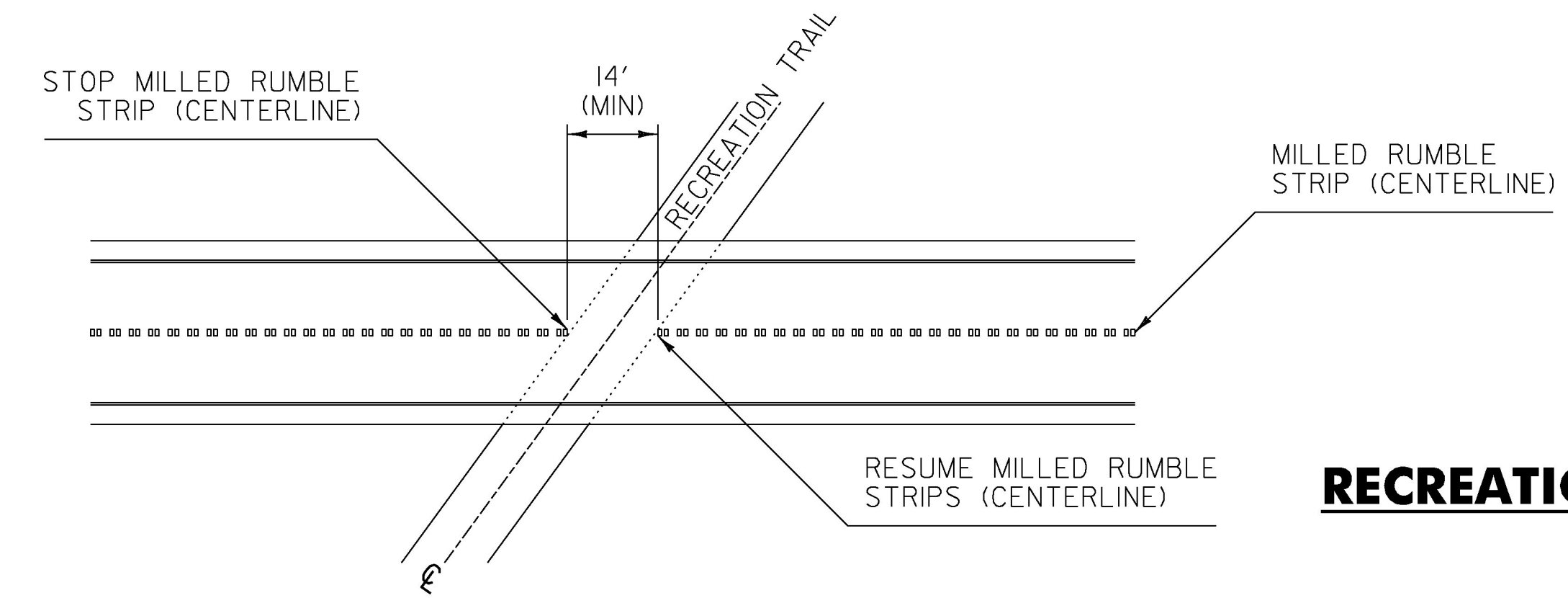
- MILLED RUMBLE STRIPS (CENTERLINE) SHALL BE CENTERED ALONG THE CENTERLINE OF THE ROADWAY WITH A LATERAL TOLERANCE IN EITHER TRANSVERSE DIRECTION OF +/- ONE INCH AND INSTALLED AT THE INTERVALS AS DETAILED.



PAVEMENT MARKING LAYOUT DETAIL

NOTES:

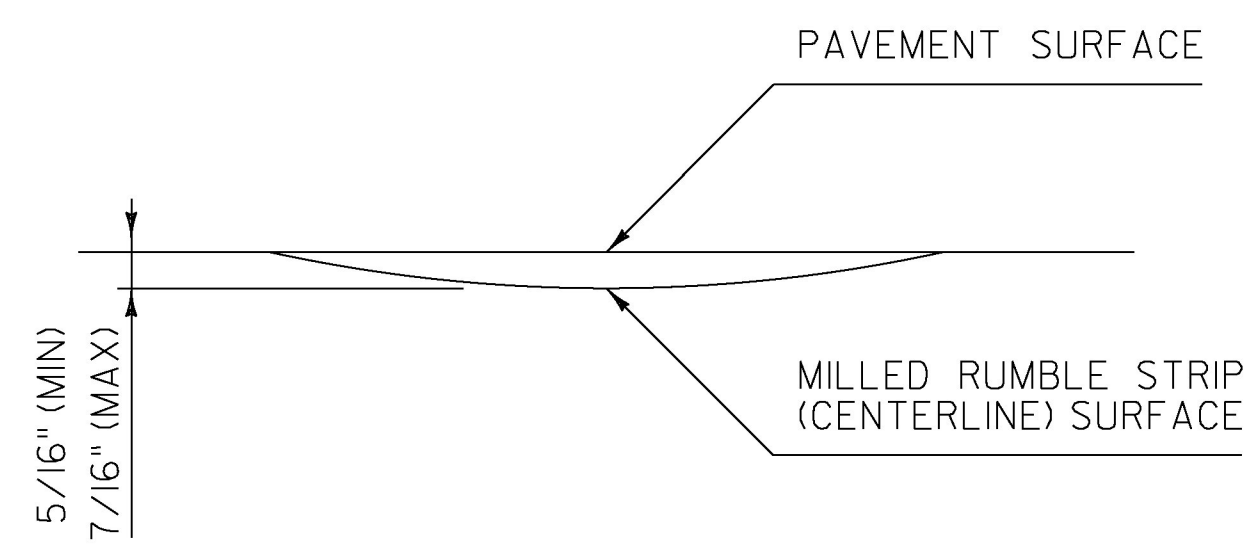
- MILLED RUMBLE STRIPS (CENTERLINE) SHALL BE INSTALLED PRIOR TO FINAL CENTERLINE PAVEMENT MARKINGS.
- ALL FINAL CENTERLINE PAVEMENT MARKINGS SHALL BE CENTERED ON THE MILLED RUMBLE STRIPS (CENTERLINE).
- UNLESS OTHERWISE SPECIFIED IN THE PLANS, CENTERLINE PAVEMENT MARKINGS SHALL BE POLYUREA.



RECREATION TRAIL CROSSING DETAIL

NOTE:

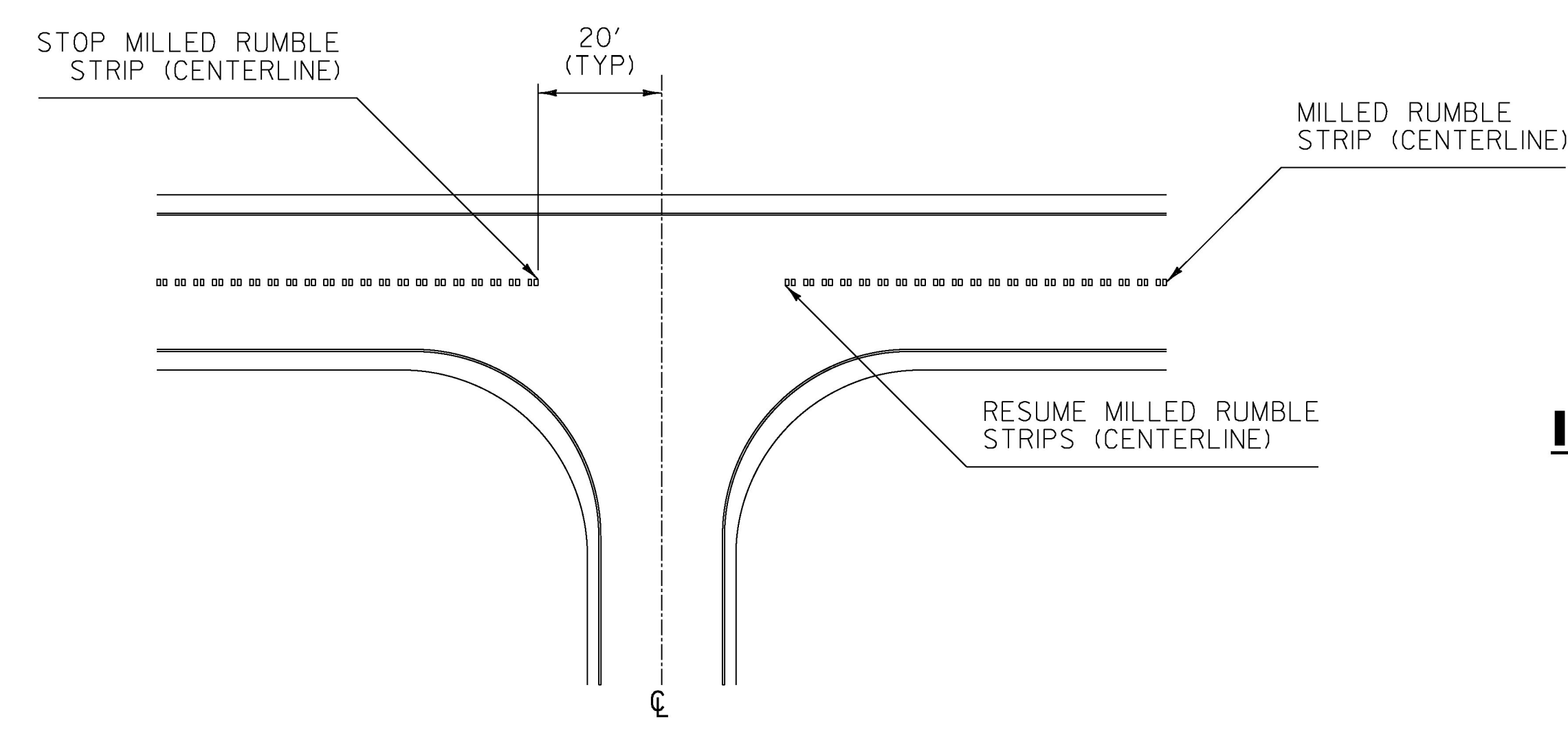
- WIDTH OF GAP FOR RAIL TRAILS WILL VARY DEPENDENT ON THE SKEW OF THE TRAIL, WITH A 14 FOOT MINIMUM GAP.



RUMBLE STRIP DETAIL

NOTES:

- DIMENSION "A" SHALL BE 12 INCHES WHEN FOUR INCH CENTERLINE PAVEMENT MARKINGS ARE TO BE INSTALLED AND 18 INCHES WHEN SIX INCH CENTERLINE PAVEMENT MARKINGS ARE TO BE INSTALLED.
- WHEN MILLED RUMBLE STRIP (CENTERLINE) IS SPECIFIED TO BE SEALED WITH SPECIAL PROVISION (FOG SEAL SURFACE TREATMENT) IT SHALL BE SEALED WITH TWO APPLICATIONS.



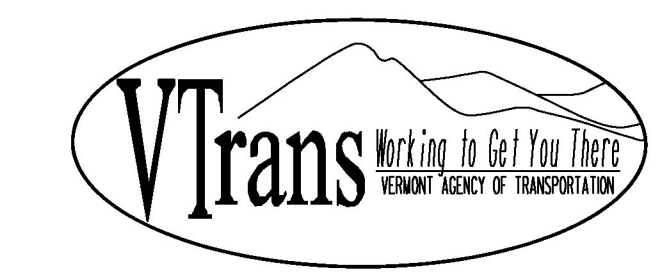
INTERSECTION DETAIL

NOTE:

- MILLED RUMBLE STRIPS (CENTERLINE) SHALL STOP 20 FEET PRIOR TO ALL INTERSECTIONS, IN BOTH DIRECTIONS OF TRAVEL.

REV.	DATE	DESCRIPTION
0	NOV. 3, 2015	ORIGINAL APPROVAL
1	FEB. 4, 2016	ADDED LATERAL TOLERANCE NOTE
OTHER DETAILS REQUIRED: NONE		
DETAILS APPROVED FOR USE BY HIGHWAY SAFETY & DESIGN		

MILLED RUMBLE STRIP (CENTERLINE) DETAILS



HIGHWAY SAFETY & DESIGN DETAIL
HSD-213.02