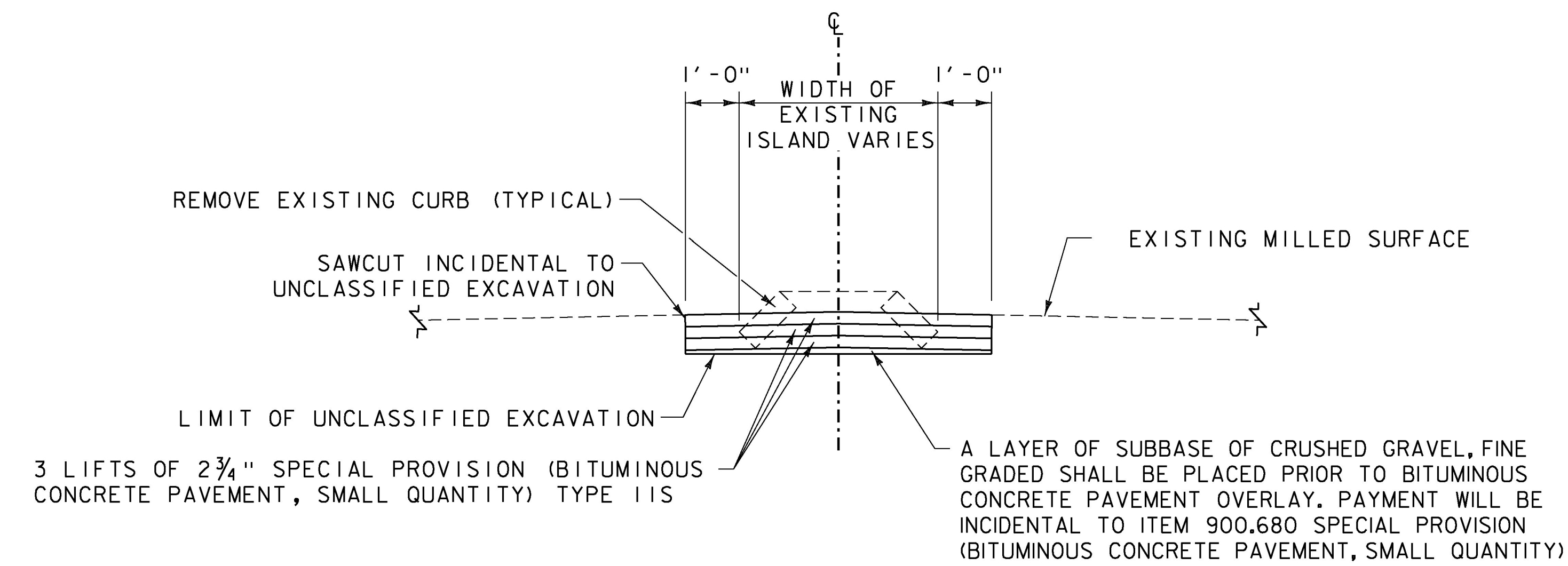


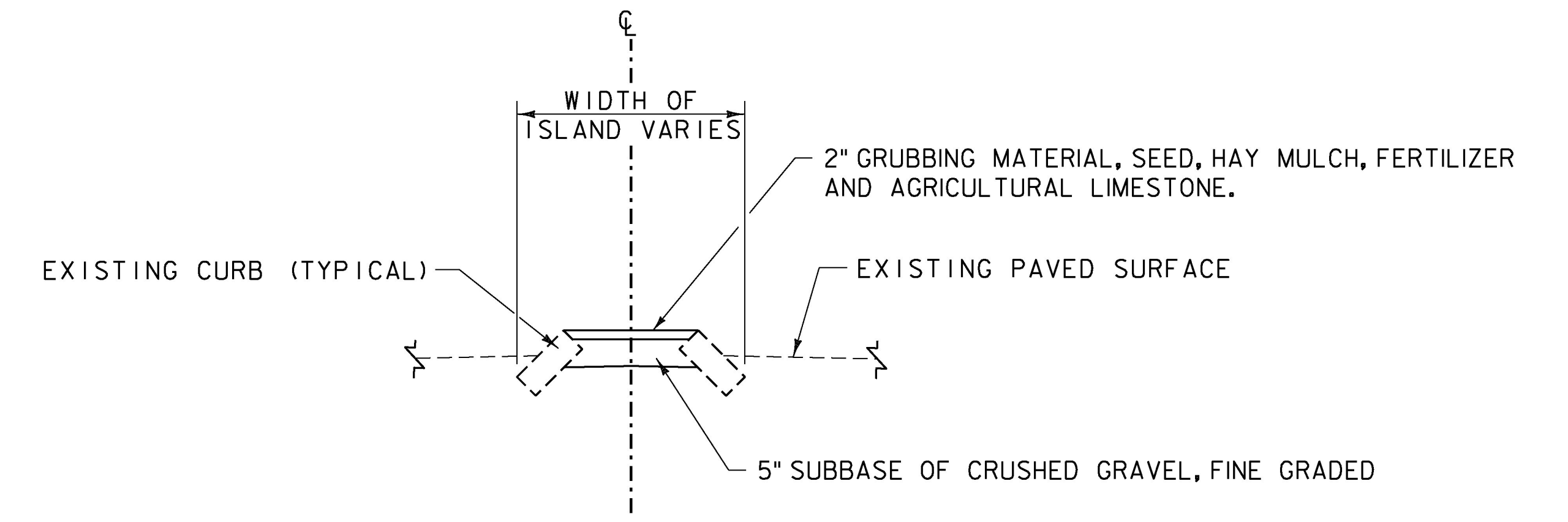
**US RTE. 7, VT. RTE. 22A, AND FERRISBURGH STATE HIGHWAY
TYPICAL SECTION - ALTERNATE A
PAVER PLACED SURFACE TREATMENT, TYPE C**

NOTE:
I. SPECIAL PROVISION (PAVER PLACED SURFACE TREATMENT, TYPE C)(PG 70-28)(SBS POLYMER)(3/4" LIFT THICKNESS) PAVEMENT TOLERANCE = +/- 1/8 INCH (TOTAL THICKNESS).



ISLAND/CURB REMOVAL DETAIL

NOTES:
I. PAYMENT FOR REMOVAL OF EXISTING PAVEMENT, AND REMOVAL OF EXISTING SURFACE MATERIAL BETWEEN CURBING WILL BE INCIDENTAL TO ITEM 203.17 UNCLASSIFIED EXCAVATION.



NEW ISLAND DETAIL

NOT TO SCALE

PROJECT NAME: MIDDLEBURY-FERRISBURGH	
PROJECT NUMBER: NH SURF(55)	
FILE NAME: pl5v015.dgn	PLOT DATE: 17-MAY-2017
PROJECT LEADER: J. HARRINGTON	DRAWN BY: L. BULLOCK
DESIGNED BY: L. BULLOCK	CHECKED BY: J. HARRINGTON
Revised Plank Road Intersection Details	SHEET 52A+ OF 96 2