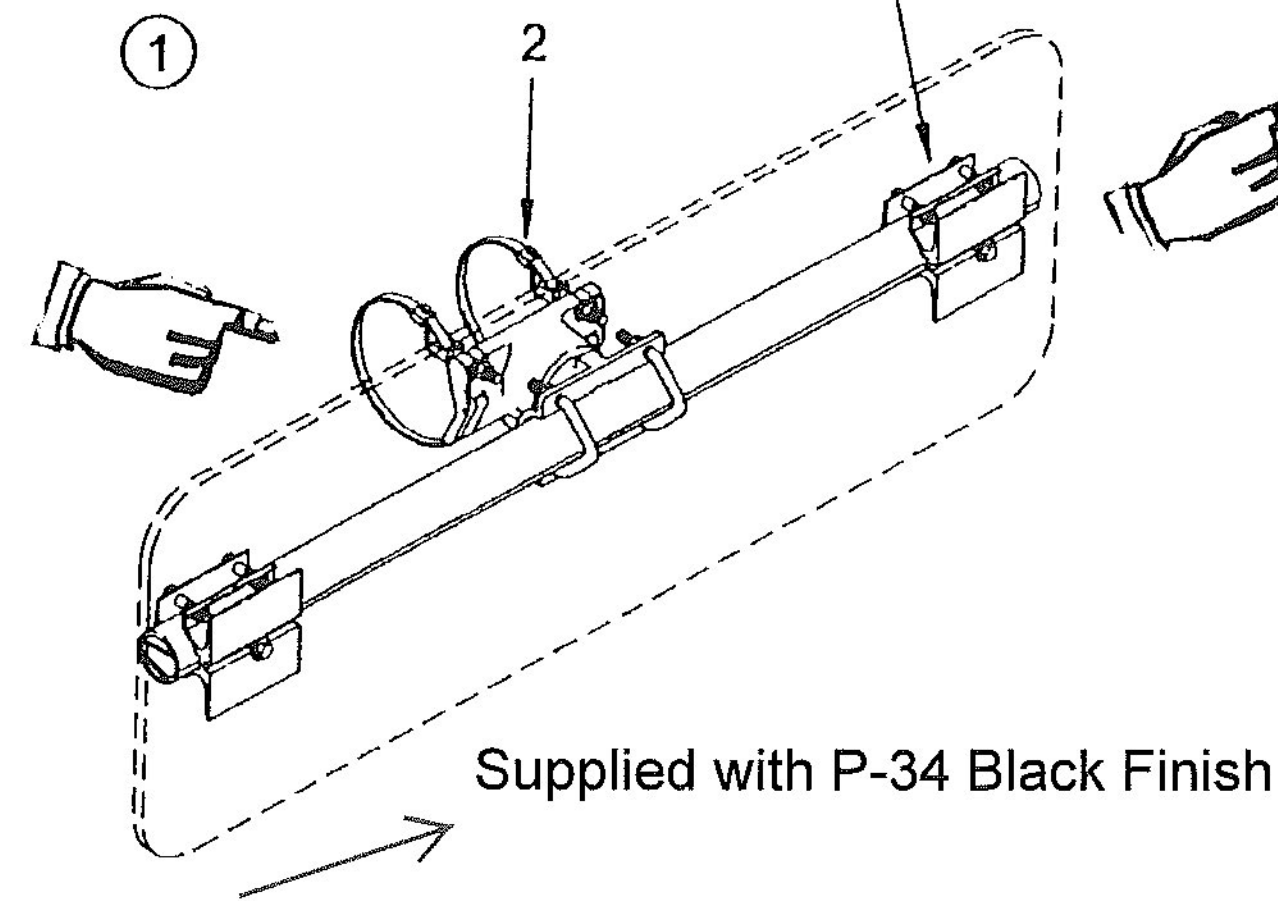




SIGN MOUNTINGS

Astro Sign-Brac Band Mount

APPROVED
By Erin Lewis at 5:17 pm, Jul 28, 2016



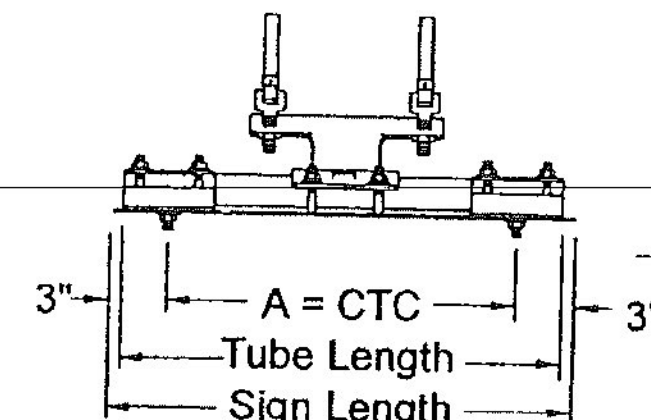
| ITEM | DESCRIPTION | PART NO. |
|------|---|----------|
| 1 | ASTRO SIGN-BRAC, Band Mount for Overhead Street Name Signs | AB-0128 |
| 2 | CLAMP KIT, Band Mount | AB-3004 |
| 3 | SIGN CLAMP, 4" w/ AB-5010 Hardware Kit | AB-0502 |

Notes:

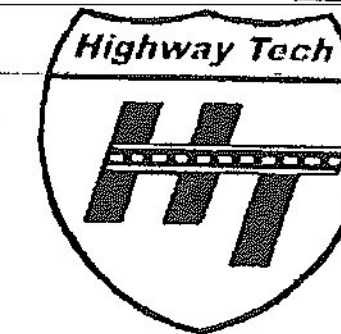
- All assemblies are supplied standard with stainless fasteners and natural aluminum alodine coating. Stainless upgrade to include stainless steel clamp screws.
- Suggested maximum sign face of 16 sq. ft. per bracket.
- Sign-Brac assemblies are available with Stellar Series Clamp Kits. To order, use prefix AS with part number.
- Please specify options when ordering.

| SIGNS 1'-6" to 3'-0" LONG | | |
|---------------------------|-------------|-------|
| SIGN LENGTH | TUBE LENGTH | CTC A |
| 1'-6" | 16" | 12" |
| 2'-0" | 22" | 18" |
| 2'-6" | 28" | 24" |
| 3'-0" | 34" | 30" |

Maximum sign height: 48"



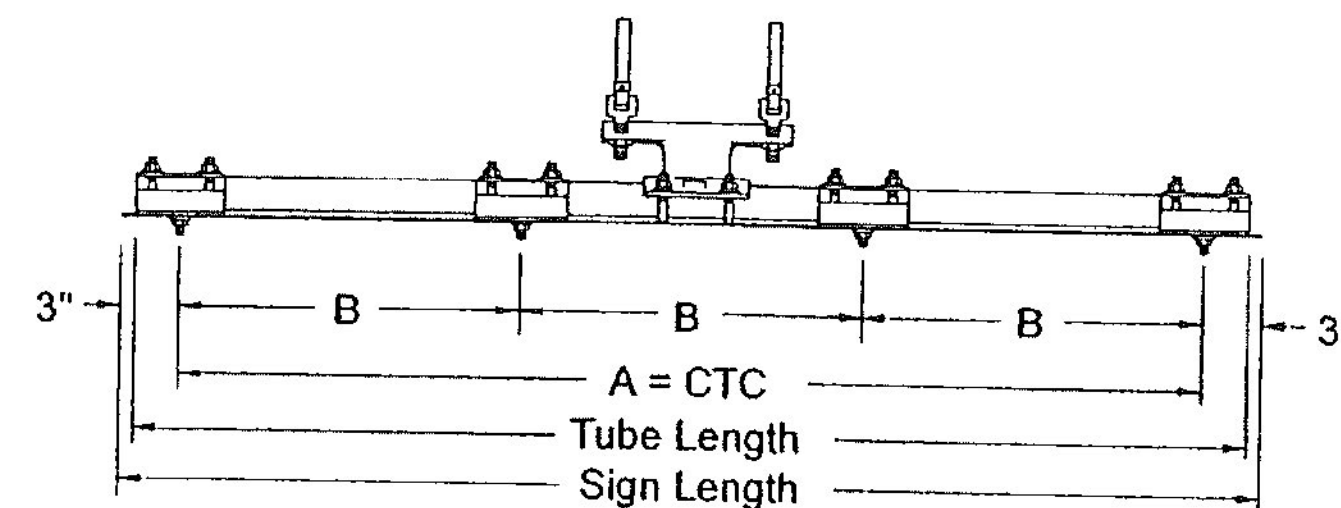
| OPTIONS |
|--|
| CTC DIMENSIONS (see charts) |
| BAND LENGTH: 29", 36", 42", 48", or 56" |
| STAINLESS UPGRADE |
| PAINT |



Highway Tech Signal Equipment Sales, Inc.
6 Sabattus Road / P.O. Box 1209
Sabattus, ME 04280
Tel. (207) 375-8248
Fax (207) 375-8279

| SIGNS 3'-6" to 8'-0" LONG | | | |
|---------------------------|-------------|-------|-----|
| SIGN LENGTH | TUBE LENGTH | CTC A | B |
| 3'-6" | 40" | 36" | 12" |
| 4'-0" | 46" | 42" | 14" |
| 4'-6" | 52" | 48" | 16" |
| 5'-0" | 58" | 54" | 18" |
| 5'-6" | 64" | 60" | 20" |
| 6'-0" | 70" | 66" | 22" |
| 6'-6" | 76" | 72" | 24" |
| 7'-0" | 82" | 78" | 26" |
| 7'-6" | 88" | 84" | 28" |
| 8'-0" | 94" | 90" | 30" |

Maximum sign height: 24"



| SIGNS 8' to 10' LONG | | | | |
|----------------------|-------------|-------|-----|-----|
| SIGN LENGTH | TUBE LENGTH | CTC A | B | C |
| 8'-6" | 100" | 96" | 19" | 20" |
| 9'-0" | 106" | 102" | 20" | 22" |
| 9'-6" | 112" | 108" | 21" | 24" |
| 10'-0" | 118" | 114" | 22" | 26" |

Maximum sign height: 16"

