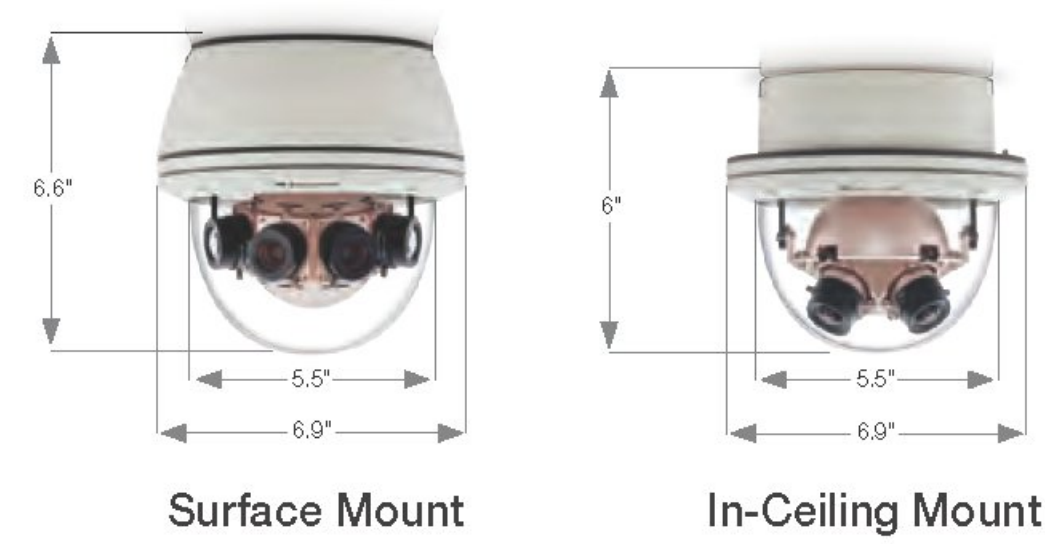


**Configuration**

**SurroundVideo** (8MP, 20MP and 40MP Models)



**SurroundVideo WDR** (12MP Models)



**Accessories (Sold Separately)**



**SurroundVideo®** IP Megapixel Dome Cameras

8–40MP H.264 All-in-One 180° and 360° Panoramic True Day/Night Indoor/Outdoor Dome IP Cameras with WDR (Wide Dynamic Range) Models



**180° and 360° Panoramic Coverage with Exceptional Resolution – SurroundVideo**

SurroundVideo panoramic view IP megapixel cameras provide all-in-one solutions for wide area video surveillance. Four sensors and lenses are housed in a impact-resistant IP66 dome enclosure. The cameras are available in 180° and 360° configurations and resolutions of 8-, 12-WDR, 20- and 40- megapixels (MP). A single SurroundVideo panoramic camera can replace multiple conventional cameras with the ability to zoom into multiple regions of interest.

**Highlighted Features:**

- Industry's First 8MP, 12MP, 20MP and 40MP Panoramic Megapixel Cameras
- Optional True WDR up to 100dB at Full Resolution Available on 12MP Models: See Clearly in Shaded and Bright Light Conditions Simultaneously
- Forensic Zooming – Zoom Live or After the Event While Recording Full Field of View in HD – Replace PTZ Devices
- Binning Mode for Strong Low Light Performance in 12MP, 20MP and 40MP Models
- Bit Rate Control and Multi-Streaming
- True Day/Night Functionality with Mechanical IR Cut Filter
- Outdoor Rated IP66 and IK-10 Impact-Resistant Housing
- Total PoE Solution (WDR Models)
- PoE and Auxiliary Power: 12–48V DC/24V AC
- Easily Adjustable 2-Axis Camera Gimbal with 360° Pan and 90° Tilt
- +/- 5° Electrical Vertical Alignment to Locate Each Sensor Position (180° Series)
- +/- 10° (+/- 7° WDR) Mechanical Tilt Adjustment to Locate Each Sensor Angle (360° Series)
- Complete Mounting Options
- Dual Encoder H.264/MJPEG
- Privacy Mask, Motion Detection and Flexible Cropping
- Fast Frame Rates
- ONVIF Profile S Conformant



Stitched image from an 8MP SurroundVideo 180° camera in a financial services environment



**Global Sales and Support**

Arecont Vision is the leading manufacturer of high-performance megapixel IP cameras and associated software.

**Americas**

**Los Angeles, CA, USA**  
Arecont Vision, LLC. Headquarters  
425 E. Colorado St., 7th Floor  
Glendale, CA 91205, USA

Phone: +1.818.937.0700  
Toll Free: 877.CAMERA.8  
Fax: +1.818.937.0464

**Sales**

Phone: +1.818.937.0700 x 3  
Email: avsales@arecontvision.com

**Support**

Phone: +1.818.937.0700 x 1  
Email: support@arecontvision.com

**Latin America**

Email: latam.sales@arecontvision.com

**EMEA**

**Düsseldorf, Germany**  
Phone: +49.69.6953.4600  
Email: europe.sales@arecontvision.com

**Moscow, Russia**  
CJSC Arecont Vision  
Phone: +7.495.649.0577  
Fax: +7.495.221.5227  
Email: info@arecontvision.ru

**Middle East**

Email: mena.sales@arecontvision.com

**Africa**

Email: africa.sales@arecontvision.com

**APAC**

**China**  
Phone: +86.180.0179.1799  
Alt. Phone: +1.818.937.0700 x 3  
Fax: +1.818.649.3404  
Email: apac.sales@arecontvision.com

