

# STR-LWY-4M-HT-IP-02-06

LEDway® IP66 Street Light - Type IV Medium - Horizontal Tenon Mount - 20-60 LEDs

### Product Description

Luminaire housing is all aluminum construction. Standard luminaire utilizes terminal block for power input suitable for #2-#14 AWG wire. Luminaire is designed to mount on a 2" (51mm) IP, 2.375" (60mm) O.D. horizontal tenon or 1.25" (32mm) IP, 1.66" (42mm) O.D. horizontal tenon when ordered with XA-XIL125IP accessory kit and is adjustable +/-5° to allow for luminaire leveling (two axis T-level included). Horizontal tenon must be minimum 8" (203mm) long.

### Performance Summary

- Utilizes BetaLED® Technology
- Patented NanoOptic® Product Technology
- Made in the U.S.A. of U.S. and imported parts
- CRI: Minimum 70 CRI
- CCT: 5700K (+/- 500K) Standard, 4000K (+/- 300K)
- Limited Warranty\*: 10 years on luminaire/10 years on Colorfast DeltaGuard® finish
- EPA and Weight: Reference EPA and Weight spec sheet

### Accessories

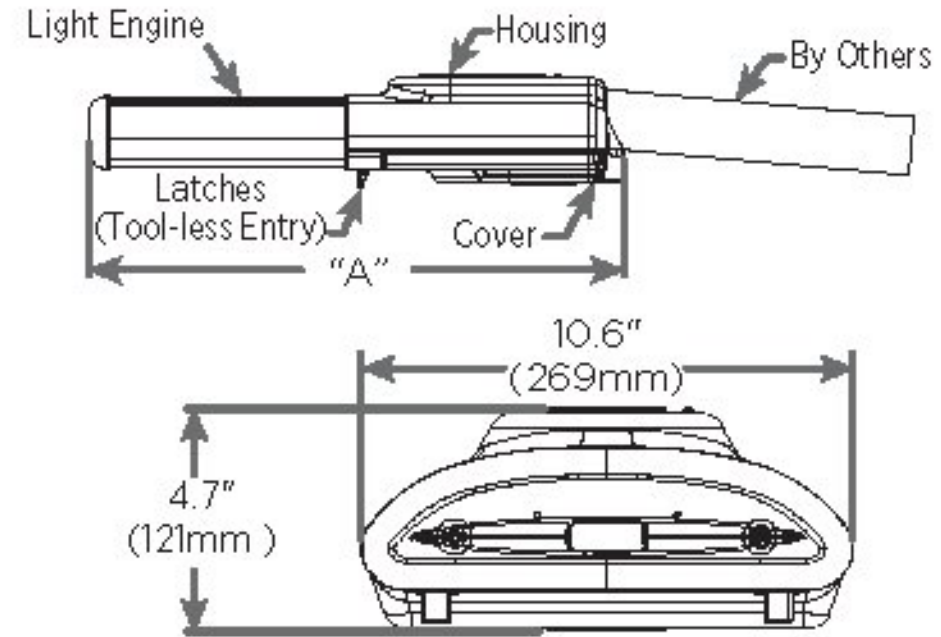
Field Installed Accessories	
XA-BRDSPK30 (20-30 LEDs)	XA-XSLBLS30 (20-30 LEDs)
XA-BRDSPK60 (40-60 LEDs)	XA-XSLBLS60 (40-60 LEDs)
Bird Spikes for Light Engine	External Backlight Shield
XA-BRDSPKHSG	XA-XIL125IP
Bird Spikes for Housing	1.25" (32mm) IP Pipe Sealing Kit

### Ordering Information

Example: STR-LWY-4M-HT-02-E-UL-SV-525-IP-OPTIONS

STR-LWY	4M	HT		E				IP -
Product	Optic	Mounting	LED Count (x10)	Version	Voltage	Color Options*	Drive Current	Options
STR-LWY	4M Type IV Medium	HT Horizontal Tenon	02 03 04 05 06	E	UL Universal 120-277V UH Universal 347-480V	SV Silver (Standard) BK Black BZ Bronze PB Platinum Bronze WH White	525** 525mA 700 700mA	<b>IP IP66 Classification</b> <b>40K 4000K Color Temperature</b> - Color temperature per luminaire <b>DIM 0-10V Dimming</b> - Control by others - Refer to dimming spec sheet for details - Can't exceed specified drive current <b>F Fuse</b> - Not available with all ML options. Refer to ML spec sheet for availability with ML options - When code dictates fusing, use time delay fuse <b>HL HI/Low (175/350/525 Dual Circuit Input)</b> - Refer to ML spec sheet for details - Sensor not included <b>ML Multi-Level</b> - Refer to ML spec sheet for details <b>N No Quick Disconnect Harness or Levelling Bubble</b> - Standard product features unless N option is specified <b>PD Power Door</b> - All connections between door and luminaire are shipped unconnected from the factory; door release spring included to open door automatically when the latches are released <b>R NEMA Photocell Receptacle</b> - Not available with all ML options. Refer to ML spec sheet for availability with ML options - Photocell by others - Intended for downlight applications at 0° tilt <b>SC Door Safety Tether</b> - Stainless steel aircraft cable <b>UTL Utility</b> - Includes exterior wattage label that reflects watts for the drive current selected. The ability to exceed selected drive current will be disabled

**APPROVED**  
By Erin Lewis at 4:50 pm, Jul 28, 2016



LED Count (x10)	Dimension	Measurements
02	"A"	17.5" (443mm)
03	"A"	17.5" (443mm)
04	"A"	22.0" (559mm)
05	"A"	22.0" (559mm)
06	"A"	22.0" (559mm)

\* See www.cree.com/lighting/products/warranty for warranty terms.

\* Light engine portion of extrusion is not painted and will remain natural aluminum regardless of color selection. \*\* Available on luminaires with 30-60 LEDs.



Rev. Date 03/21/2013



www.cree.com/lighting

T (800) 236-6800 F (262) 504-5415