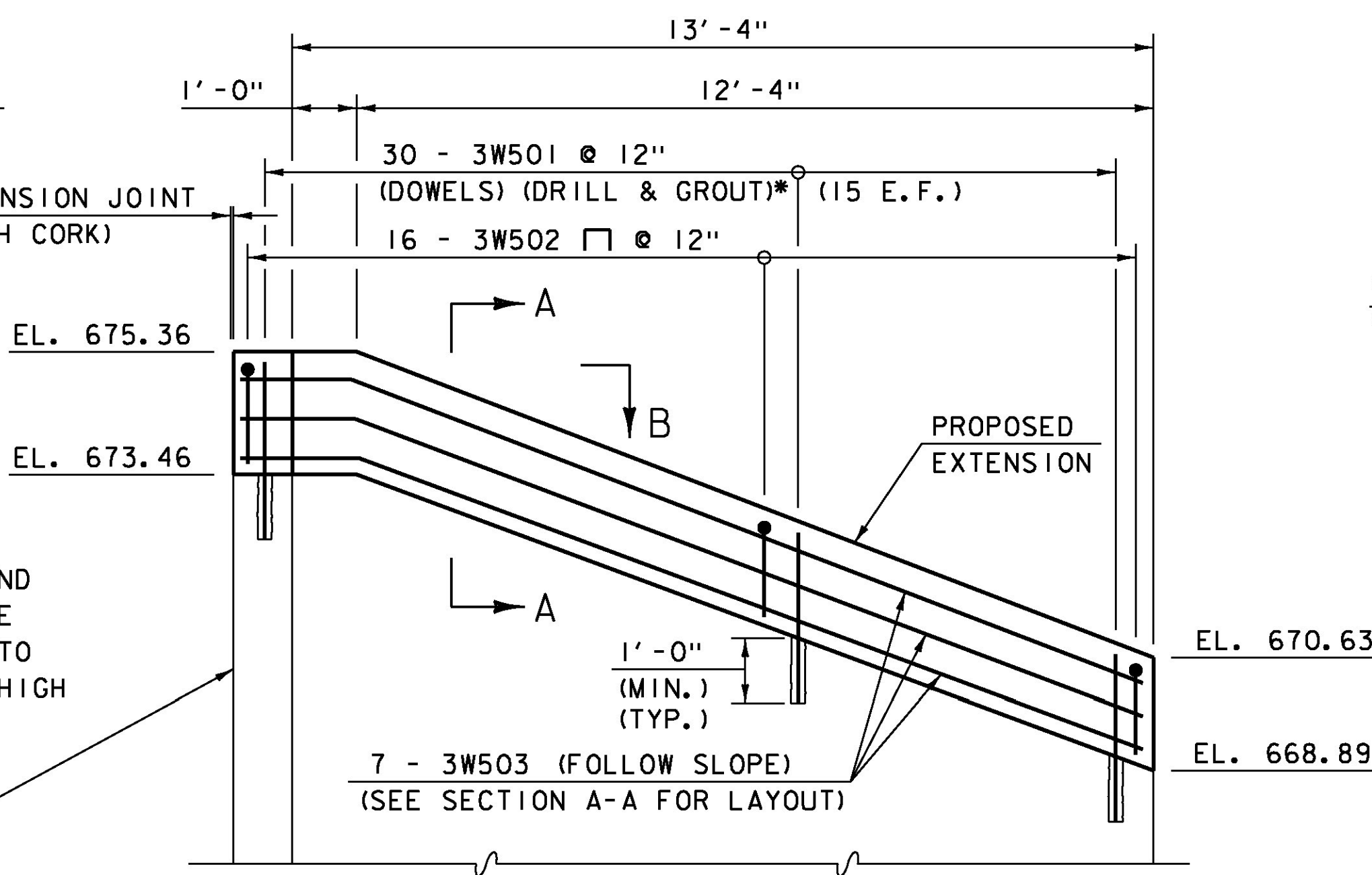
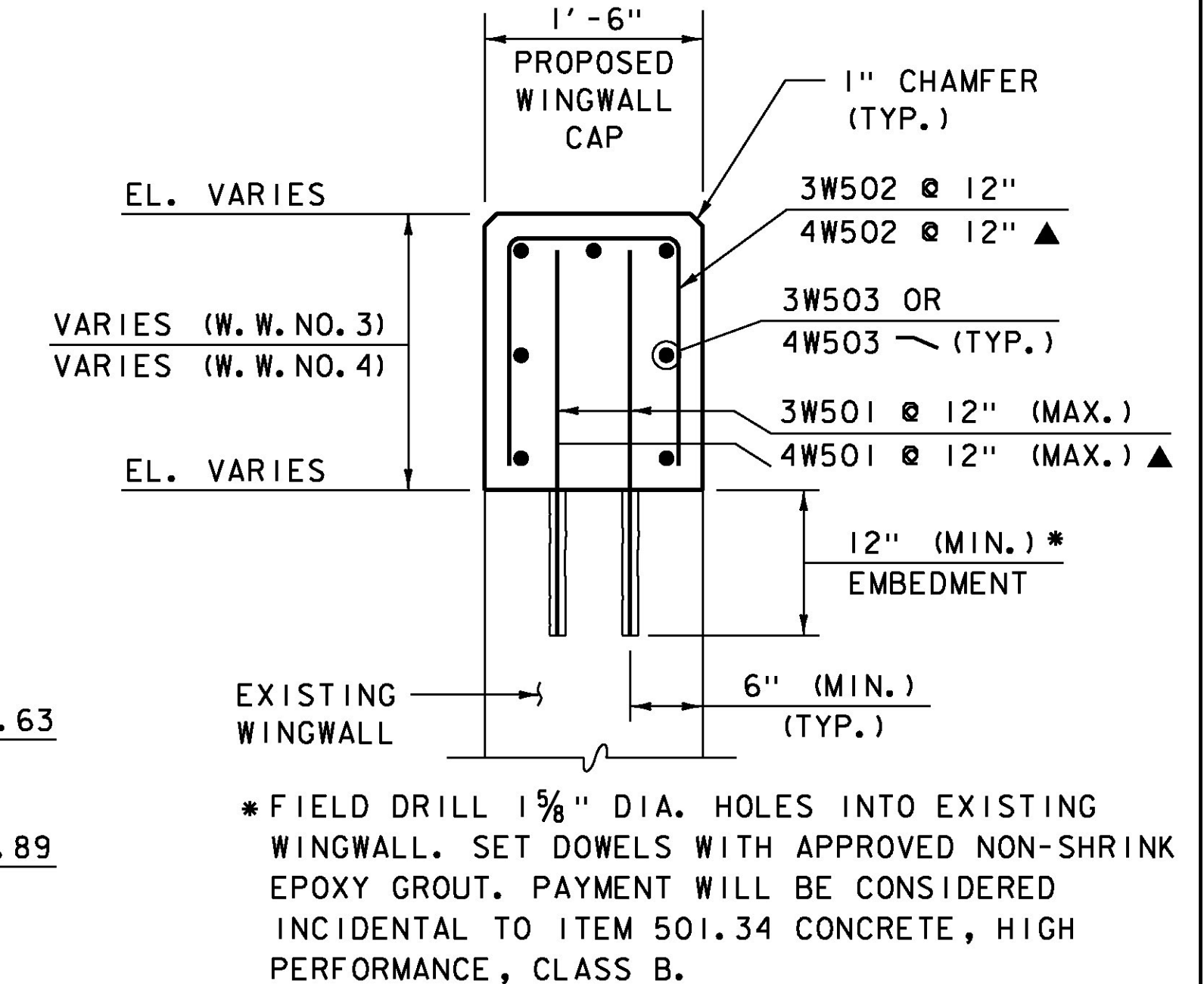


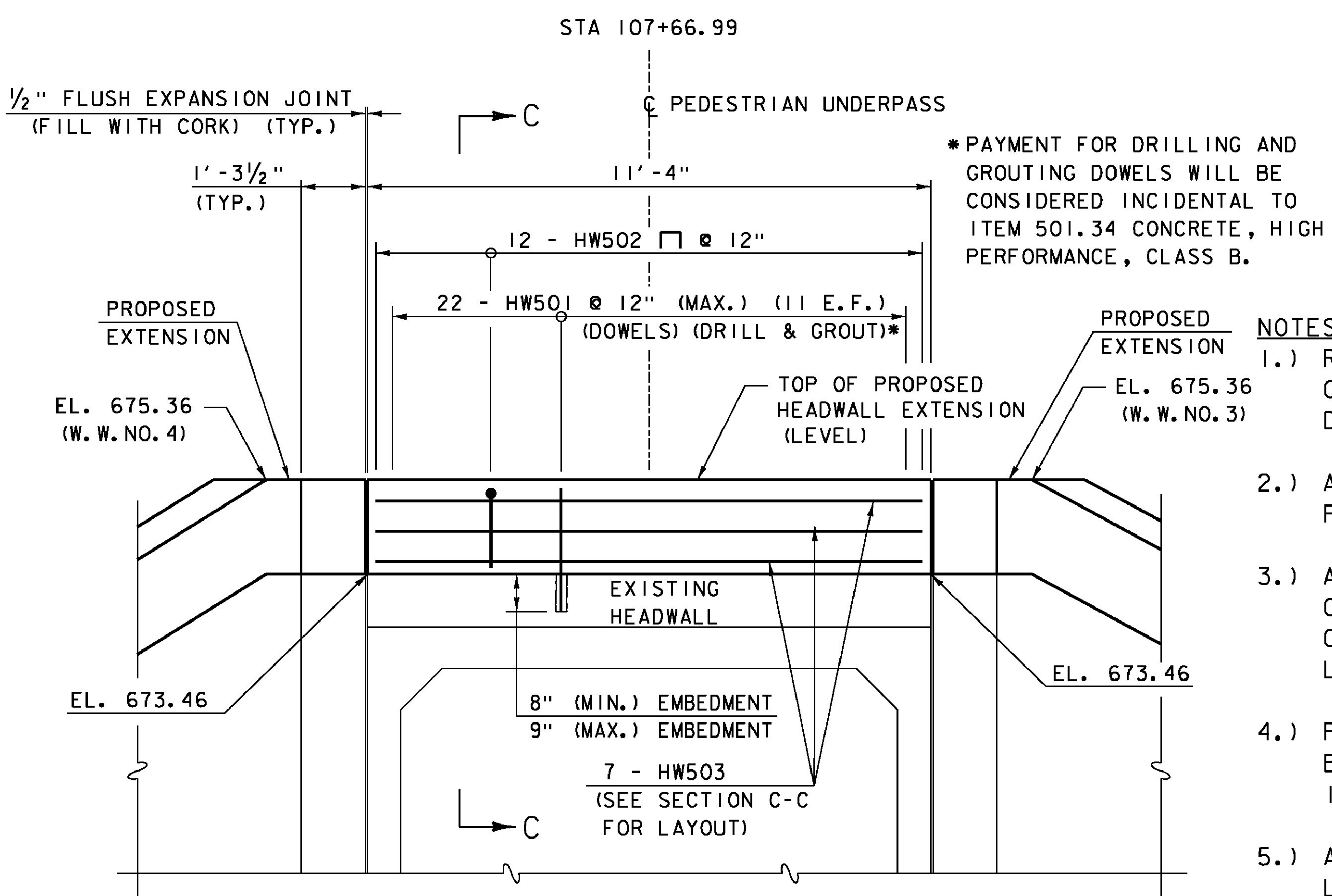
PARTIAL WINGWALL NO. 4 ELEVATION
SCALE: 1/2" = 1'-0"



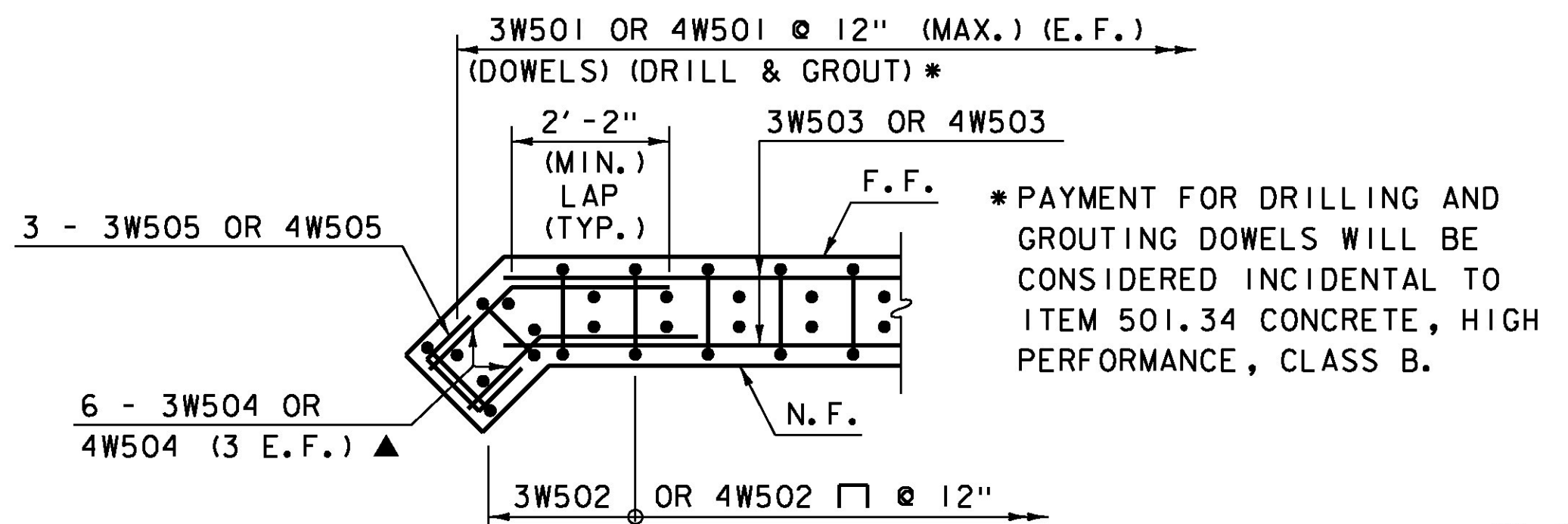
PARTIAL WINGWALL NO. 3 ELEVATION
SCALE: 1/2" = 1'-0"



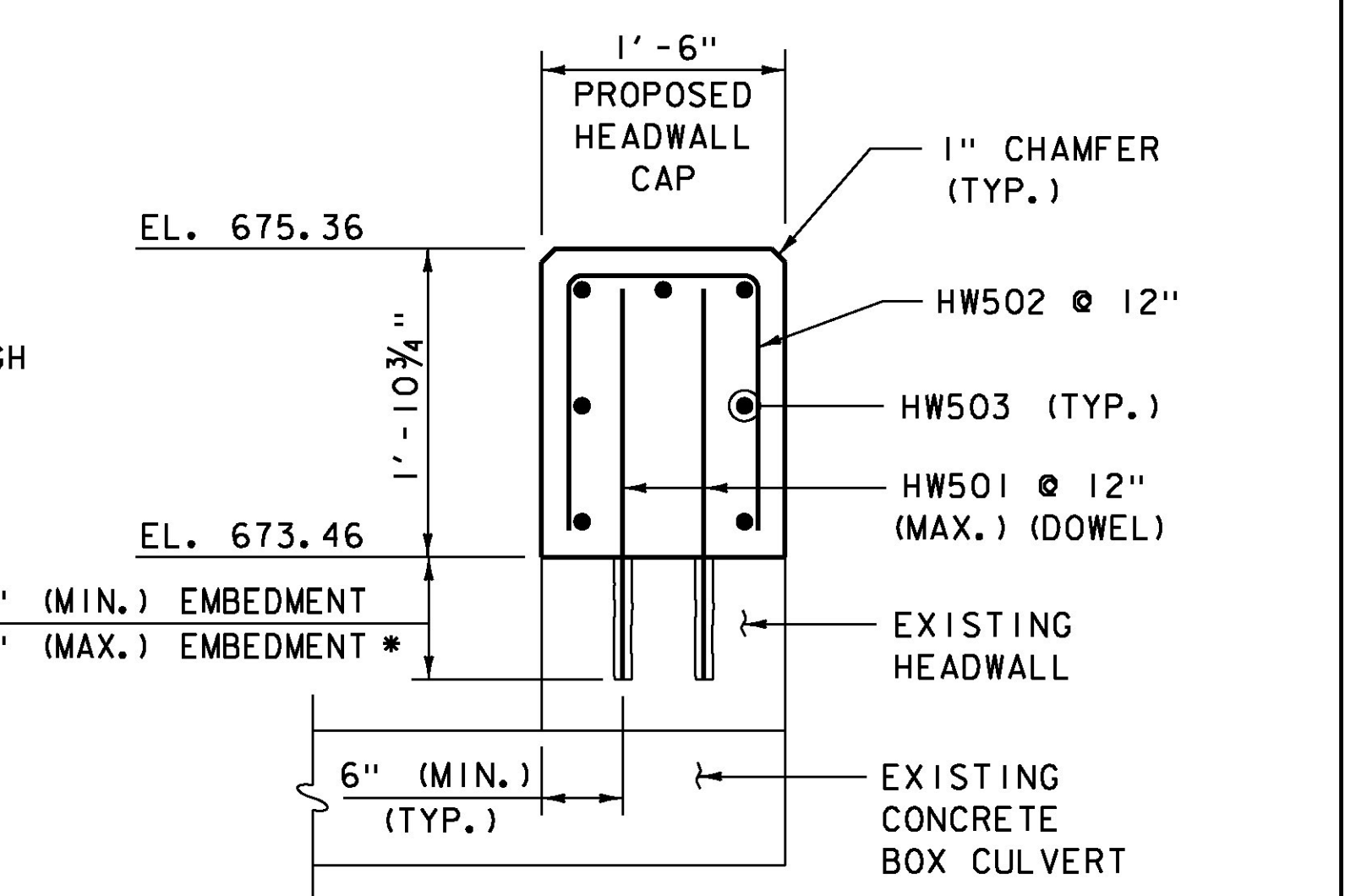
SECTION A-A
SCALE: 1" = 1'-0"



PARTIAL PEDESTRIAN CULVERT (EAST ELEVATION)
SCALE: 1/2" = 1'-0"



SECTION B-B WINGWALL CORNER DETAIL
SCALE: 1/2" = 1'-0"

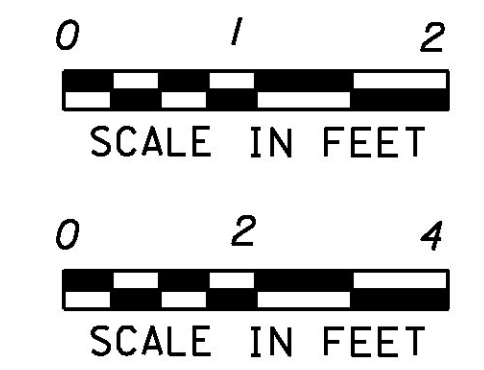


SECTION C-C
SCALE: 1" = 1'-0"

- NOTES:**
- 1.) REINFORCING LENGTHS ARE BASED UPON ORIGINAL PLAN DIMENSIONS. CONTRACTOR TO FIELD VERIFY ALL EXISTING CULVERT AND WINGWALL DIMENSIONS PRIOR TO REBAR FABRICATION.
 - 2.) ALL NEW CONCRETE WILL BE PAID FOR UNDER ITEM 501.34 - CONCRETE, HIGH PERFORMANCE CLASS B.
 - 3.) ALL REINFORCING STEEL SHALL HAVE 2 1/2" CLEAR COVER TO EXPOSED CONCRETE, UNLESS OTHERWISE NOTED. ALL REINFORCING STEEL WILL BE EPOXY COATED, AND WILL BE PAID FOR UNDER ITEM 507.11 REINFORCING STEEL, LEVEL 1.
 - 4.) PRIOR TO PLACING NEW CONCRETE AGAINST EXISTING CONCRETE SURFACES, BLAST CLEAN THE EXISTING CONCRETE SURFACES. PAYMENT WILL BE CONSIDERED INCIDENTAL TO ITEM 501.34 - CONCRETE, HIGH PERFORMANCE CLASS B.
 - 5.) ALL EXPOSED NEW CONCRETE SURFACES SHALL BE CLEANED OF SAND AND DEBRIS. LIGHTLY BLAST CLEAN AS DIRECTED BY THE ENGINEER AND COATED WITH WATER REPELLENT. CLEANING/SAND BLASTING WILL BE CONSIDERED INCIDENTAL TO ITEM 514.10, WATER REPELLENT SILANE. PAYMENT FOR WATER REPELLENT SILANE WILL BE MADE UNDER ITEM 514.10 - WATER REPELLENT, SILANE.

LEGEND

- N.F. = NEAR FACE
- F.F. = FAR FACE
- E.F. = EACH FACE
- ▲ = CUT TO FIT IN FIELD



PROJECT NAME: MORRISTOWN	FILE NAME: z15t047de+2.dgn	PLOT DATE: 5/13/2016
PROJECT NUMBER: STPG SGNL(47)	PROJECT LEADER: J. SANTACRUCE	DRAWN BY: S. MERKWAN
	DESIGNED BY: D. KULL	CHECKED BY: B. COLBURN
	PEDESTRIAN CULVERT DETAIL SHEET	SHEET 8 OF 58

