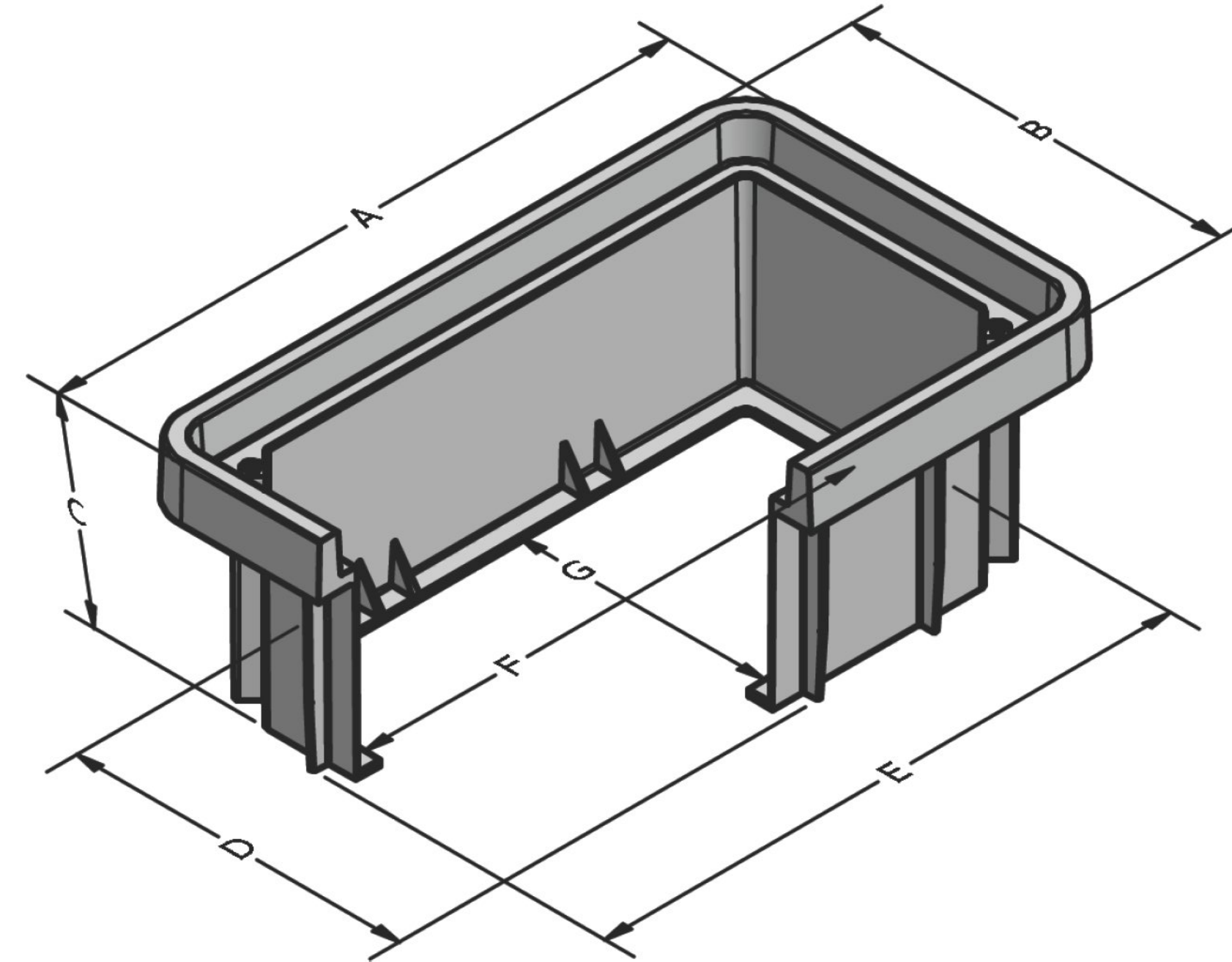
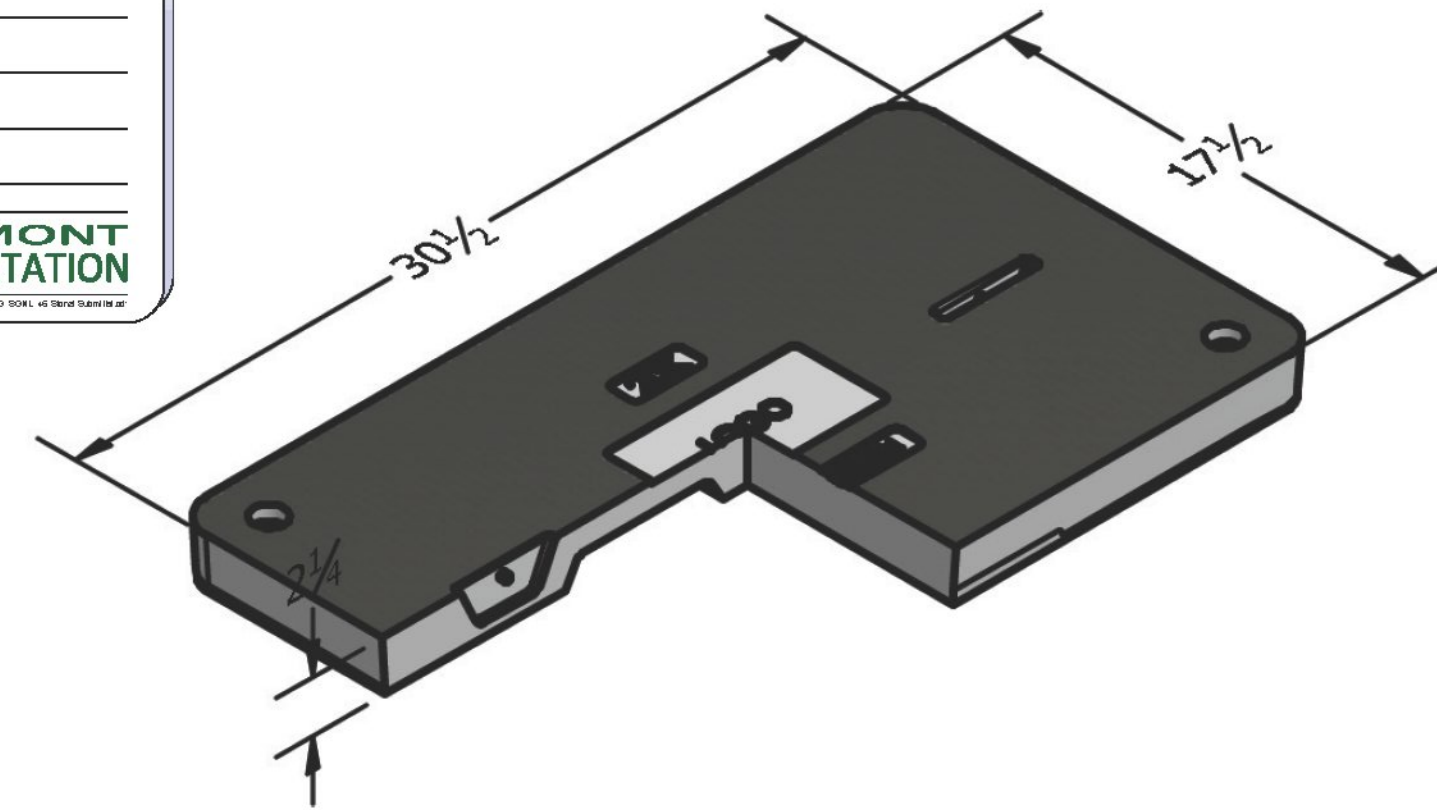


Approved

BY: M. Lacroix
 DATE: 08/01/2017
 RESUBMIT: No
 RECEIVED: July 31, 2017
 CKD BY: K. Record

STATE OF VERMONT
 AGENCY OF TRANSPORTATION

1730



COVER:

Style: Flush Solid
 Material: DuoMold Composite
 Model: 17" x 30"
 Weight: 70 lbs
 Std. Fasteners: 1/2-13 Stainless Steel Hex Head Bolt, Self-Locating Insert
 Options: Logos and Special Markings
 Surface: Slip Resistant & Marked*
 Coefficient of Friction: >0.6 ASTM 1028
 Performance: ANSI/SCTE-77 Tier 15, WUC 3.6
 ASTM C857 A-12

BODY:

Material: DuoMold Composite
 Model: 17" x 30"
 Weight: 12" Depth: 42 lbs
 18" Depth: 50 lbs
 24" Depth: 58 lbs
 Wall Type: Straight
 Mouseholes: 0-4
 Performance: ANSI/SCTE-77 Tier 15, WUC 3.6
 ASTM C857 A-12

Bodies are stackable** to Depths of: 30", 36", 42", 48"

	A	B	C	D	E	F	G
1730-12	33	20	12-1/8	17-3/4	30-3/4	26-1/4	13-1/4
1730-18	33	20	18-1/8	17-3/4	30-3/4	26-1/4	13-1/4
1730-24	33	20	24-1/8	17-3/4	30-3/4	26-1/4	13-1/4

Cover Label: "Traffic Signal"

* Cover comes standard with permanent markings for manufacturer, load rating, model size and manufacturing location.

Contact your Oldcastle Enclosure Solutions Distribution Center for specific information and additional options.



For use in non-vehicular traffic situations only.

Actual load rating is determined by the box and cover combination.
 Weights and dimensions may vary slightly
 **Stacked body units are currently not rated.