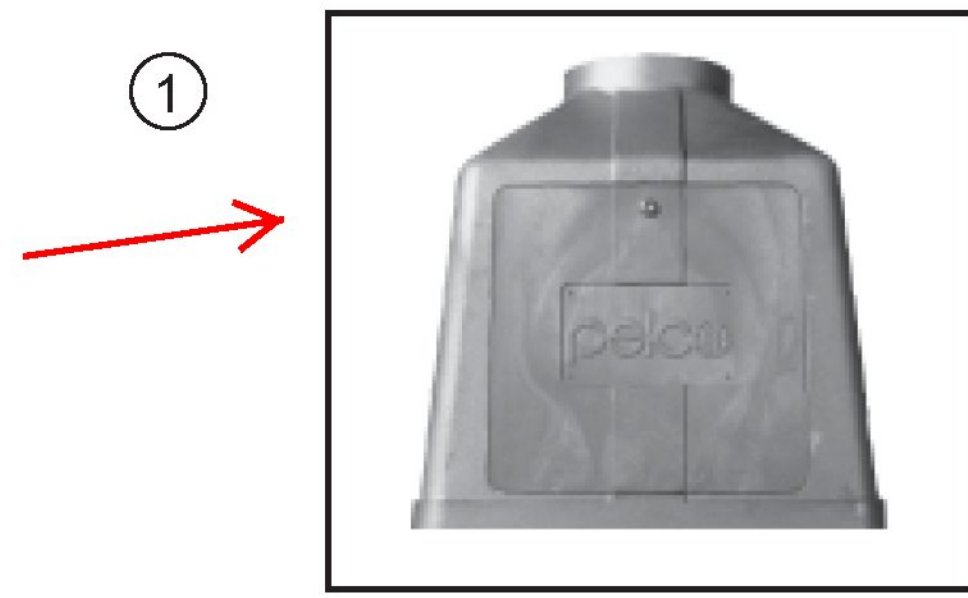


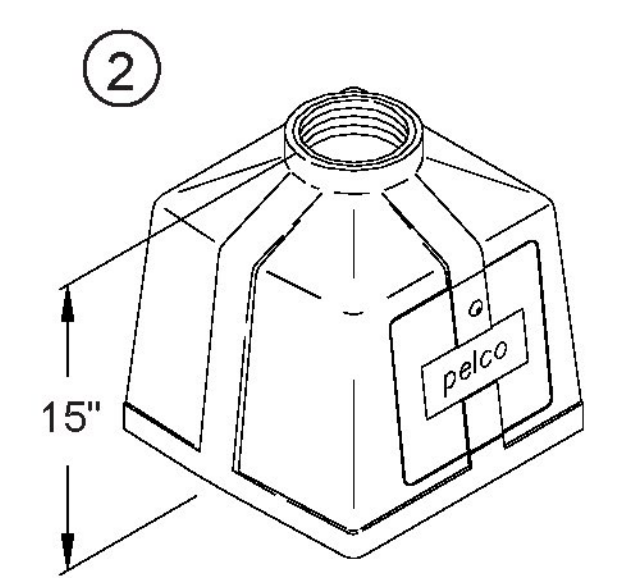
Approved
 BY: M. [Signature]
 DATE: 08/01/2017
 RESUBMIT: No
 RECEIVED: July 31, 2017
 CKD BY: K. [Signature]
 STATE OF VERMONT
 AGENCY OF TRANSPORTATION



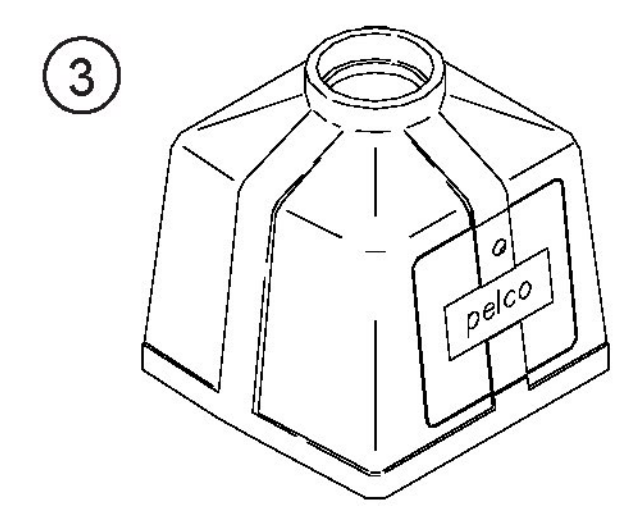
POLES AND BASES Pedestal Bases



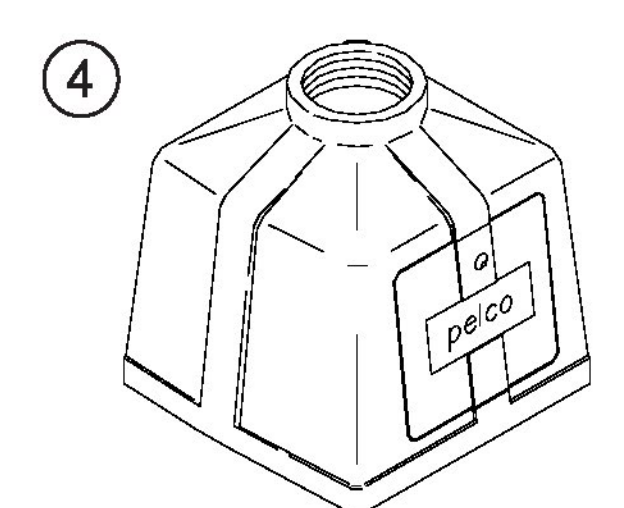
ITEM	DESCRIPTION	WEIGHT	PART NO.
SQUARE BASE ASSEMBLY:			
①	Aluminum	22.5 lbs.	PB-5335
	Aluminum, Heat Treated	22.5 lbs.	PB-5336
②	Alum w/ Steel Coupling	23.5 lbs.	PB-5341
③	Alum w/ Slip Fit	22.5 lbs.	PB-5339
④	Iron	76.0 lbs.	PB-5308
OCTAGONAL BASE ASSEMBLY:			
⑤	Alum w/ Alum door	25.0 lbs.	PB-5349
⑥	Alum w/ Steel Coupling and Alum Door	27.0 lbs.	PB-5351
⑦	Alum w/ Slip Fit and Alum Door	25.0 lbs.	PB-5350
⑧	Iron w/ Iron door	78.0 lbs.	PB-5310



ITEM 1 & 2 OPTIONS
DOOR: Alum, Plastic, or Blank Plastic
SETSCREWS IN COLLAR: (1) 3/8" Hex Hd Bolt (3) 3/8" Soc Hd Setscrews
GROUNDING LUG
PAINT

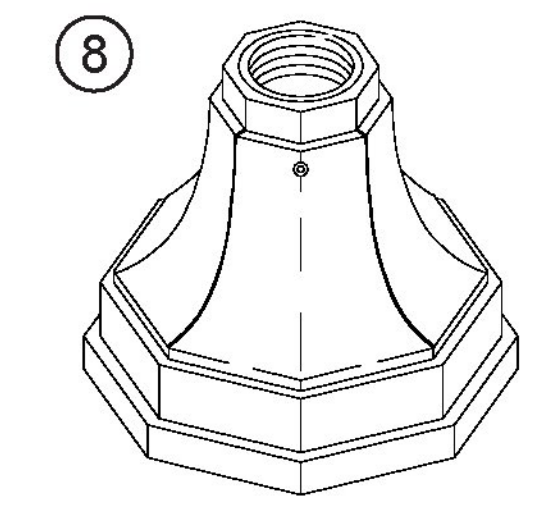
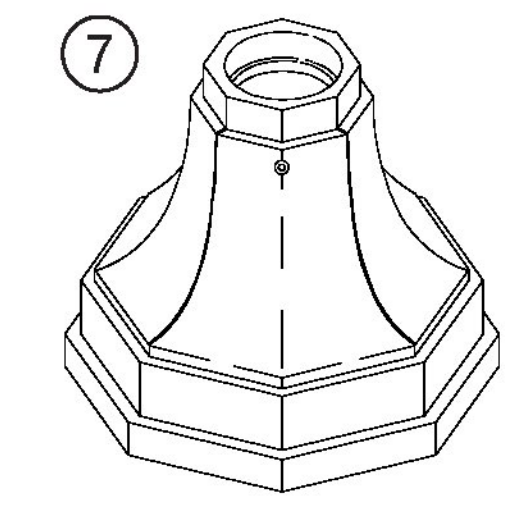
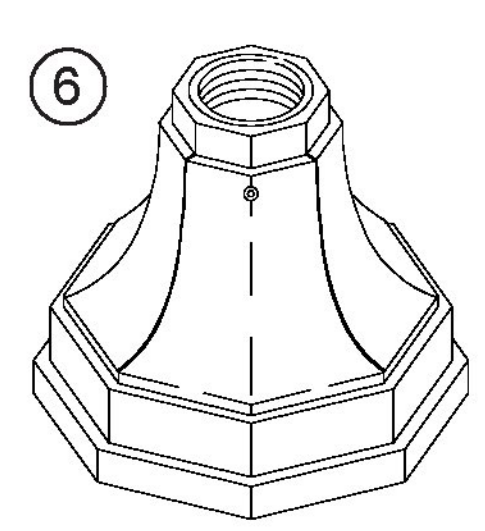
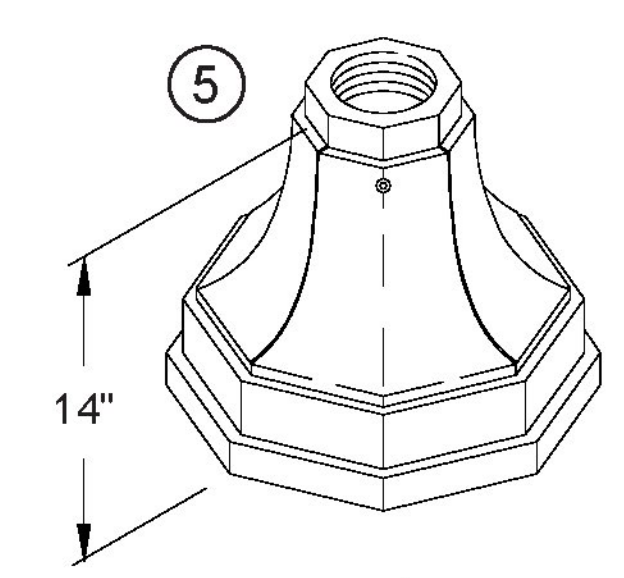
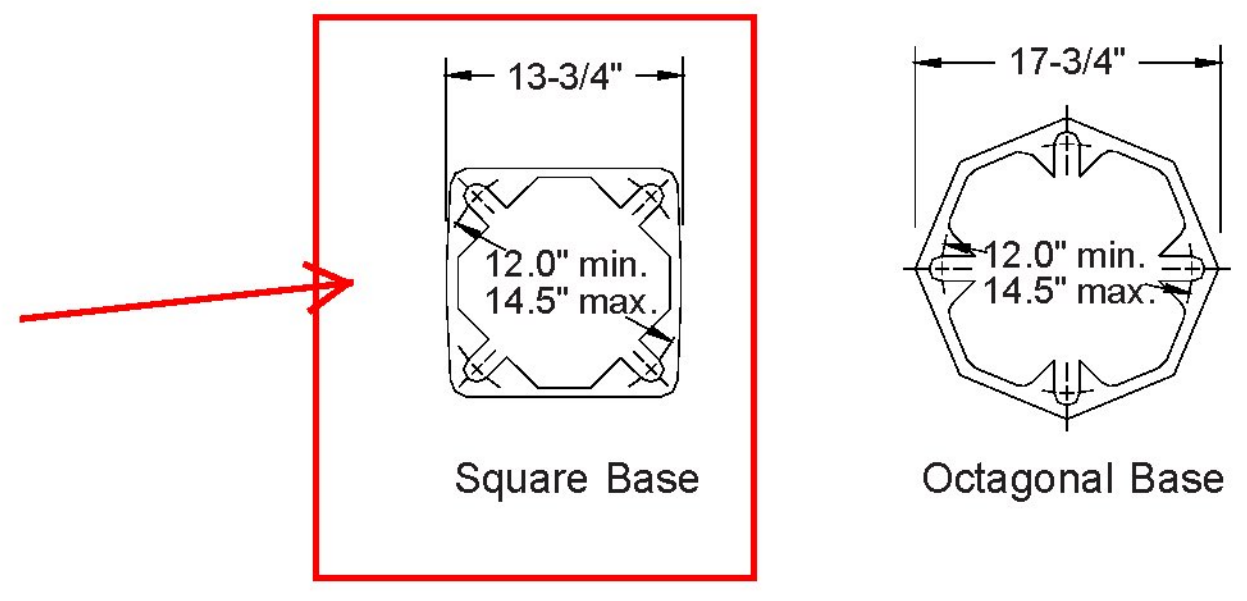


OPTIONS
DOOR: Alum, Plastic, or Blank Plastic
GROUNDING LUG
PAINT



OPTIONS
SETSCREWS IN COLLAR: (1) 3/8" Hex Hd Bolt (3) 3/8" Soc Hd Setscrews
GROUNDING LUG
GALVANIZE
PAINT

- Notes:
1. AASHTO Certified Square Aluminum Base: All Aluminum square bases above are available with AASHTO Certifications and FHWA approval. Please specify by adding the Certification Part No. C-1001 in addition to the base part number.
 2. All assemblies are supplied standard with stainless fasteners.
 3. Please specify options when ordering.



ITEM 5 & 6 OPTIONS
SETSCREWS IN COLLAR: (1) 3/8" Hex Hd Bolt (3) 3/8" Soc Hd Setscrews
GROUNDING LUG
PAINT

OPTIONS
GROUNDING LUG
PAINT

OPTIONS
SETSCREWS IN COLLAR: (1) 3/8" Hex Hd Bolt (3) 3/8" Soc Hd Setscrews
GROUNDING LUG
GALVANIZE
PAINT