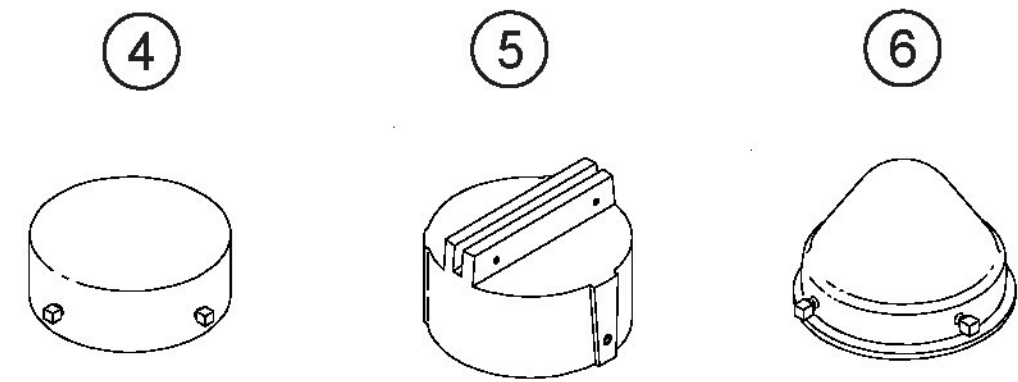
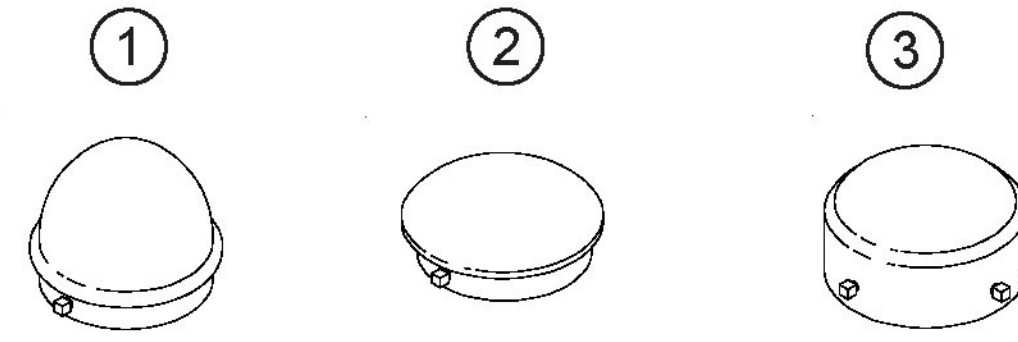


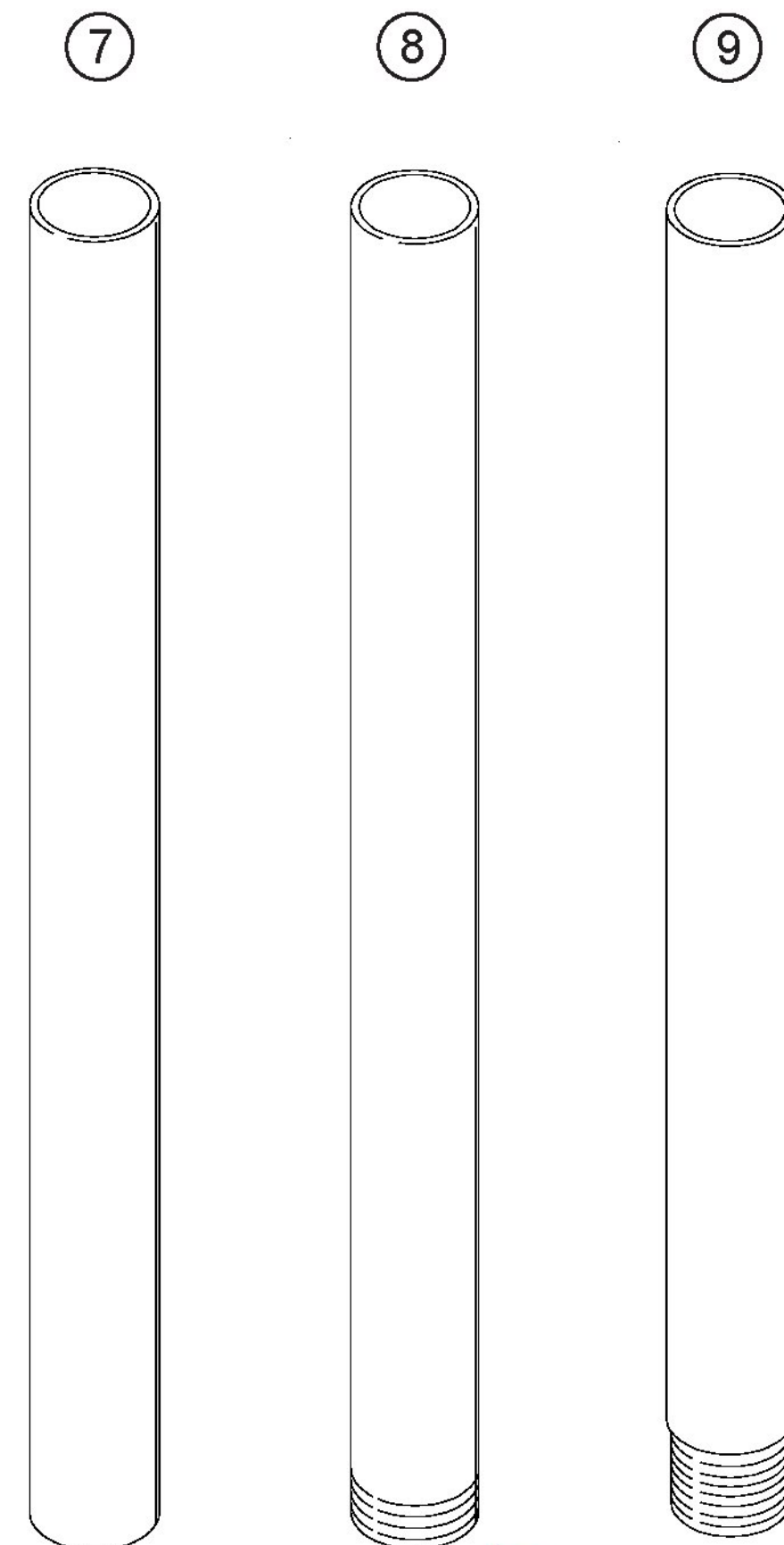
Approved
 BY: M. Lacroix
 DATE: 08/01/2017
 RESUBMIT: No
 RECEIVED: July 31, 2017
 CKD BY: K. Reardon
 STATE OF OKLAHOMA
 AGENCY OF TRANSPORTATION
 PELCO PRODUCTS, INC.



POLES AND BASES Pedestal Poles & Caps



ITEM 1-5 OPTIONS
 PAINT



ITEM	DESCRIPTION	WEIGHT	PART NO.
①	POLE CAP, Acorn Type, Alum: For 3" O.D. Pole For 3½" O.D. Pole For 4½" O.D. Pole 1.4 lbs.		PB-5403 PB-5407 PB-5401
②	POLE CAP, Dome Type, Alum: For 4½" O.D. Pole 1.3 lbs.		PB-5402
③	POLE / ARM CAP, Alum: For 2-5/16" to 3½" O.D. Pole For 3" to 4" O.D. Pole For 4-3/16" to 5-3/16" O.D. Pole For 5-3/16" to 6-3/16" O.D. Pole For 6-1/8" to 7-1/8" O.D. Pole For 7-3/16" to 8¼" O.D. Pole For 8-3/16" to 9-3/16" O.D. Pole For 9-7/16" to 10-7/16" O.D. Pole		AP-0101 AP-0102 AP-0103 AP-0104 AP-0105 AP-0106 AP-0107 AP-0108
④	POLE / ARM CAP, Alum: For 10-11/16" to 11-11/16" O.D. Pole For 11-7/8" to 12-11/16" O.D. Pole		AP-0109 AP-0110
⑤	POST TOP CAP, 4", Alum: For Extruded Sign Blade For Flat Sign Blade		SH-1608 SH-1615
⑥	POLE CAP, ABS Plastic: For up to 4" O.D. Pole For up to 5" O.D. Pole		AP-0805 AP-0806
⑦	POLE, Spun Alum: No Threads, Sch 40, 4½" O.D. x .237" Wall	3.8 lbs.	PB-5101
⑧	POLE, Spun Alum: TOE, Sch 40, 4½" OD x .237" Wall TOE, Sch 80, 4½" OD x .438" Wall	3.8 lb/ft 5.2 lb/ft	PB-5100 PB-5102
	POLE, Steel TOE, Sch 40, 4½" OD x .237" Wall, Steel	11.5 lb/ft	PB-5201
	TOE, Sch 40, 4½" OD x .237" Wall, Galv	11.5 lb/ft	PB-5200
⑨	WELDED PEDESTAL POLE Steel Tube, 4½" x .125" Wall	5.9 lb/ft	PB-5204

Notes:

1. All assemblies are supplied standard with stainless fasteners.
3. Please specify options when ordering.

ITEM 7-9 OPTIONS
 LENGTH 7' & 9' & 13'
 PAINT P34 Flat Black