

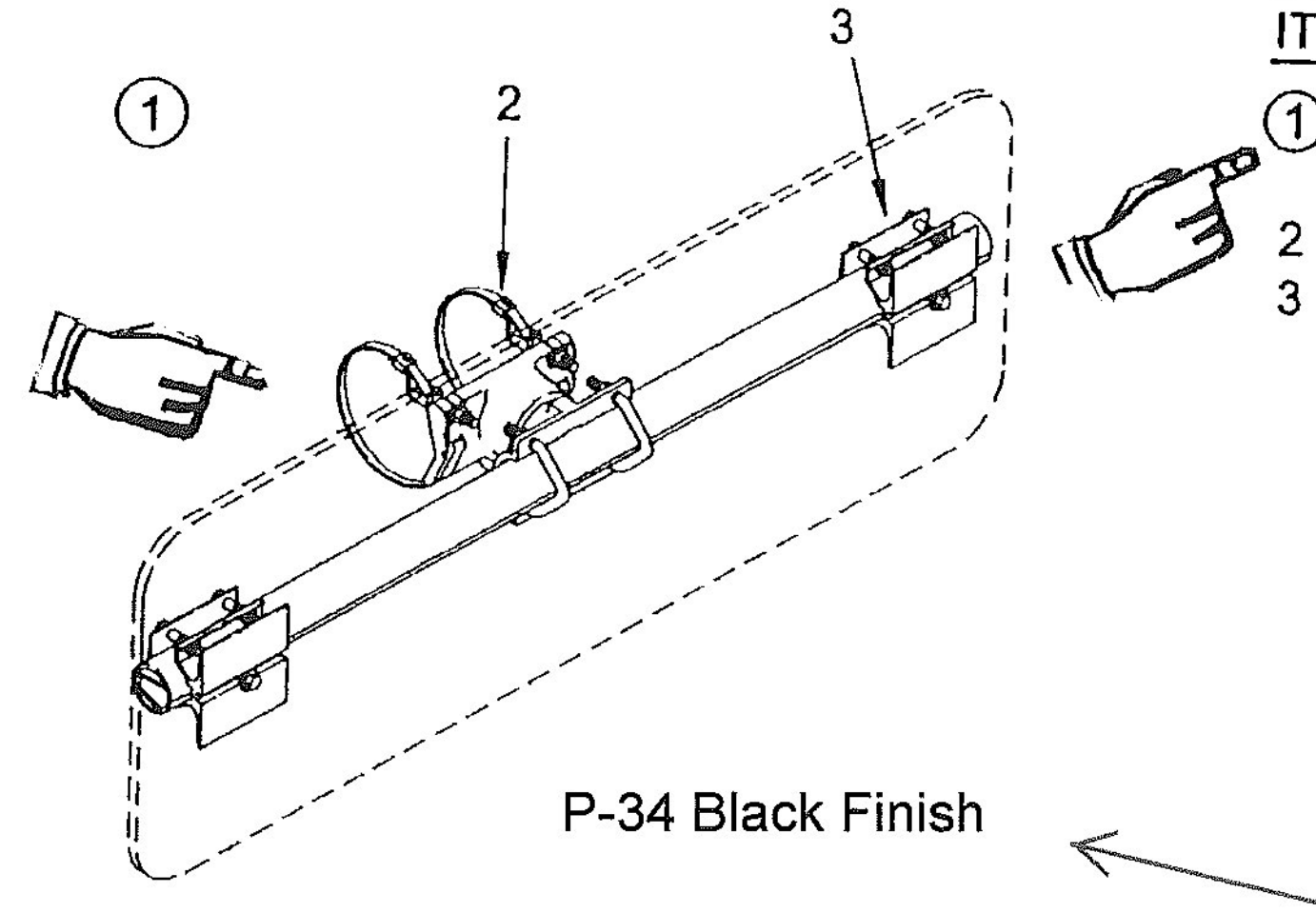


# SIGN MOUNTINGS

## Astro Sign-Brac Band Mount

**Approved**

BY: M. Lacroix  
 DATE: 08/01/2017  
 RECEIVED: [Signature]  
 FILED: [Signature]  
 CDD BY: [Signature]



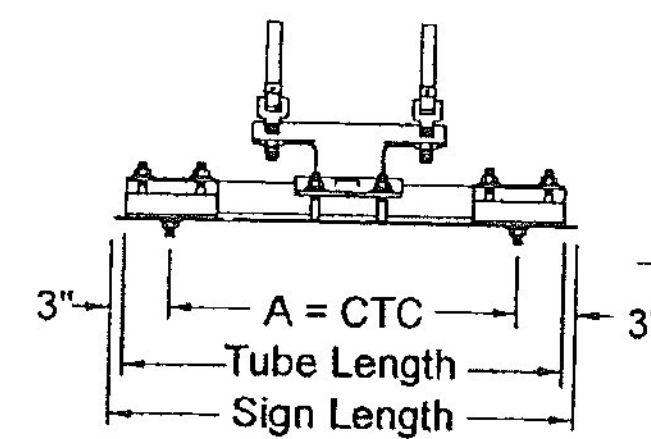
ITEM	DESCRIPTION	PART NO.
1	ASTRO SIGN-BRAC, Band Mount for Overhead Street Name Signs	AB-0128
2	CLAMP KIT, Band Mount	AB-3004
3	SIGN CLAMP, 4" w/ AB-5010 Hardware Kit	AB-0502

**Notes:**

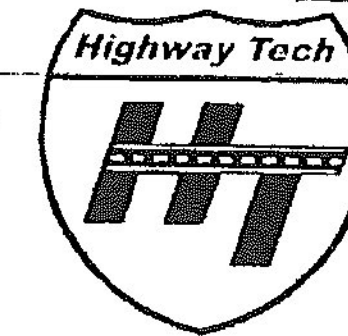
- All assemblies are supplied standard with stainless fasteners and natural aluminum alodine coating. Stainless upgrade to include stainless steel clamp screws.
- Suggested maximum sign face of 16 sq. ft. per bracket.
- Sign-Brac assemblies are available with Stellar Series Clamp Kits. To order, use prefix AS with part number.
- Please specify options when ordering.

SIGN LENGTH	TUBE LENGTH	CTC A
1'-6"	16"	12"
2'-0"	22"	18"
2'-6"	28"	24"
3'-0"	34"	30"

Maximum sign height: 48"



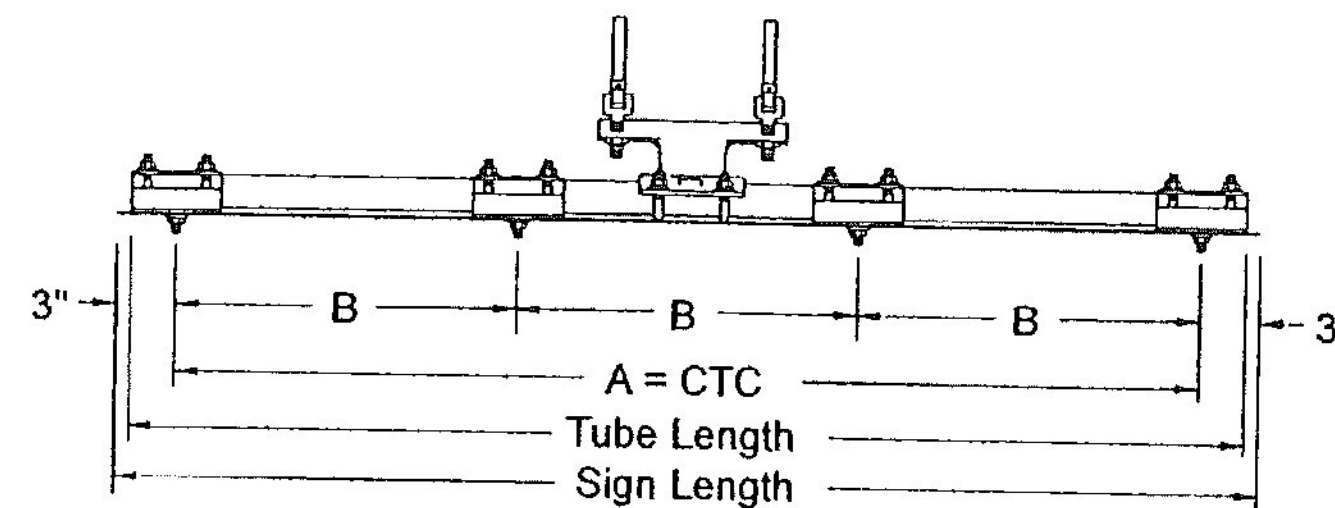
CTC DIMENSIONS (see charts)
BAND LENGTH: 29", 36", 42", 48", or 56"
STAINLESS UPGRADE
PAINT



Highway Tech Signal Equipment Sales, Inc  
 6 Sabattus Road / P.O. Box 1209  
 Sabattus, ME 04280  
 Tel. (207) 375-8248  
 Fax (207) 375-8279

SIGN LENGTH	TUBE LENGTH	CTC A	B
3'-6"	40"	36"	12"
4'-0"	46"	42"	14"
4'-6"	52"	48"	16"
5'-0"	58"	54"	18"
5'-6"	64"	60"	20"
6'-0"	70"	66"	22"
6'-6"	76"	72"	24"
7'-0"	82"	78"	26"
7'-6"	88"	84"	28"
8'-0"	94"	90"	30"

Maximum sign height: 24"



SIGN LENGTH	TUBE LENGTH	CTC A	B	C
8'-6"	100"	96"	19"	20"
9'-0"	106"	102"	20"	22"
9'-6"	112"	108"	21"	24"
10'-0"	118"	114"	22"	26"

Maximum sign height: 16"

