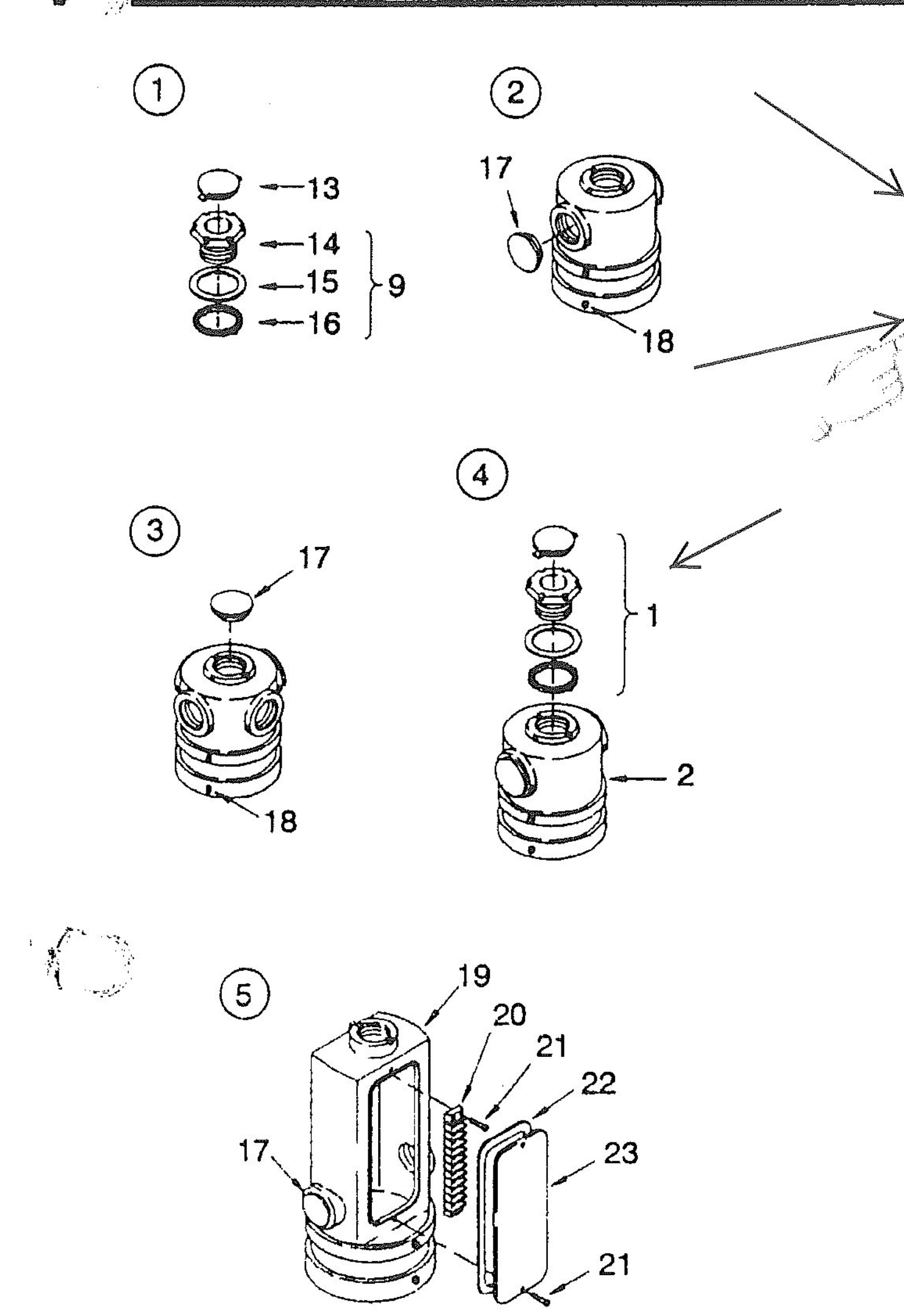


Approved
 BY: M. Lacroix
 DATE: 08/01/2017
 RESUBMIT: No
 RECEIVED: July 31, 2017
 CKD BY: K. Record

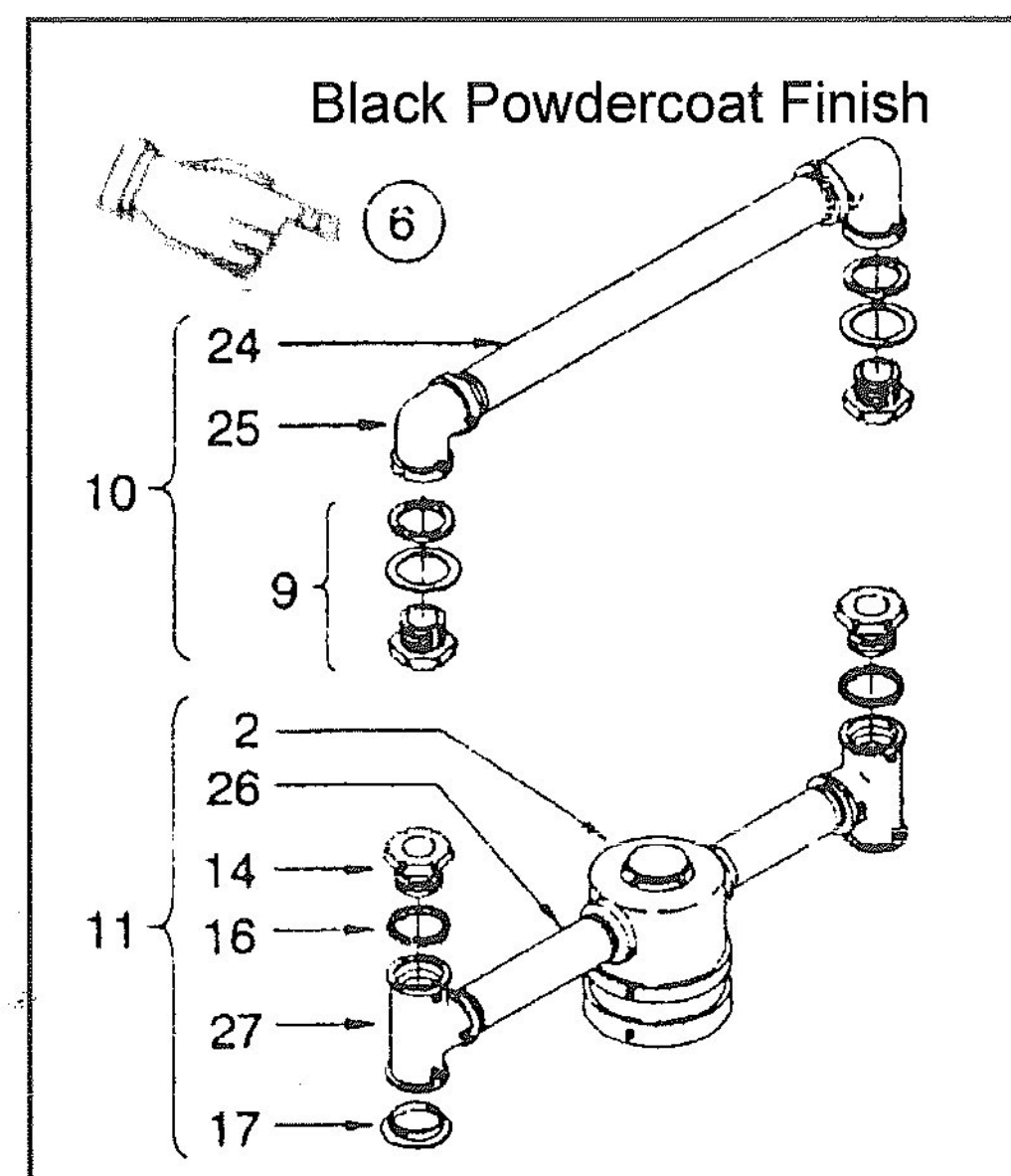


STATE OF VERMONT PELCO PRODUCTS, INC.
 AGENCY OF TRANSPORTATION

IRON POST TOP SIGNAL MOUNTINGS, 1 1/2"



ITEM	DESCRIPTION	PART NO.
①	SIGNAL MOUNTING KIT, Iron	SE-3174
②	1 & 2-WAY SLIP FITTER, Iron	SE-3175
③	3 & 4-WAY SLIP FITTER ASSY., Iron	SE-3176
④	1-WAY SLIP FITTER ASSY., Iron	SE-3177
⑤	POST TOP VERTICAL TERMINAL COMPARTMENT ASSEMBLY, Iron	SE-3178
⑥	2-WAY UPPER & LOWER SLIP FITTER ASSEMBLY, Iron	SE-3181
⑦	2-WAY SLIP FITTER ASSY., Iron	SE-3183
⑧	2-WAY SLIP FITTER ASSY. W/ Terminal Compartment, Iron	SE-3184
9	UPPER ASSEMBLY KIT, Iron	SE-3150
10	2-WAY UPPER ARM ASSY., Iron	SE-3179
11	2-WAY LOWER ARM ASSY., Iron	SE-3180
12	2-WAY UPPER ARM ASSY., Iron	SE-3182
13	SIGNAL CLOSURE KIT	SE-3054
14	CAST NIPPLE, Iron	SE-0435
15	NEOPRENE GASKET	SE-0354
16	SERRATED LOCKRING, Alum.	SE-0360
17	FITTING CAP, 1 1/2"	SE-0304
18	SETSCREW, Square Hd., 3/8"-16 x 3/4"	FS-3204
19	2-WAY TERMINAL COMPARTMENT, Iron	SE-4021
20	TERMINAL STRIP, 12 Circuit	SE-0317
21	SCREW, Self Tap, Phillips Pan Hd., #10-32 x 3/4"	FS-3922
22	GASKET, Door	SE-0402
23	DOOR, Plastic	SE-0485
24	NIPPLE, Steel, 1 1/2" x 14"	SE-0469-14
25	ELL, Iron	SE-4091
26	NIPPLE, Steel, 1 1/2" x 5"	SE-0469-05
27	TEE, Iron	SE-4092
28	VERTICAL SLIP TEE, Iron	SE-4022
29	NIPPLE, Steel, 1 1/2" x 6"	SE-0469-06
30	SUPPORT TUBE, Steel, 1 1/2" x 48"	SE-0491-48
31	SUPPORT TUBE, Steel, 1 1/2" x 37"	SE-0491-37



NOTE: UPPER & LOWER ARMS ARE 16 1/2" CTC.

