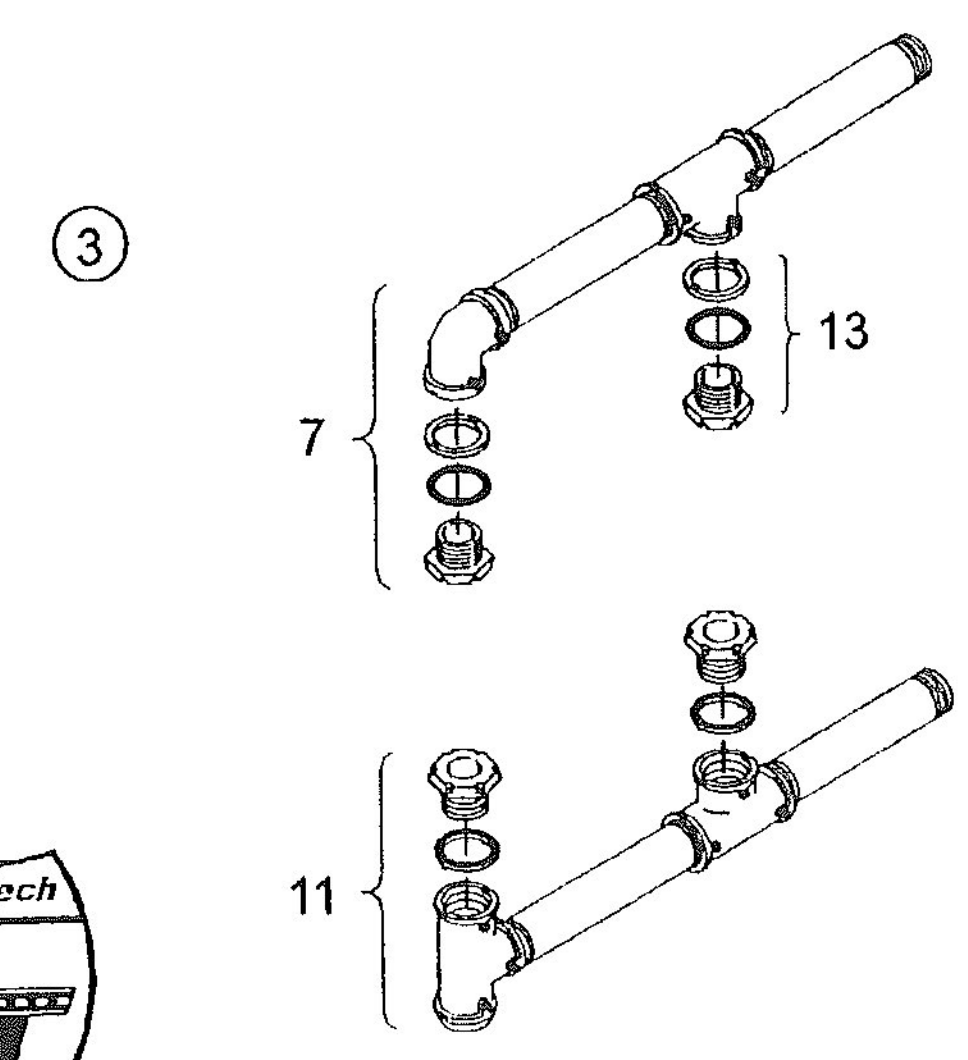
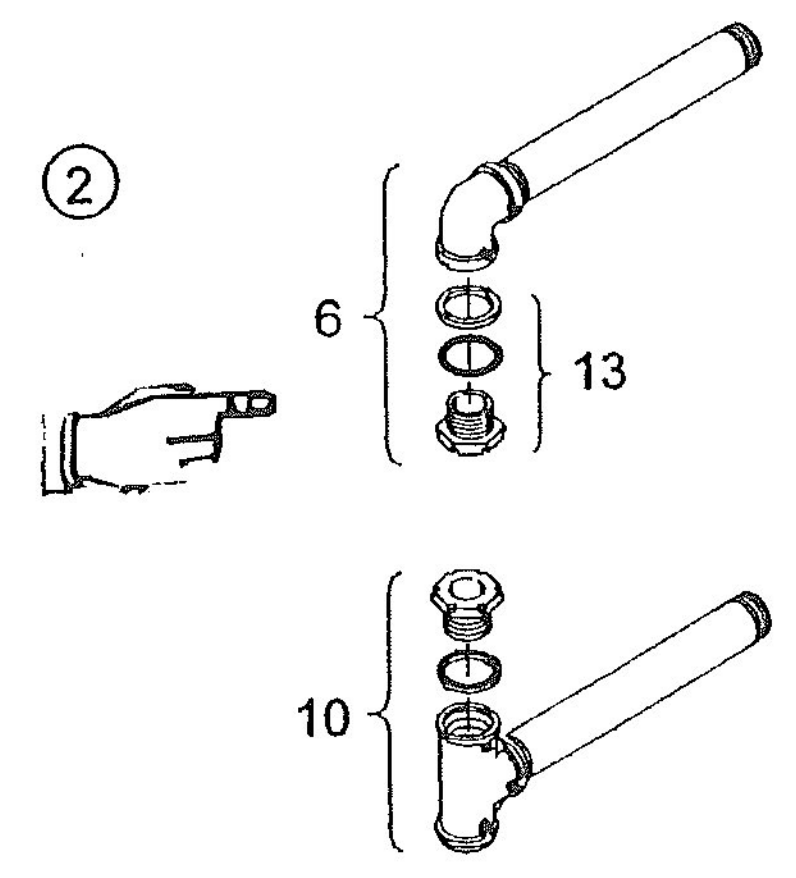
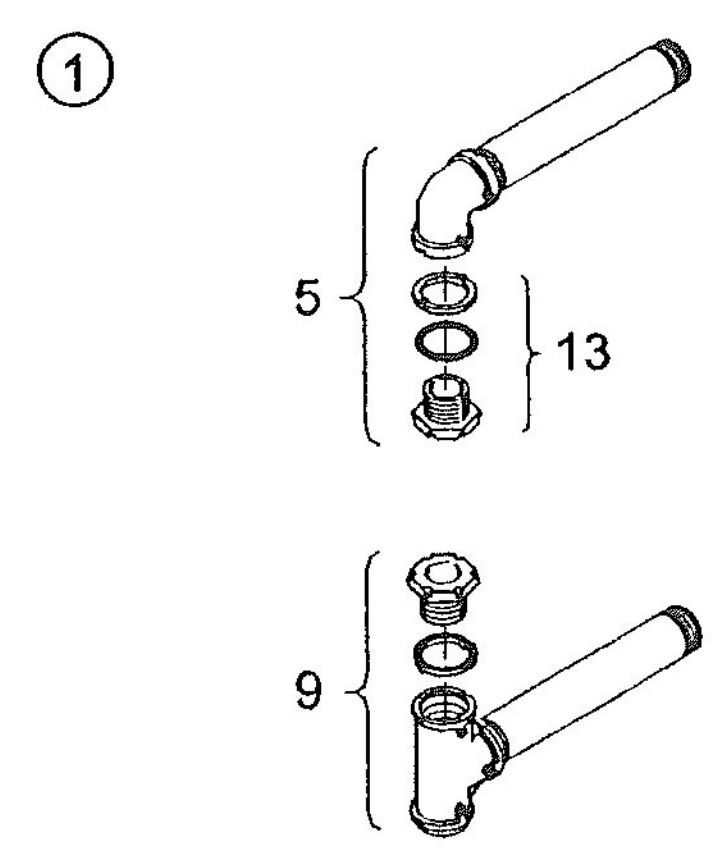


**Approved**  
 BY: M. Lacroix  
 DATE: 08/01/2017  
 RESUBMIT: No  
 RECEIVED: July 31, 2017  
 CKD BY: K. Record

STATE OF VIRGINIA  
 AGENCY OF TRANSPORTATION



# RIGID SIGNAL MTGS Iron Side-of-Pole, 1 1/2"



ITEM	DESCRIPTION	PART NO.
<b>UPPER &amp; LOWER ARM ASSY:</b>		
①	1-Way w/ 10" Nipples, Iron	SE-3167
②	1-Way ICC Ped Hd w/ 12" Nipples, Iron	SE-3248
③	2-Way Tandem w/ 10" Nipples, Iron	SE-3173
④	2-Way, Iron	SE-3170
<b>UPPER ARM ASSY:</b>		
5	1-Way w/ 10" Nipple, Iron	SE-3165
6	1-Way w/ 12" Nipple, Iron	SE-3246
7	2-Way Tandem w/ 10" Nipples, Iron	SE-3171
8	2-Way, Iron	SE-3168
<b>LOWER ARM ASSY:</b>		
9	1-Way w/ 10" Nipple, Iron	SE-3166
10	1-Way w/ 12" Nipple, Iron	SE-3247
11	2-Way Tandem w/ 10" Nipples, Iron	SE-3172
12	2-Way, Iron	SE-3169
13	UPPER ASSY KIT, Iron	SE-3150

- Notes:**
- All assemblies are supplied standard with stainless steel fasteners.
  - See section T11 for available hubs.
  - Please specify options when ordering.

OPTIONS
PAINT

Black Paint

