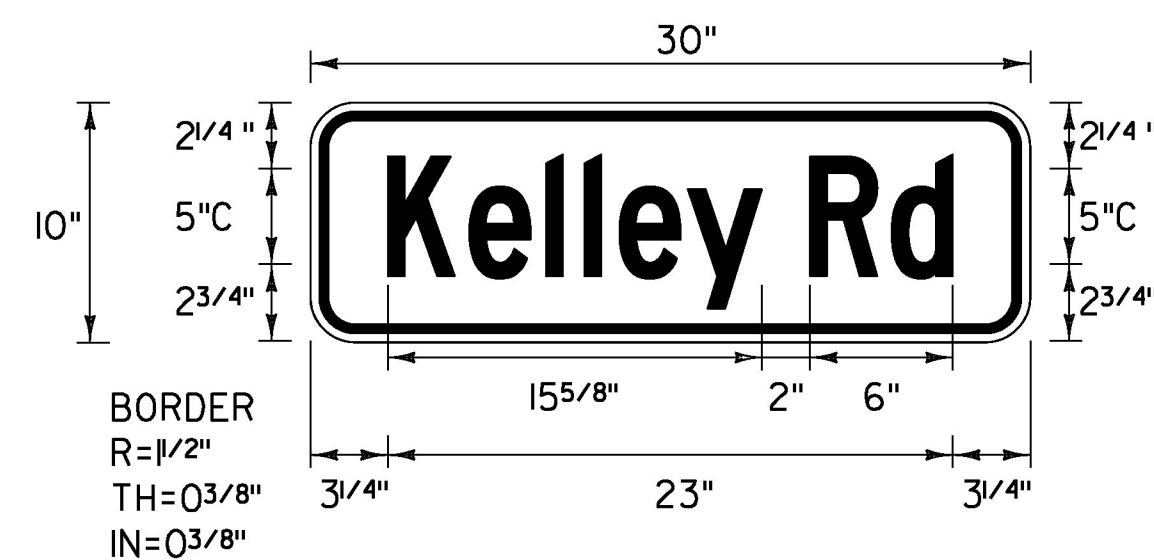


W16-8P

LOCATION: UNDERHILL: EASTBOUND
MM 1.757
UNDERHILL: WESTBOUND
MM 2.013

COLOR: BLACK BORDER AND TEXT WITH
YELLOW (RETROREFLECTIVE) BACKGROUND

MATERIAL: PER CHART ON VAOT STANDARD T-2

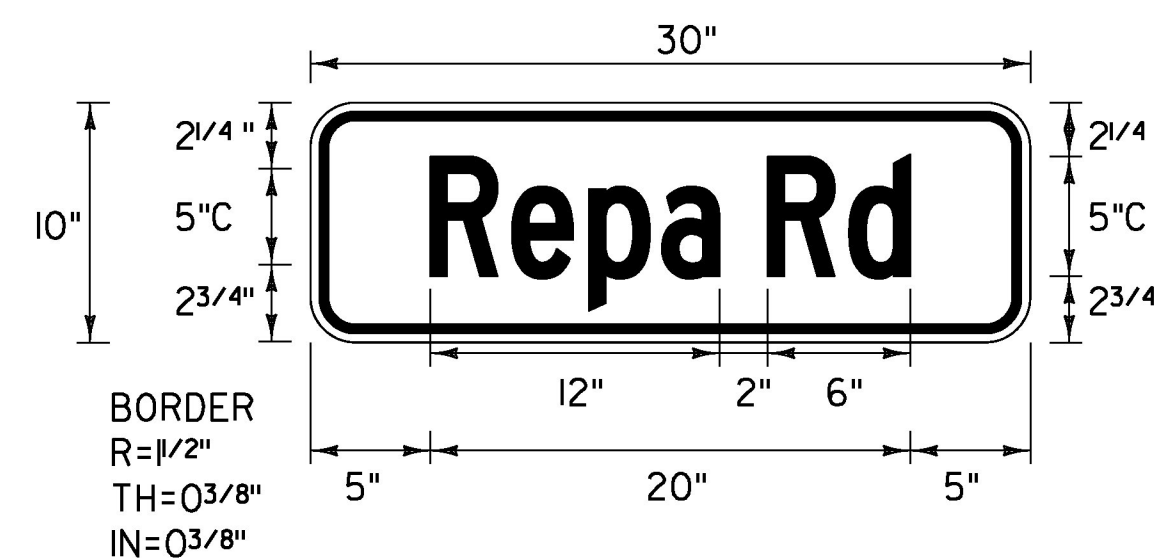


W16-8P

LOCATION: UNDERHILL: EASTBOUND
MM 2.160

COLOR: BLACK BORDER AND TEXT WITH
YELLOW (RETROREFLECTIVE) BACKGROUND

MATERIAL: PER CHART ON VAOT STANDARD T-2

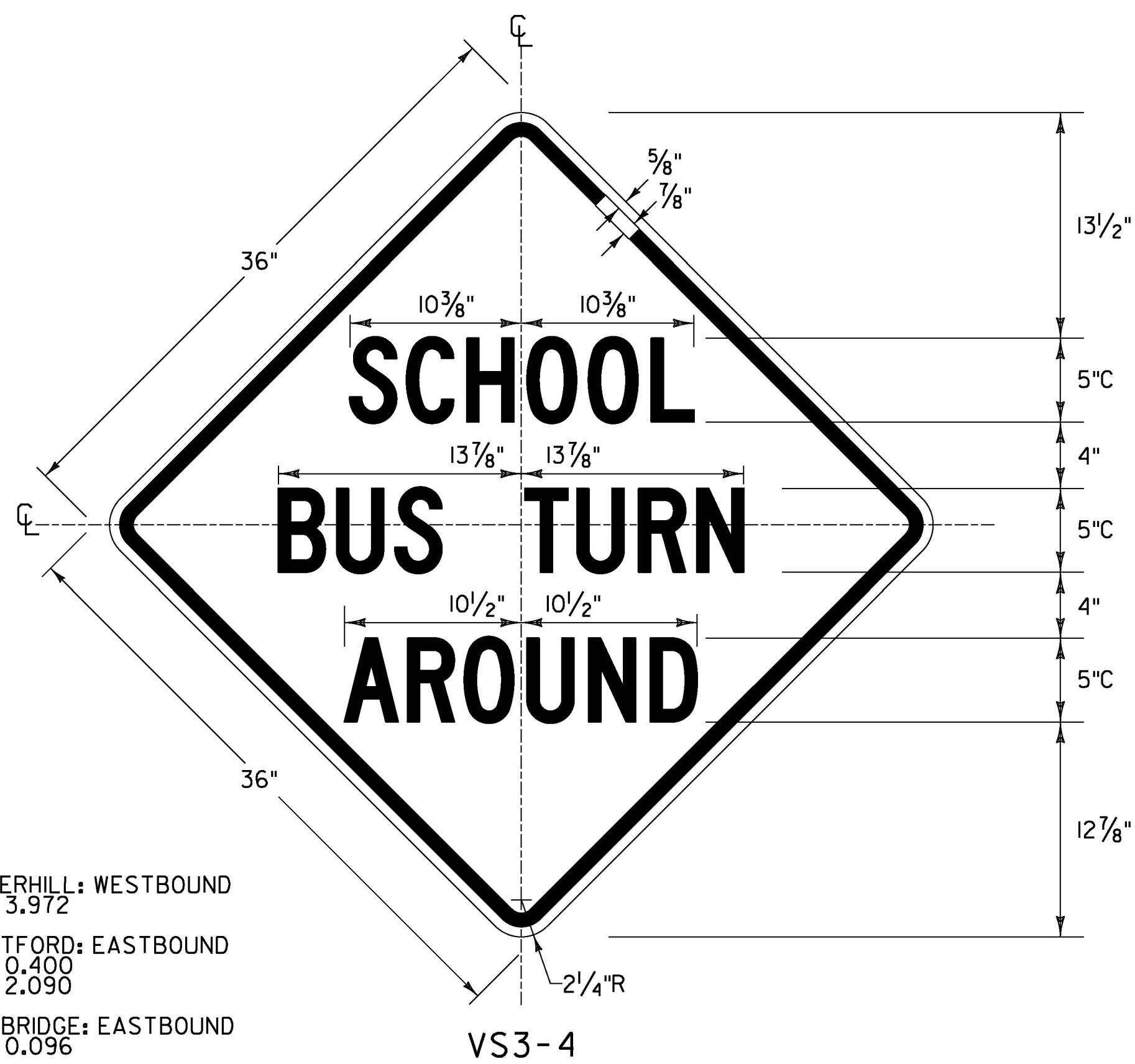


W16-8P

LOCATION: UNDERHILL: EASTBOUND
MM 2.510
UNDERHILL: WESTBOUND
MM 2.700

COLOR: BLACK BORDER AND TEXT WITH
YELLOW (RETROREFLECTIVE) BACKGROUND

MATERIAL: PER CHART ON VAOT STANDARD T-2



VS3-4

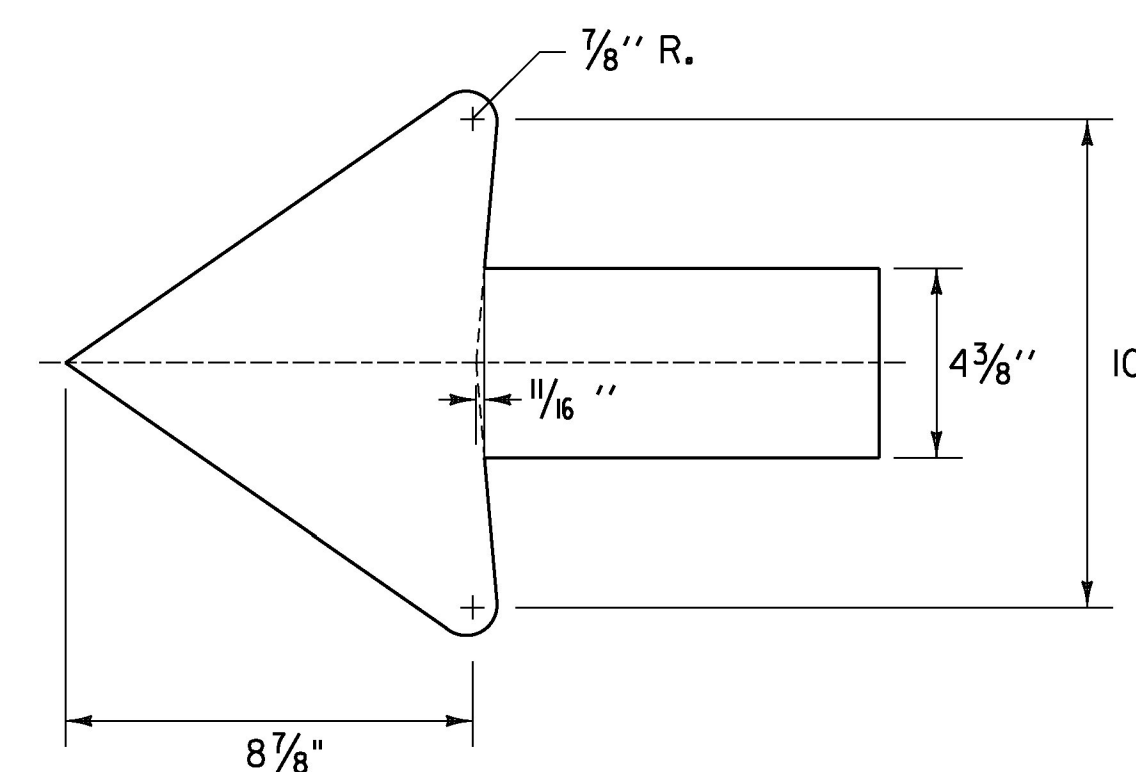
LOCATION: UNDERHILL: WESTBOUND
MM 3.972

WESTFORD: EASTBOUND
MM 0.400
MM 2.090

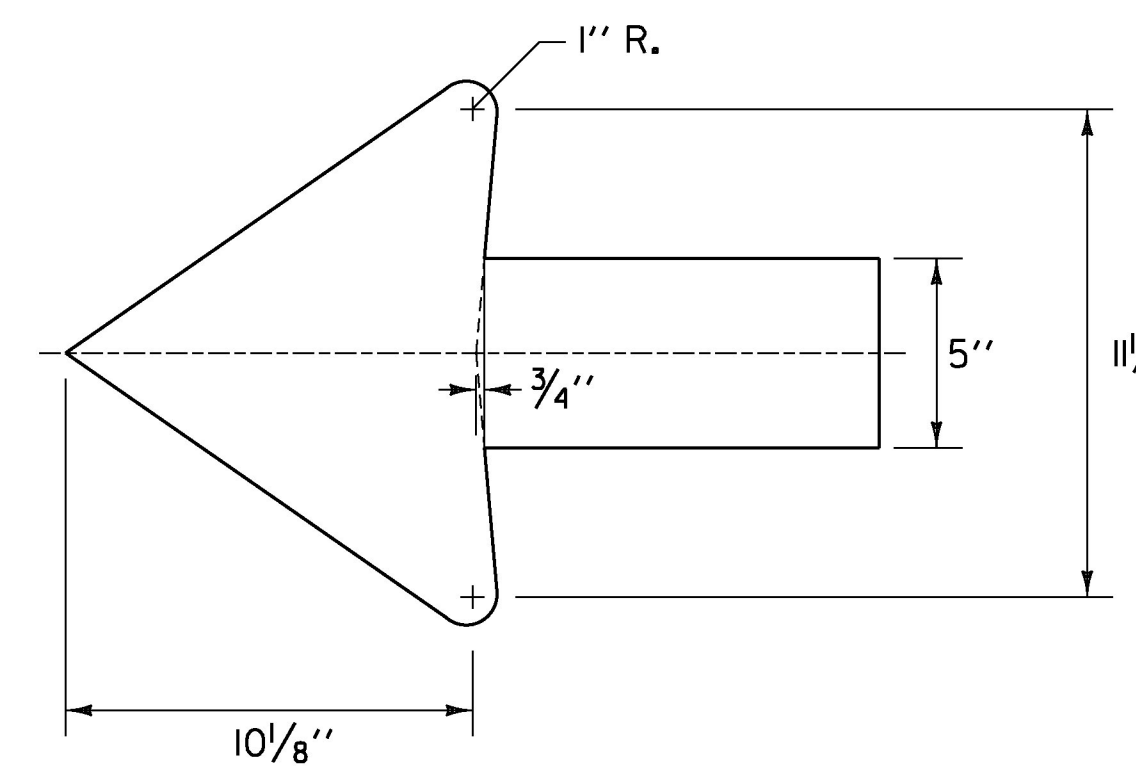
CAMBRIDGE: EASTBOUND
MM 0.096

COLOR: BLACK BORDER AND TEXT WITH
FLUORESCENT YELLOW-GREEN (RETROREFLECTIVE) BACKGROUND

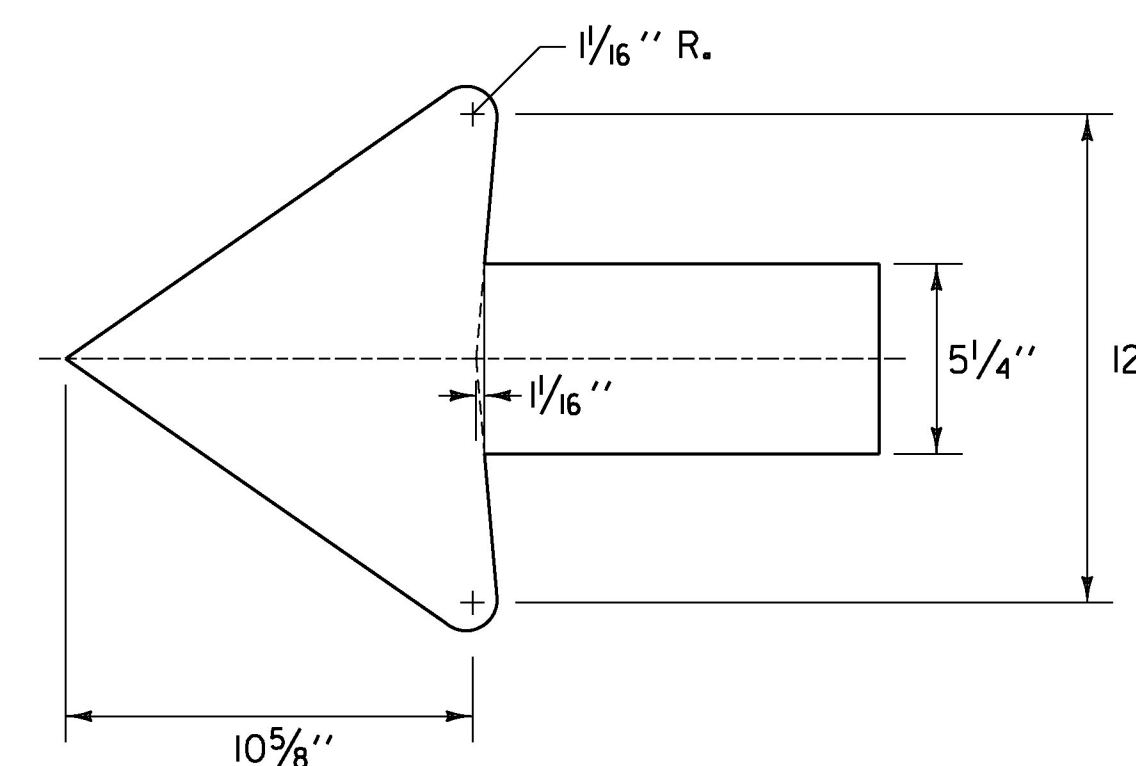
MATERIAL: PER CHART ON VAOT STANDARD T-2



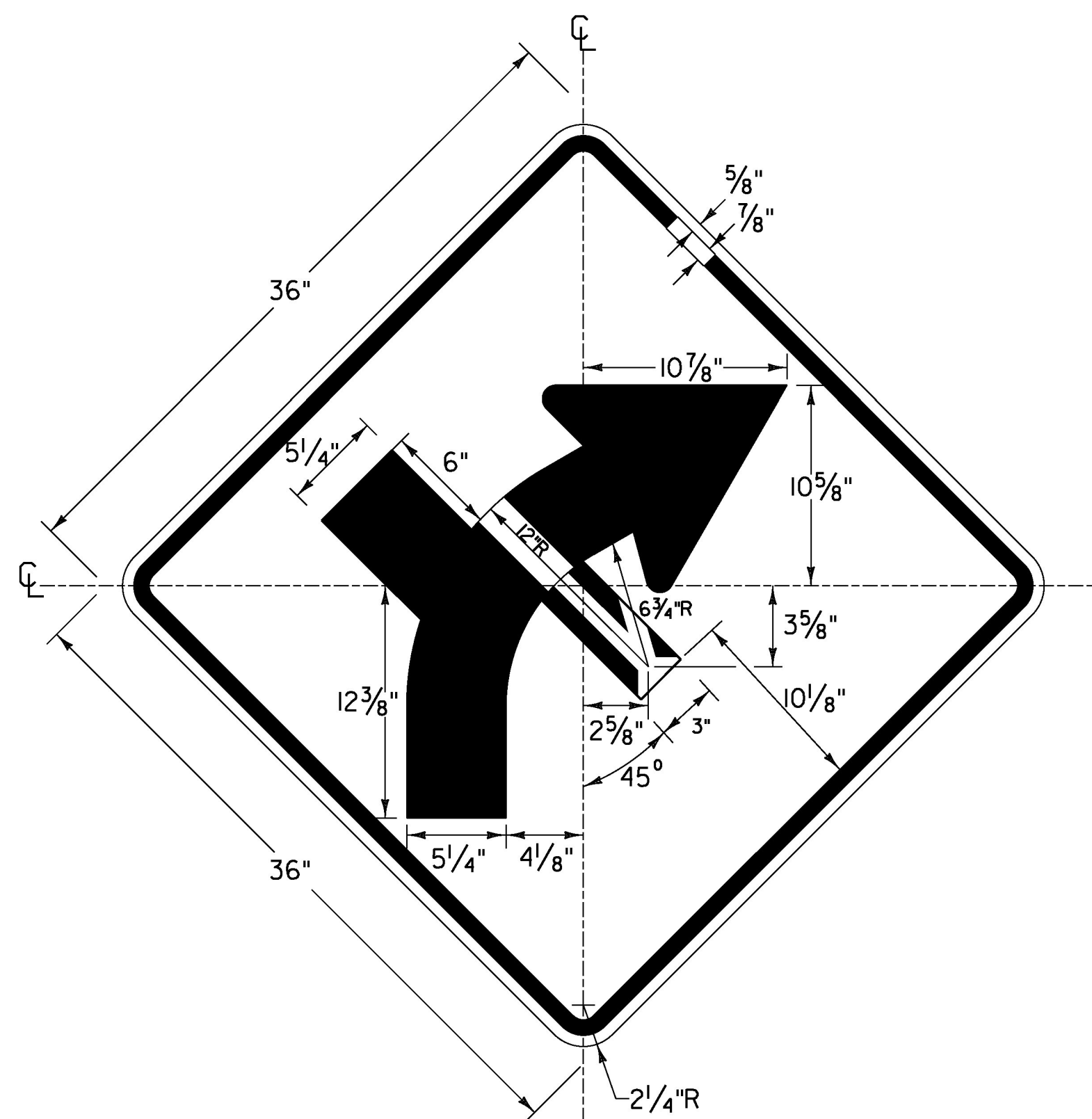
STANDARD SHSM 4.375" ARROW



STANDARD SHSM 5" ARROW



STANDARD SHSM 5.25" ARROW



W1-10R VARIATION

LOCATION: CAMBRIDGE: EASTBOUND
MM 1.677

COLOR: BLACK BORDER AND SYMBOL WITH
YELLOW (RETROREFLECTIVE) BACKGROUND

MATERIAL: PER CHART ON VAOT STANDARD T-2

ARROW: SEE DETAIL ON THIS SHEET

NOT TO SCALE

PROJECT NAME: WINOOSKI-CAMBRIDGE
PROJECT NUMBER: STPG SIGN(55)

FILE NAME: z15+006+yp.dgn
PROJECT LEADER: M. FOISY
DESIGNED BY: G. BARRETT
TRAFFIC SIGN DETAILS SHEET 16

PLOT DATE: 6/14/2016
DRAWN BY: D. DRAPER
CHECKED BY: M. FOISY
SHEET 19 OF 192

