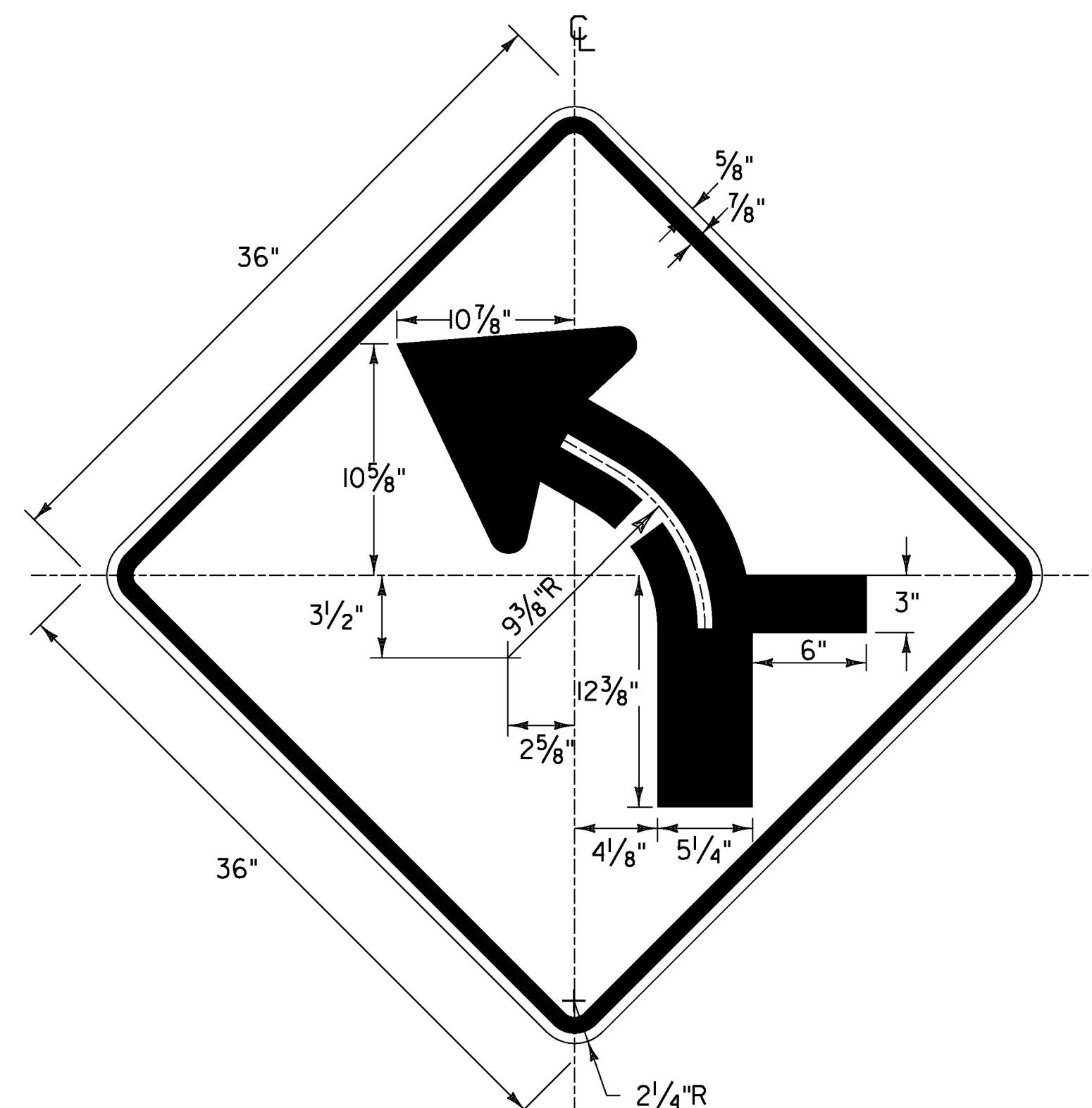


WI-3R VARIATION

LOCATION: JERICHO; WESTBOUND
MM 0.553

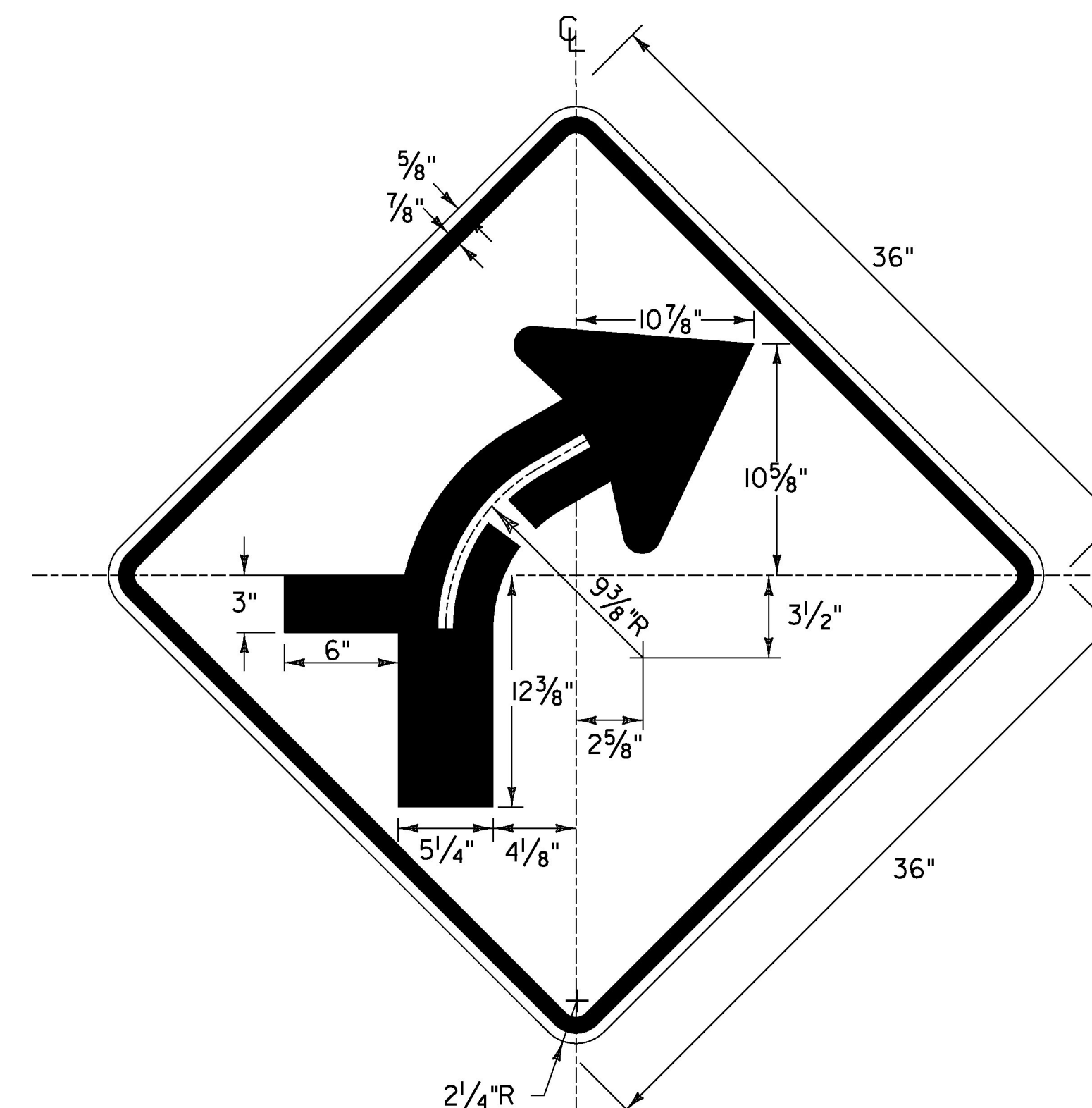
COLOR: BLACK BORDER AND SYMBOL WITH
YELLOW (RETROREFLECTIVE) BACKGROUND
MATERIAL: PER CHART ON VAOT STANDARD T-2
ARROW: SEE DETAIL ON SHEET I9



WI-IOL VARIATION

LOCATION: JERICHO; EASTBOUND
MM 2.608

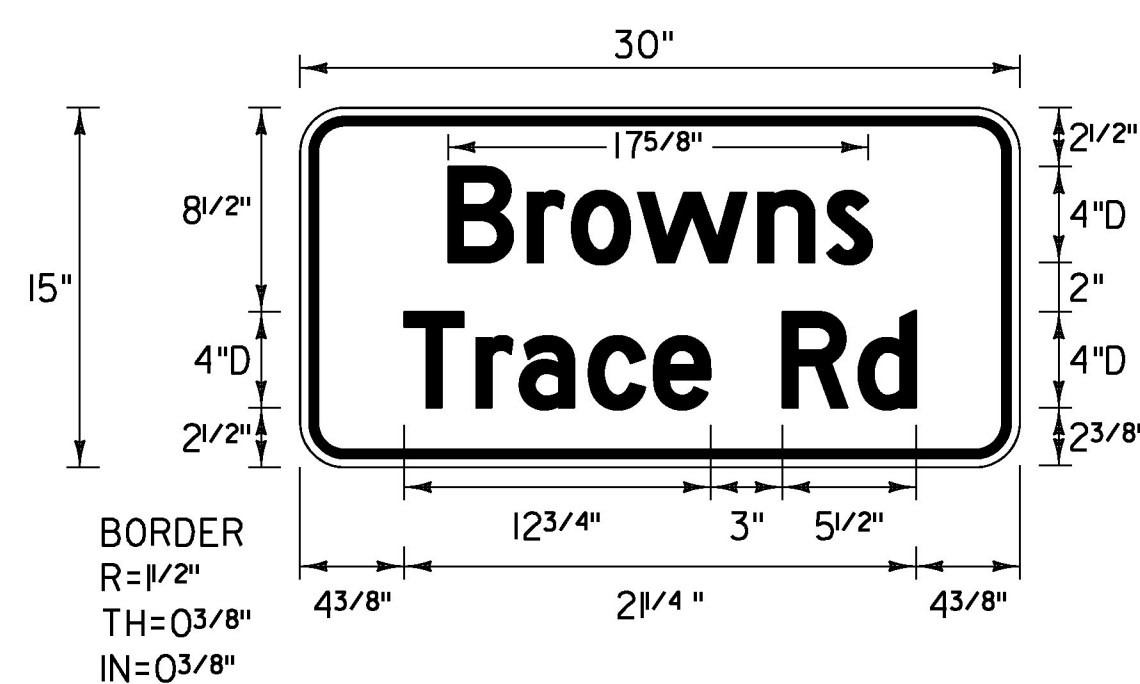
COLOR: BLACK BORDER AND SYMBOL WITH
YELLOW (RETROREFLECTIVE) BACKGROUND
MATERIAL: PER CHART ON VAOT STANDARD T-2
ARROW: SEE DETAIL ON SHEET I9



WI-IOR VARIATION

LOCATION: JERICHO; WESTBOUND
MM 3.293

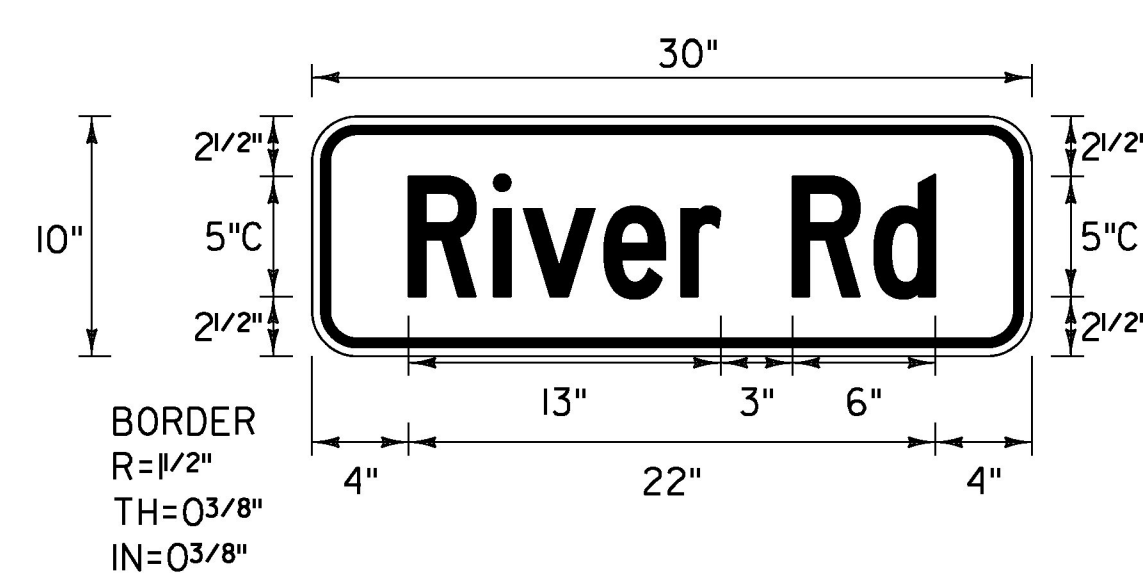
COLOR: BLACK BORDER AND SYMBOL WITH
YELLOW (RETROREFLECTIVE) BACKGROUND
MATERIAL: PER CHART ON VAOT STANDARD T-2
ARROW: SEE DETAIL ON SHEET I9



W16-8aP

LOCATION: JERICHO; EASTBOUND
MM 2.608
JERICHO; WESTBOUND
MM 2.803

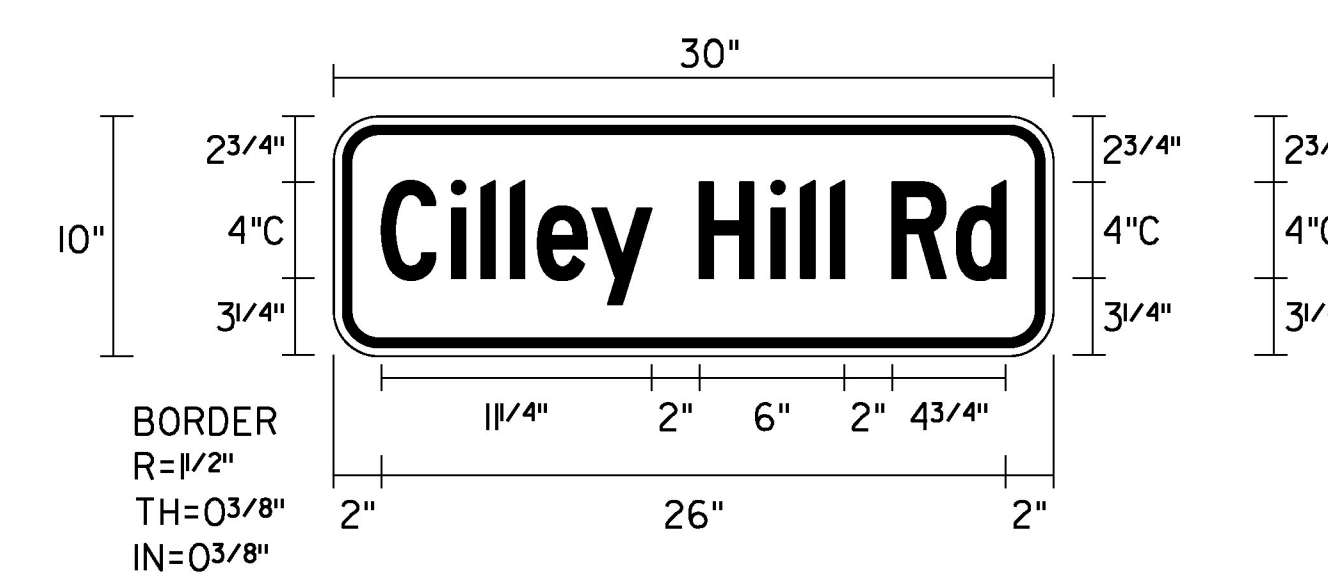
COLOR: BLACK BORDER AND TEXT WITH
YELLOW (RETROREFLECTIVE) BACKGROUND
MATERIAL: PER CHART ON VAOT STANDARD T-2



W16-8P

LOCATION: JERICHO; WESTBOUND
MM 3.293

COLOR: BLACK BORDER AND TEXT WITH
YELLOW (RETROREFLECTIVE) BACKGROUND
MATERIAL: PER CHART ON VAOT STANDARD T-2



W16-8P

LOCATION: UNDERHILL; EASTBOUND
MM 1.245

COLOR: BLACK BORDER AND TEXT WITH
YELLOW (RETROREFLECTIVE) BACKGROUND
MATERIAL: PER CHART ON VAOT STANDARD T-2

NOT TO SCALE

PROJECT NAME: WINOOSKI-CAMBRIDGE
PROJECT NUMBER: STPG SIGN(55)

FILE NAME: z15+006+yp.dgn
PROJECT LEADER: M. FOISY
DESIGNED BY: G. BARRETT
TRAFFIC SIGN DETAILS SHEET 15

PLOT DATE: 6/14/2016
DRAWN BY: D. DRAPER
CHECKED BY: M. FOISY
SHEET 18 OF 192

