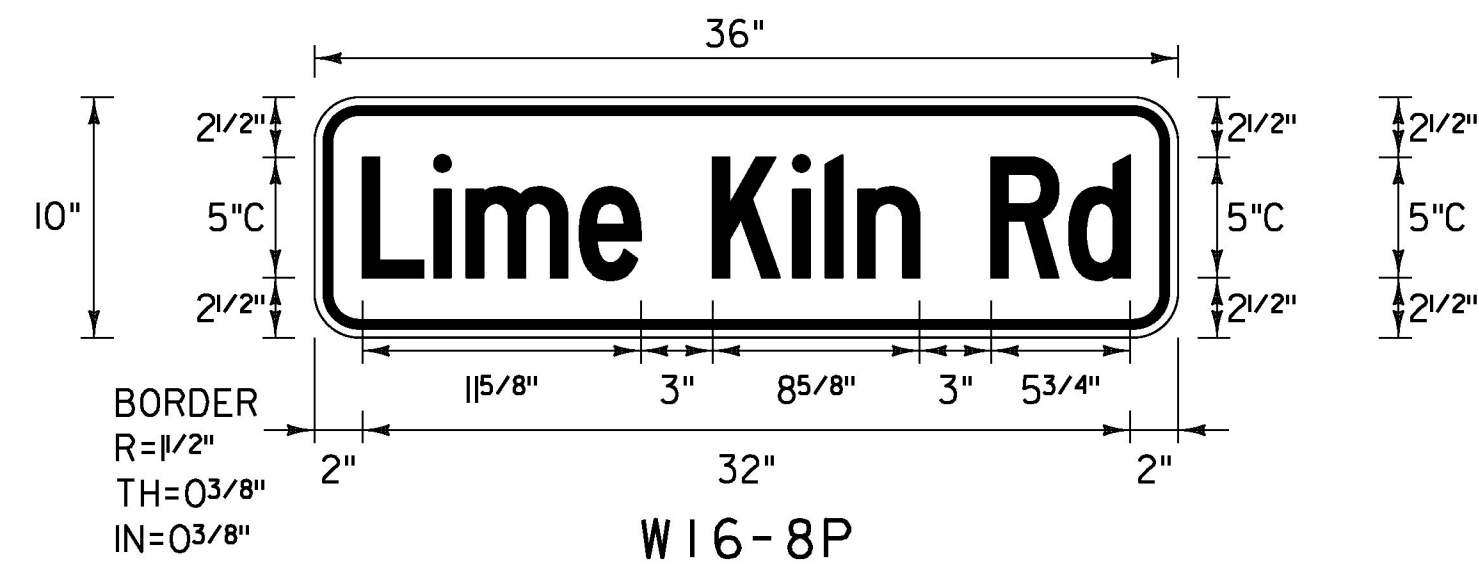


W16-8aP

LOCATION: WINOOSKI; WESTBOUND
MM 0.420

COLOR: BLACK BORDER AND TEXT WITH
YELLOW (RETROREFLECTIVE) BACKGROUND

MATERIAL: PER CHART ON VAOT STANDARD T-2



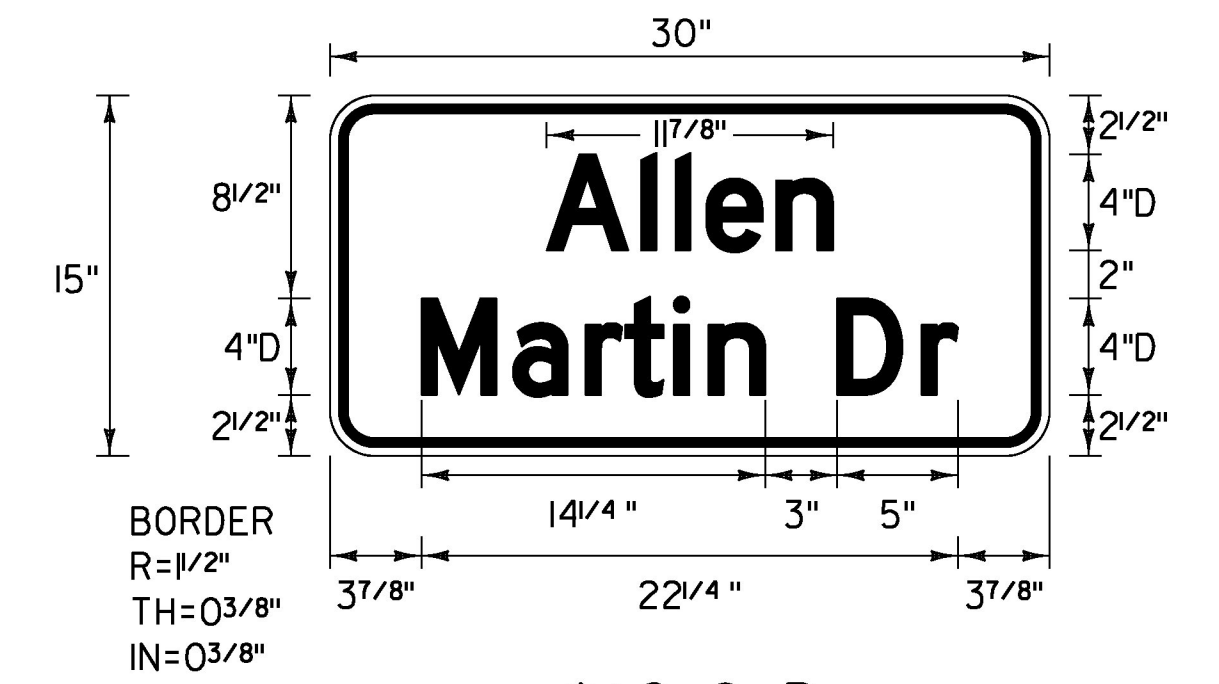
W16-8P

LOCATION: COLCHESTER; EASTBOUND
MM 0.248

COLCHESTER; WESTBOUND
MM 0.508

COLOR: BLACK BORDER AND TEXT WITH
YELLOW (RETROREFLECTIVE) BACKGROUND

MATERIAL: PER CHART ON VAOT STANDARD T-2



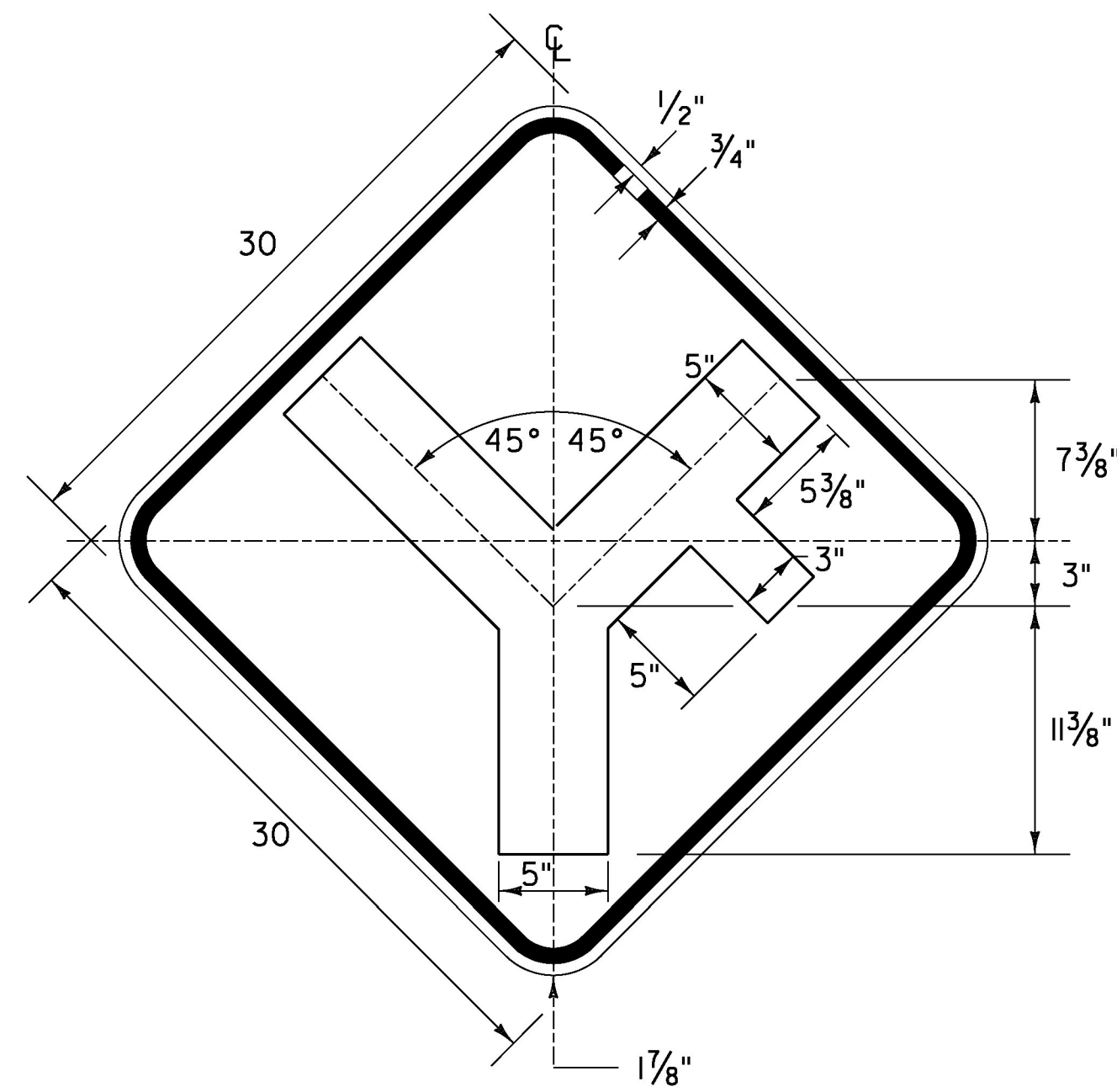
W16-8aP

LOCATION: ESSEX; EASTBOUND
MM 6.432

ESSEX; WESTBOUND
MM 6.637

COLOR: BLACK BORDER AND TEXT WITH
YELLOW (RETROREFLECTIVE) BACKGROUND

MATERIAL: PER CHART ON VAOT STANDARD T-2

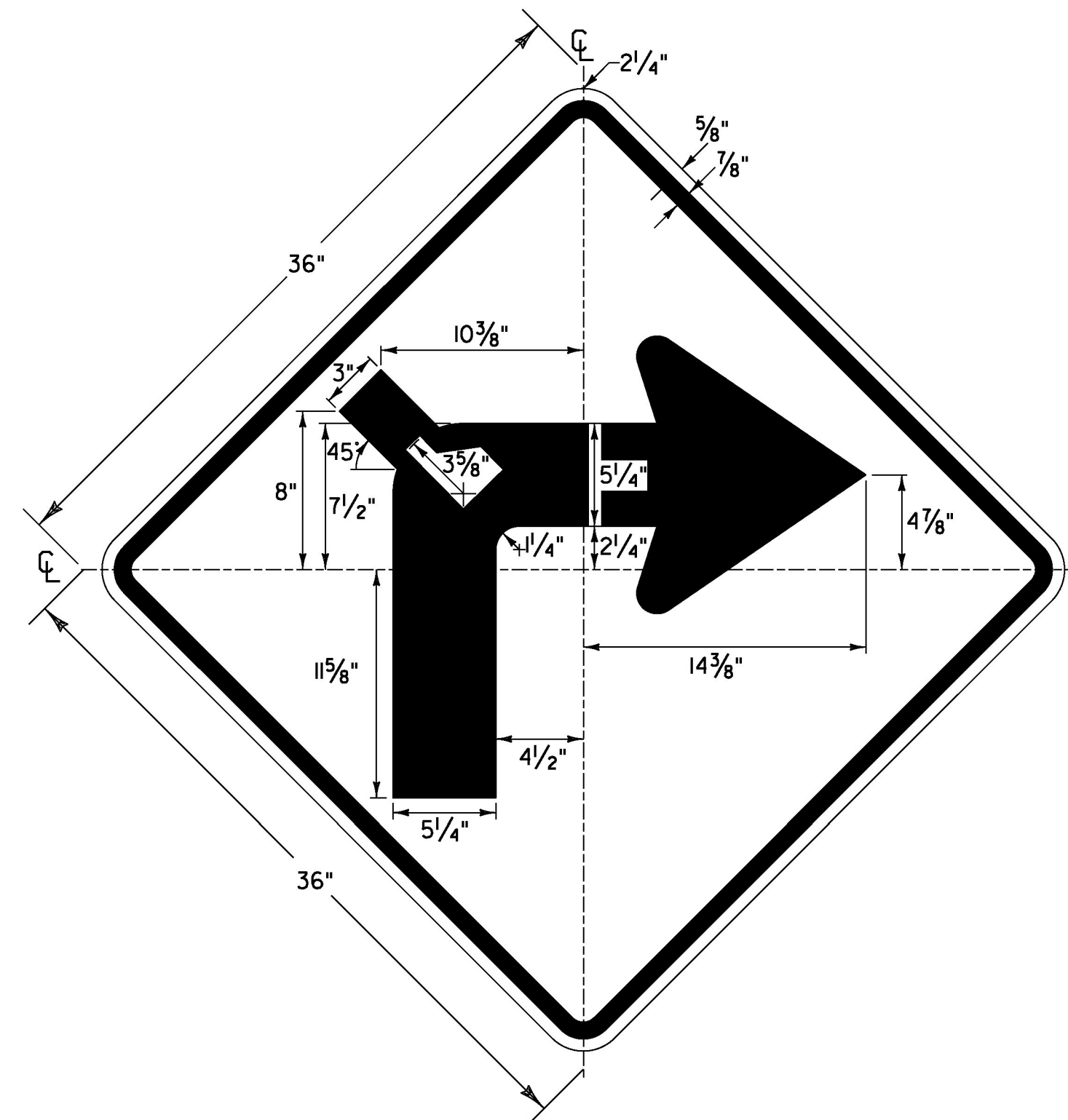


W2-5 VARIATION

LOCATION: WINOOSKI; WESTBOUND
MM 0.420

COLOR: BLACK BORDER AND SYMBOL WITH
YELLOW (RETROREFLECTIVE) BACKGROUND

MATERIAL: PER CHART ON VAOT STANDARD T-2



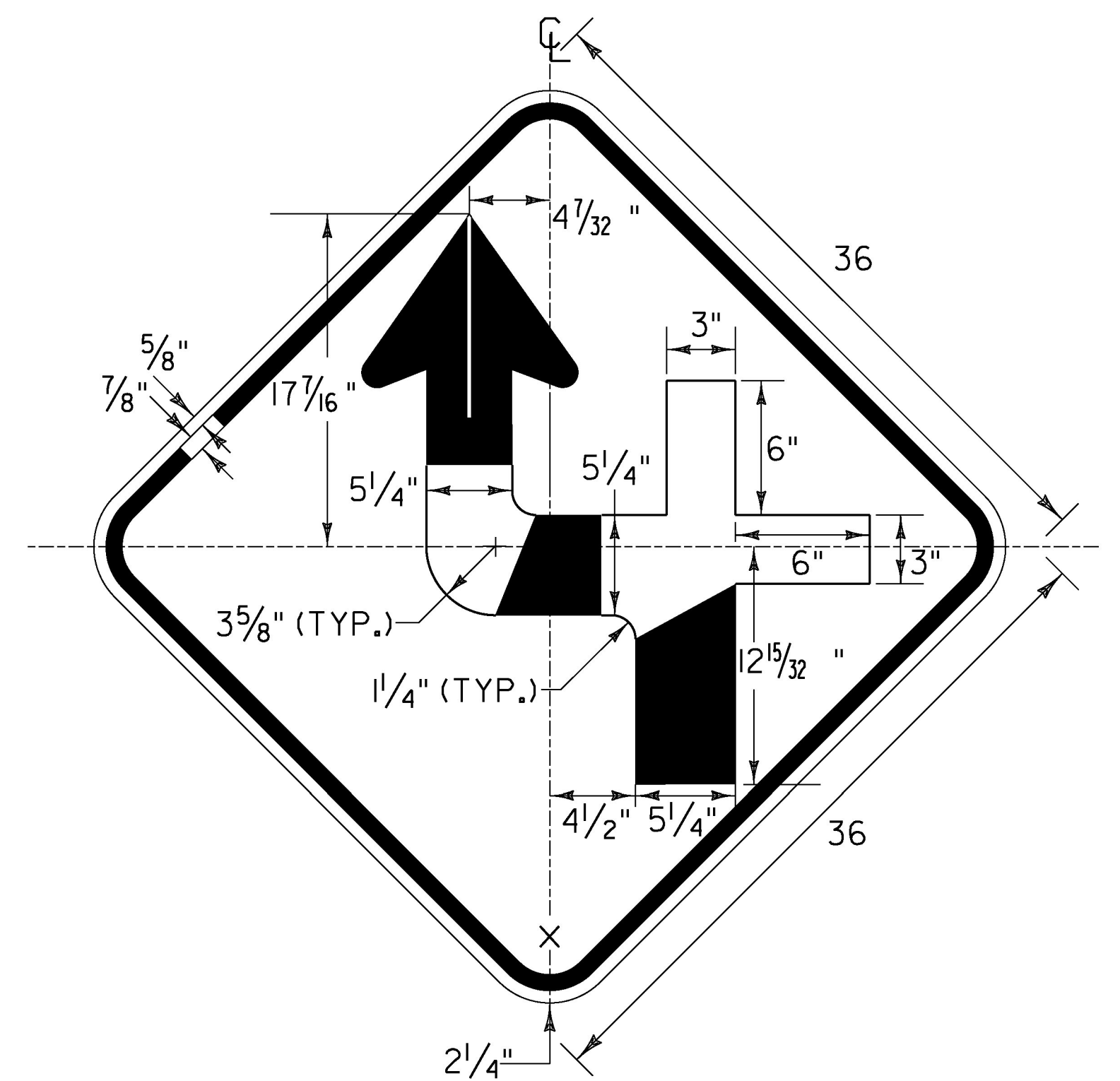
W1-1R VARIATION

LOCATION: ESSEX; EASTBOUND
MM 5.247

COLOR: BLACK BORDER AND SYMBOL WITH
YELLOW (RETROREFLECTIVE) BACKGROUND

MATERIAL: PER CHART ON VAOT STANDARD T-2

ARROW: SEE DETAIL ON SHEET 19



W1-3L VARIATION

LOCATION: JERICHO; EASTBOUND
MM 0.393

COLOR: BLACK BORDER AND SYMBOL WITH
YELLOW (RETROREFLECTIVE) BACKGROUND

MATERIAL: PER CHART ON VAOT STANDARD T-2

ARROW: SEE DETAIL ON SHEET 19

NOT TO SCALE

PROJECT NAME: WINOOSKI-CAMBRIDGE
PROJECT NUMBER: STPG SIGN(55)

FILE NAME: z15+006+yp.dgn
PROJECT LEADER: M. FOISY
DESIGNED BY: G. BARRETT
TRAFFIC SIGN DETAILS SHEET 14

PLOT DATE: 6/14/2016
DRAWN BY: D. DRAPER
CHECKED BY: M. FOISY
SHEET 17 OF 192

