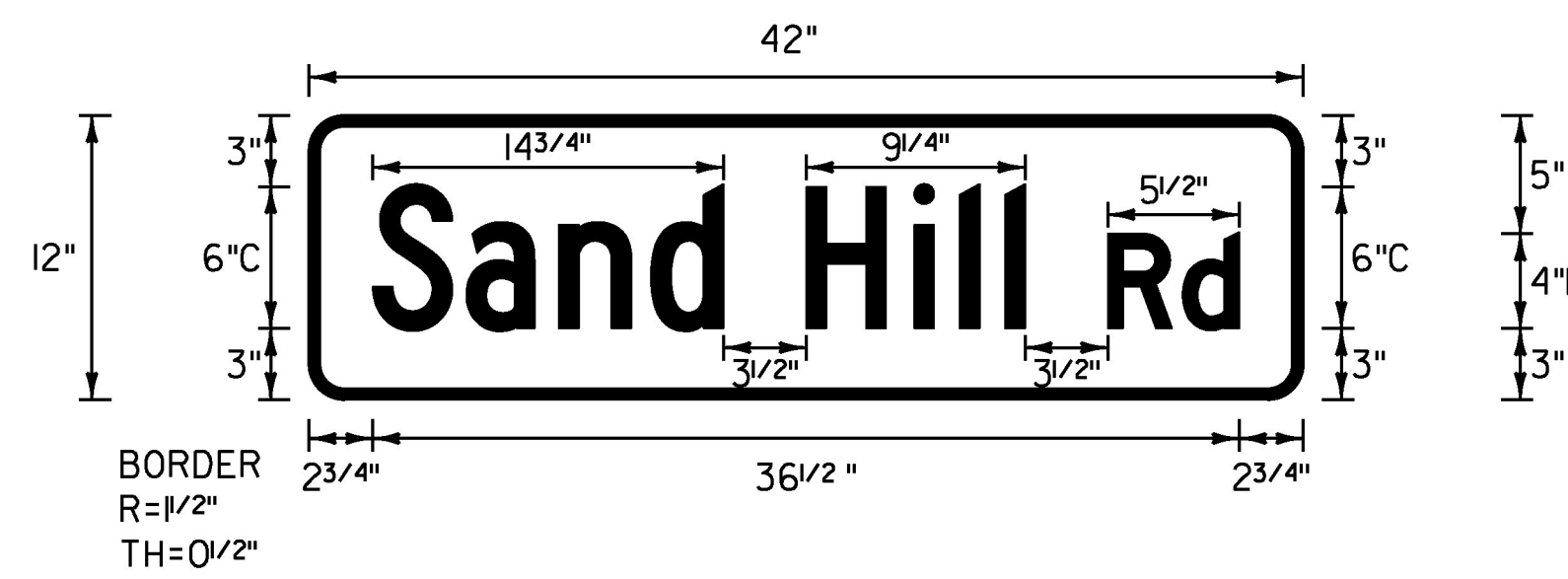


BORDER
R=1/2"
TH=0/2"

LOCATION: ESSEX; EASTBOUND
MM 4.837

COLOR: WHITE BORDER AND TEXT (RETROREFLECTIVE)
GREEN BACKGROUND (RETROREFLECTIVE)

MATERIAL: 0.125" FLAT SHEET ALUMINUM

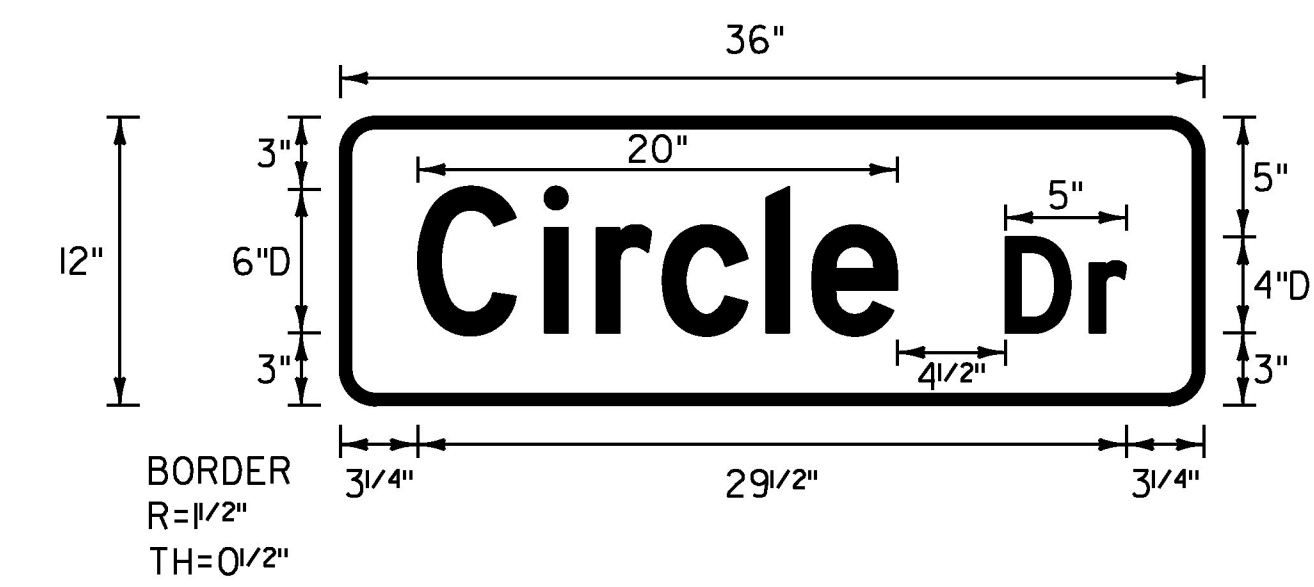


BORDER
R=1/2"
TH=0/2"

LOCATION: ESSEX; EASTBOUND
MM 5.617

COLOR: WHITE BORDER AND TEXT (RETROREFLECTIVE)
GREEN BACKGROUND (RETROREFLECTIVE)

MATERIAL: 0.125" FLAT SHEET ALUMINUM

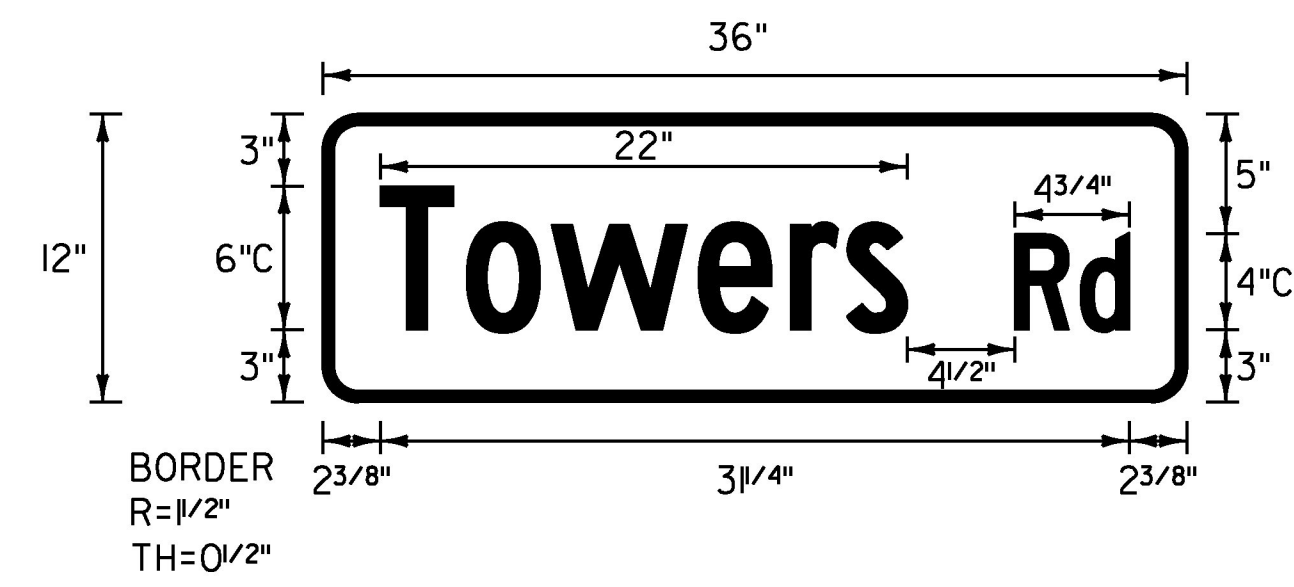


BORDER
R=1/2"
TH=0/2"

LOCATION: ESSEX; EASTBOUND
MM 6.420

COLOR: WHITE BORDER AND TEXT (RETROREFLECTIVE)
GREEN BACKGROUND (RETROREFLECTIVE)

MATERIAL: 0.125" FLAT SHEET ALUMINUM

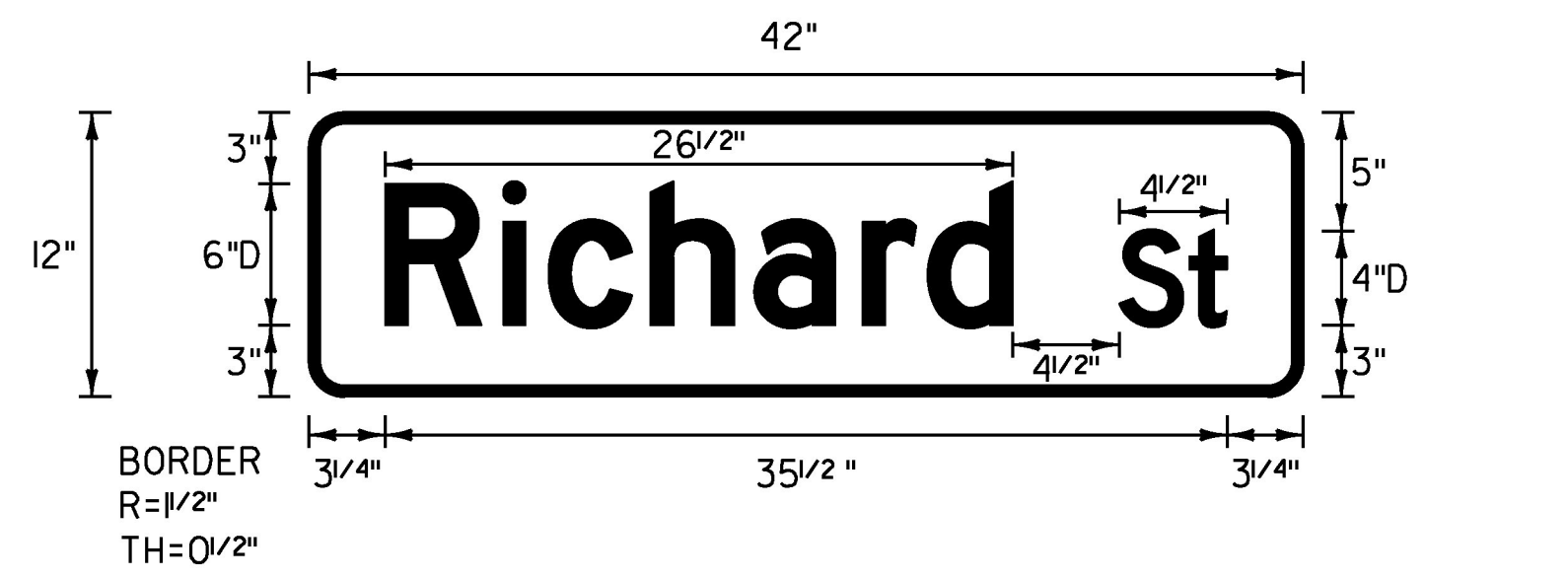


BORDER
R=1/2"
TH=0/2"

LOCATION: ESSEX; WESTBOUND
MM 5.342

COLOR: WHITE BORDER AND TEXT (RETROREFLECTIVE)
GREEN BACKGROUND (RETROREFLECTIVE)

MATERIAL: 0.125" FLAT SHEET ALUMINUM

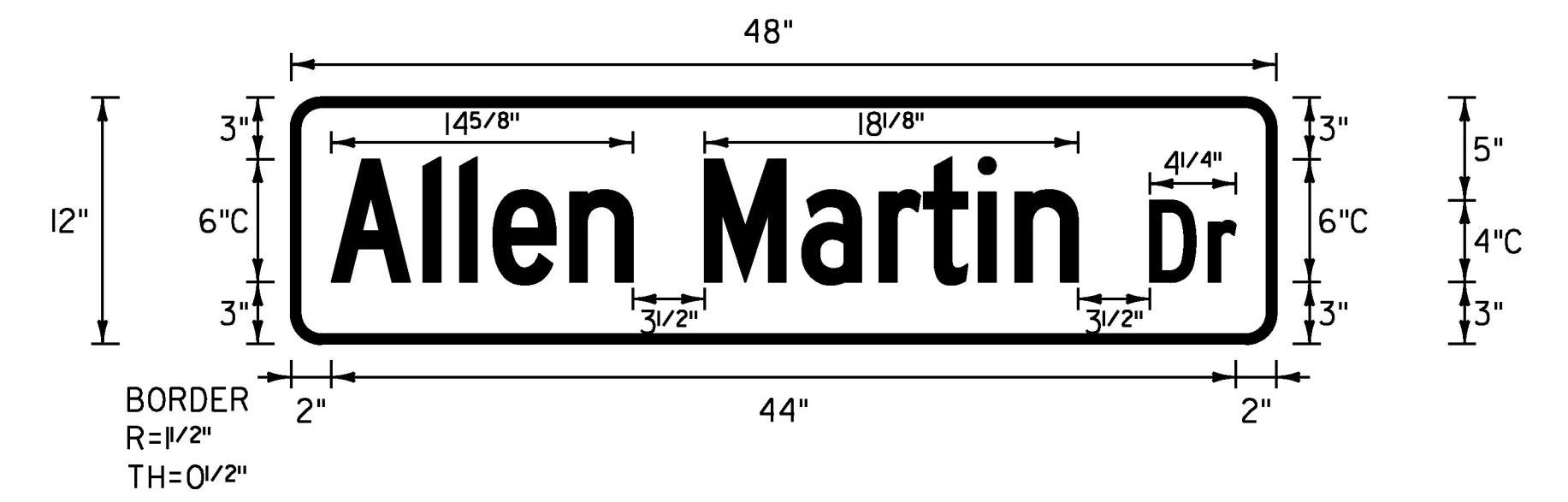


BORDER
R=1/2"
TH=0/2"

LOCATION: ESSEX; WESTBOUND
MM 5.882

COLOR: WHITE BORDER AND TEXT (RETROREFLECTIVE)
GREEN BACKGROUND (RETROREFLECTIVE)

MATERIAL: 0.125" FLAT SHEET ALUMINUM

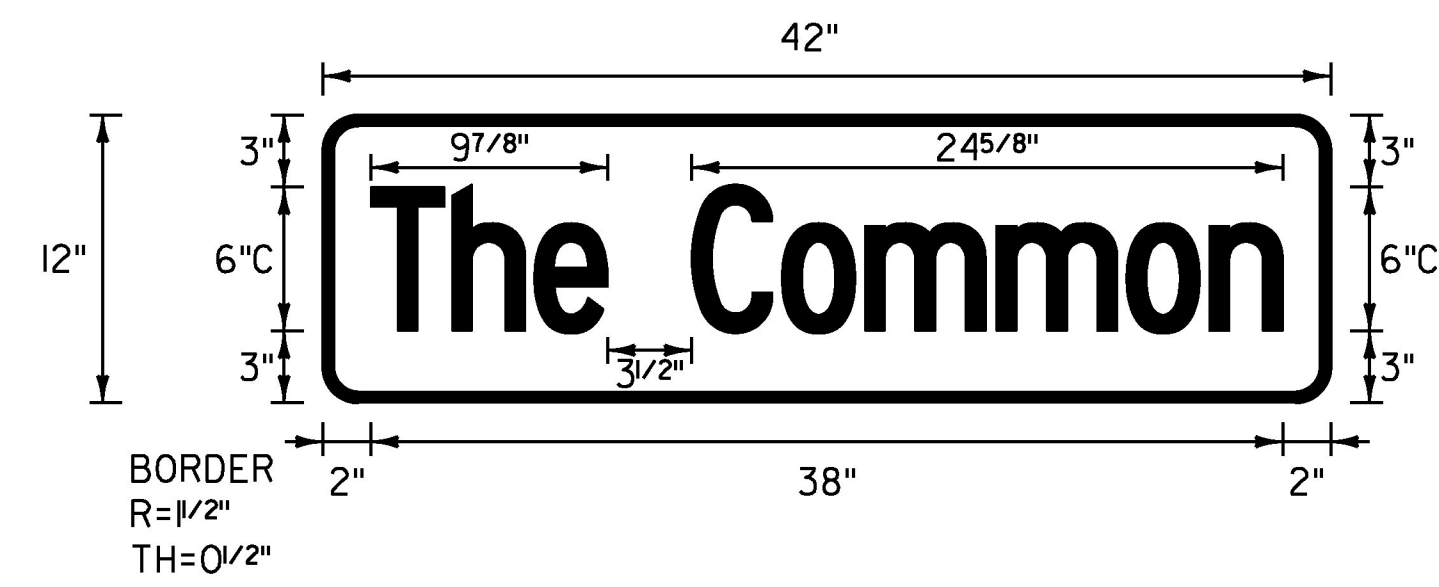


BORDER
R=1/2"
TH=0/2"

LOCATION: ESSEX; EASTBOUND
MM 6.530

COLOR: WHITE BORDER AND TEXT (RETROREFLECTIVE)
GREEN BACKGROUND (RETROREFLECTIVE)

MATERIAL: 0.125" FLAT SHEET ALUMINUM

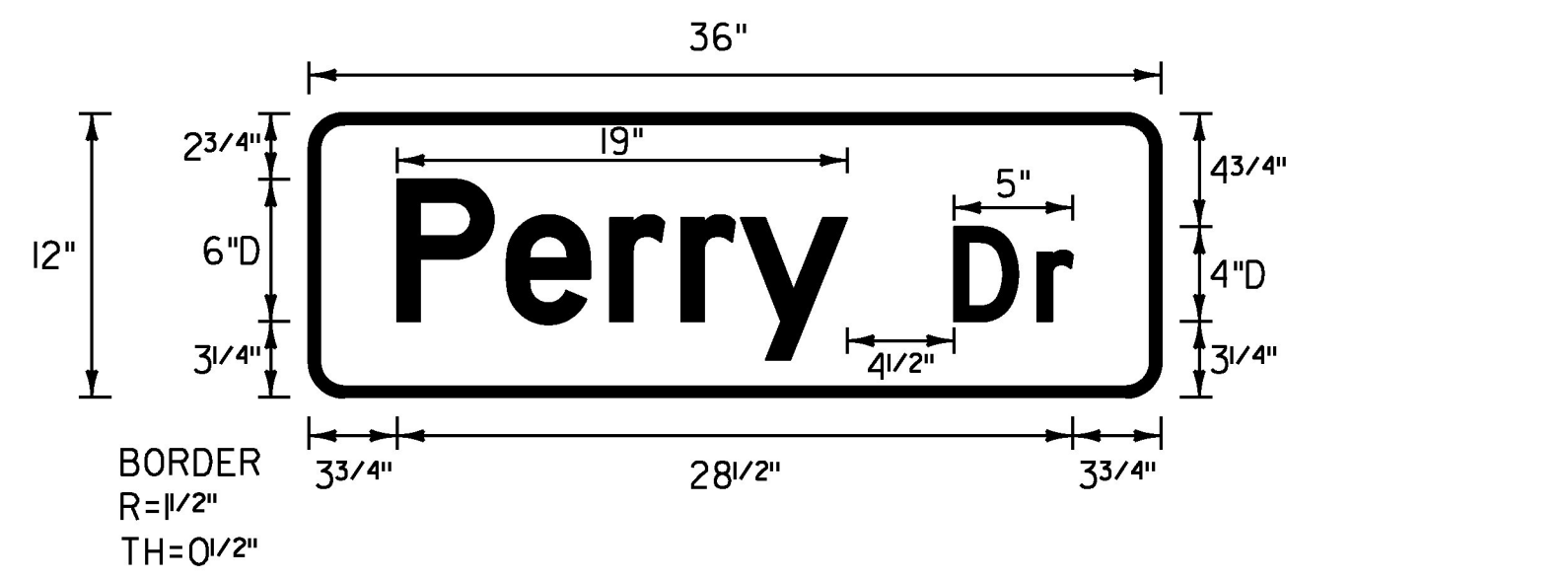


BORDER
R=1/2"
TH=0/2"

LOCATION: ESSEX; EASTBOUND
MM 5.362
MM 5.412

COLOR: WHITE BORDER AND TEXT (RETROREFLECTIVE)
GREEN BACKGROUND (RETROREFLECTIVE)

MATERIAL: 0.125" FLAT SHEET ALUMINUM

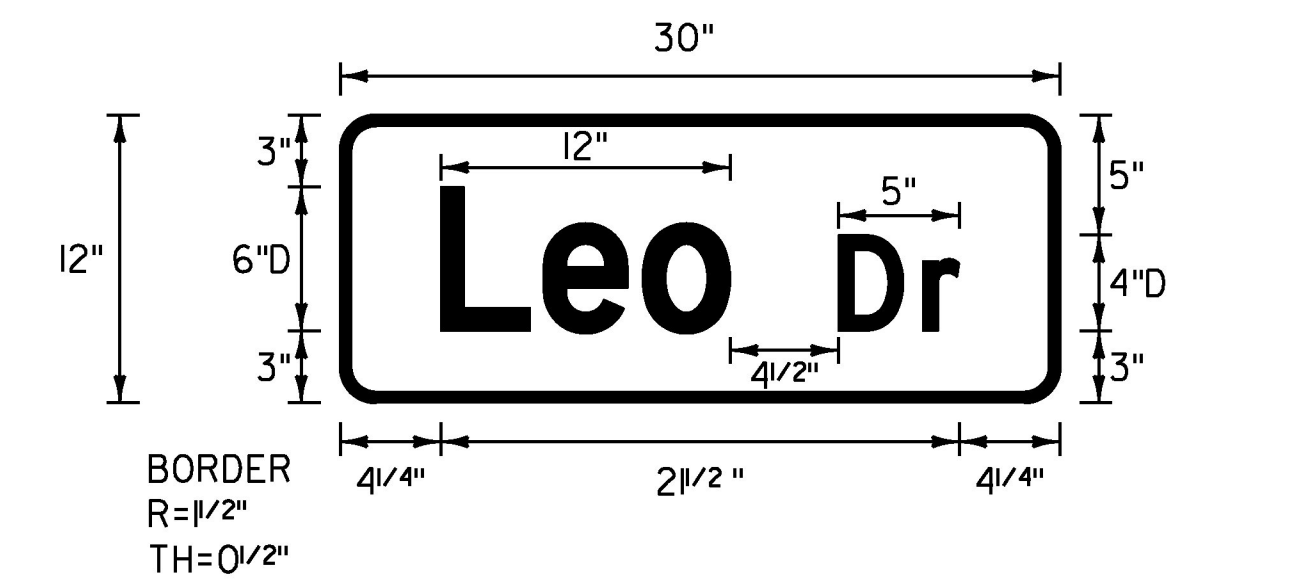


BORDER
R=1/2"
TH=0/2"

LOCATION: ESSEX; EASTBOUND
MM 5.952

COLOR: WHITE BORDER AND TEXT (RETROREFLECTIVE)
GREEN BACKGROUND (RETROREFLECTIVE)

MATERIAL: 0.125" FLAT SHEET ALUMINUM

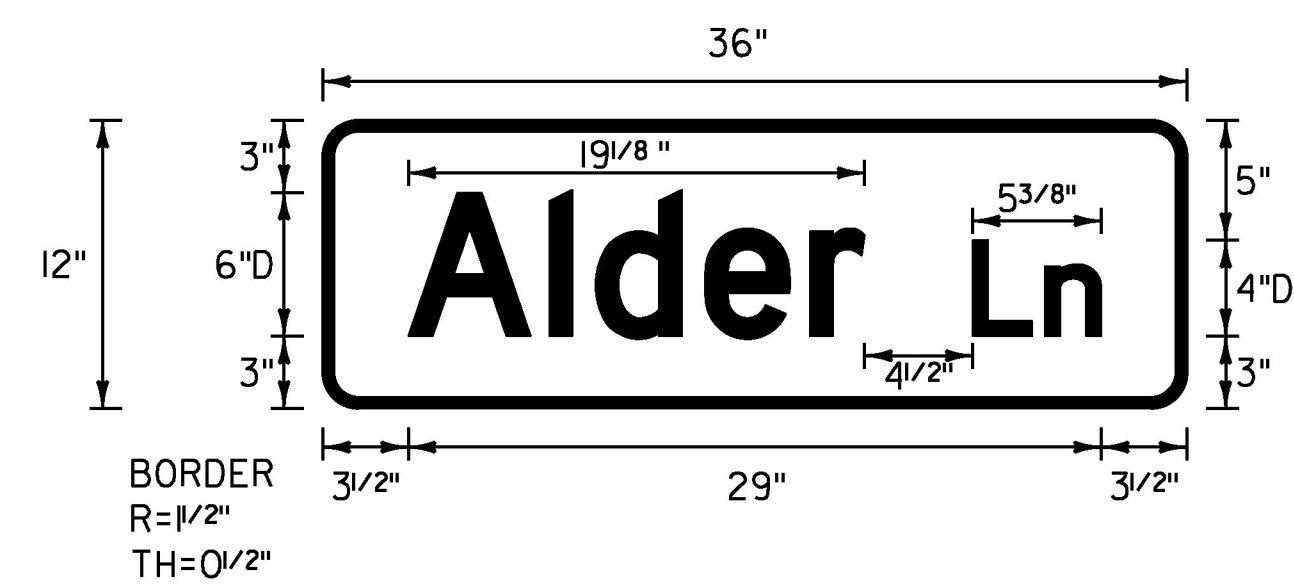


BORDER
R=1/2"
TH=0/2"

LOCATION: ESSEX; EASTBOUND
MM 6.930

COLOR: WHITE BORDER AND TEXT (RETROREFLECTIVE)
GREEN BACKGROUND (RETROREFLECTIVE)

MATERIAL: 0.125" FLAT SHEET ALUMINUM

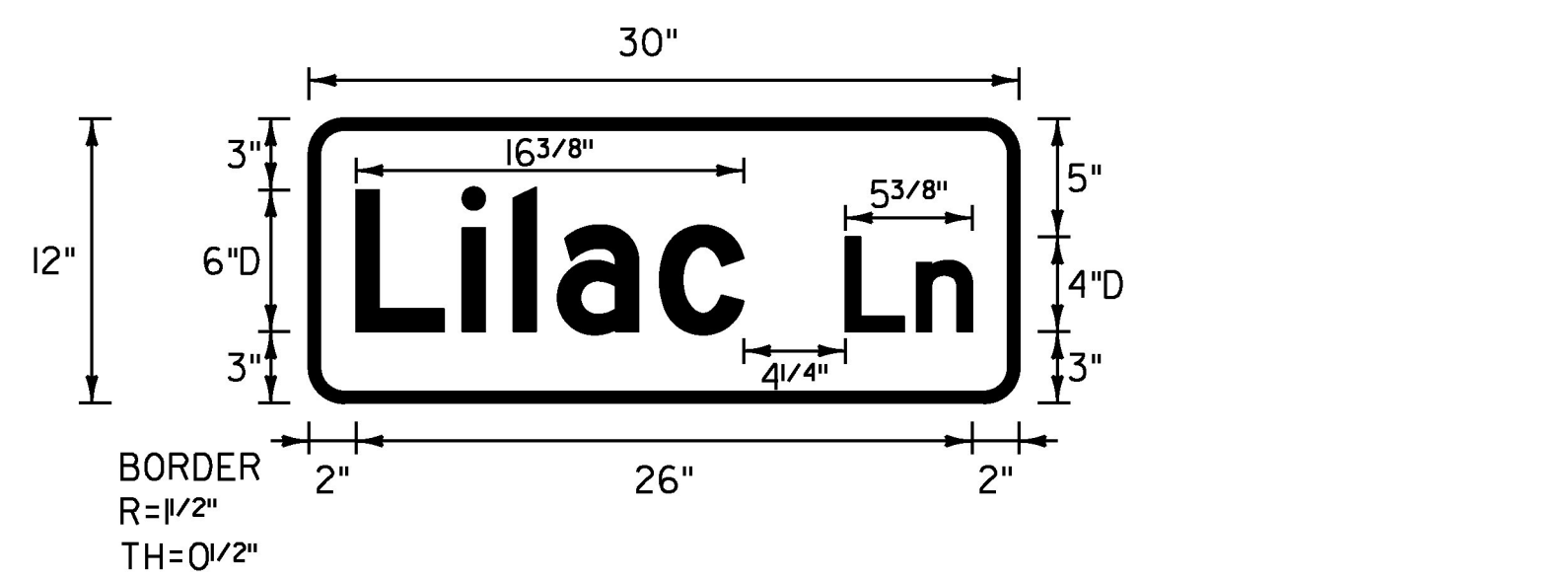


BORDER
R=1/2"
TH=0/2"

LOCATION: ESSEX; WESTBOUND
MM 5.522

COLOR: WHITE BORDER AND TEXT (RETROREFLECTIVE)
GREEN BACKGROUND (RETROREFLECTIVE)

MATERIAL: 0.125" FLAT SHEET ALUMINUM



BORDER
R=1/2"
TH=0/2"

LOCATION: ESSEX; WESTBOUND
MM 6.057

COLOR: WHITE BORDER AND TEXT (RETROREFLECTIVE)
GREEN BACKGROUND (RETROREFLECTIVE)

MATERIAL: 0.125" FLAT SHEET ALUMINUM

NOT TO SCALE

PROJECT NAME: WINOOSKI-CAMBRIDGE
PROJECT NUMBER: STPG SIGN(55)

FILE NAME: z15+006+yp.dgn
PROJECT LEADER: M. FOISY
DESIGNED BY: G. BARRETT
TRAFFIC SIGN DETAILS SHEET 6

PLOT DATE: 6/14/2016
DRAWN BY: D. DRAPER
CHECKED BY: M. FOISY
SHEET 9 OF 192

