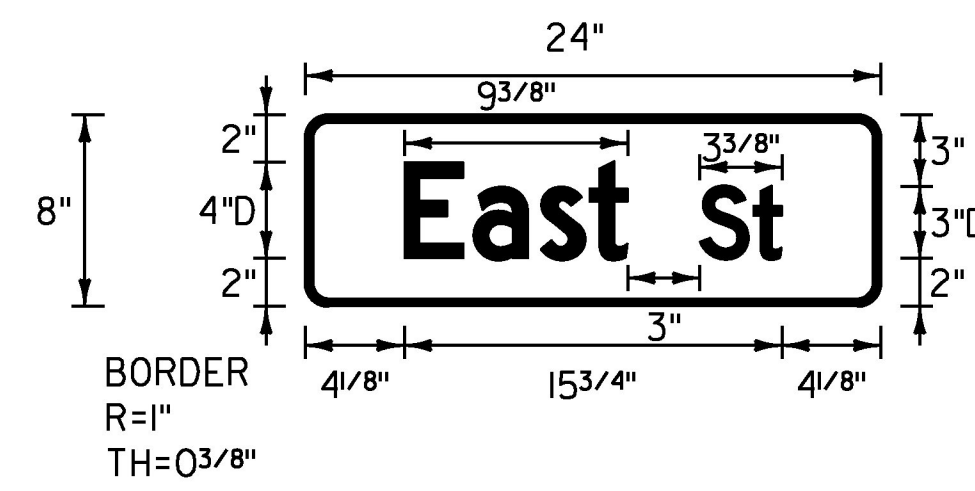
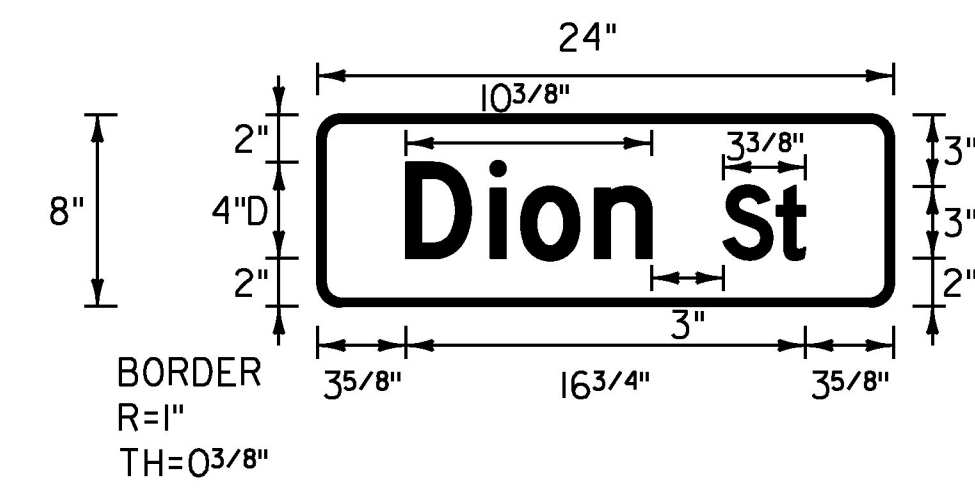


LOCATION: WINOOSKI; EASTBOUND  
 MM 0.079  
 MM 0.185  
 MM 0.724  
 WINOOSKI; WESTBOUND  
 MM 0.749  
 MM 0.565  
 MM 0.440  
 MM 0.365  
 MM 0.193  
 MM 0.090  
 MM 0.017

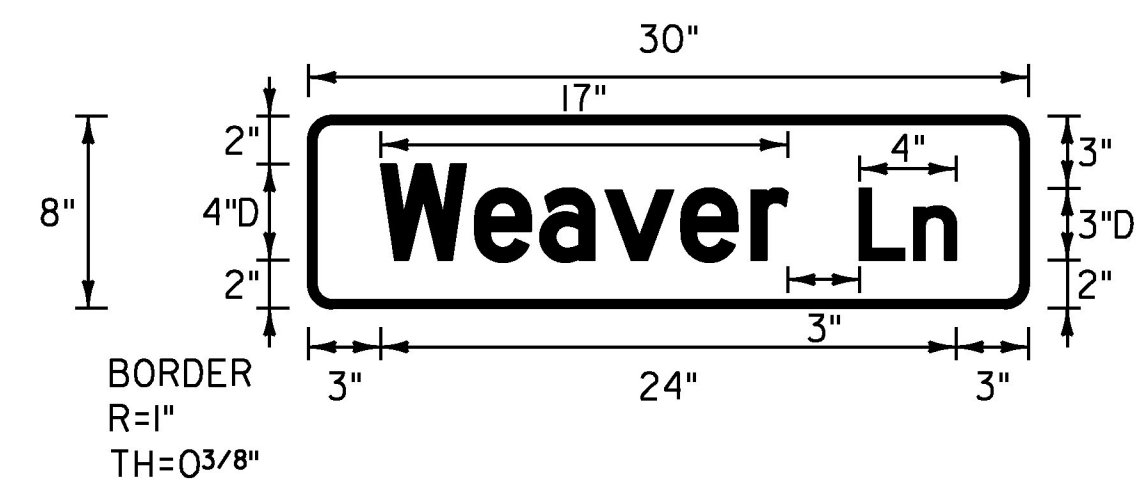
COLOR: WHITE BORDER AND TEXT (RETROREFLECTIVE)  
 GREEN BACKGROUND (RETROREFLECTIVE)  
 MATERIAL: 0.125" FLAT SHEET ALUMINUM



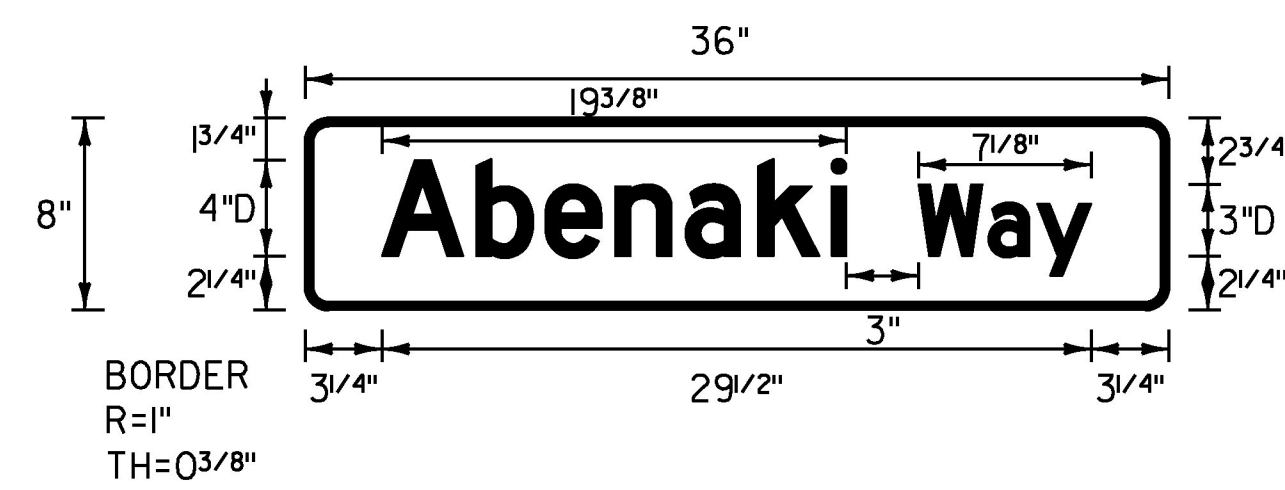
LOCATION: WINOOSKI; WESTBOUND  
 MM 0.193  
 COLOR: WHITE BORDER AND TEXT (RETROREFLECTIVE)  
 GREEN BACKGROUND (RETROREFLECTIVE)  
 MATERIAL: 0.125" FLAT SHEET ALUMINUM



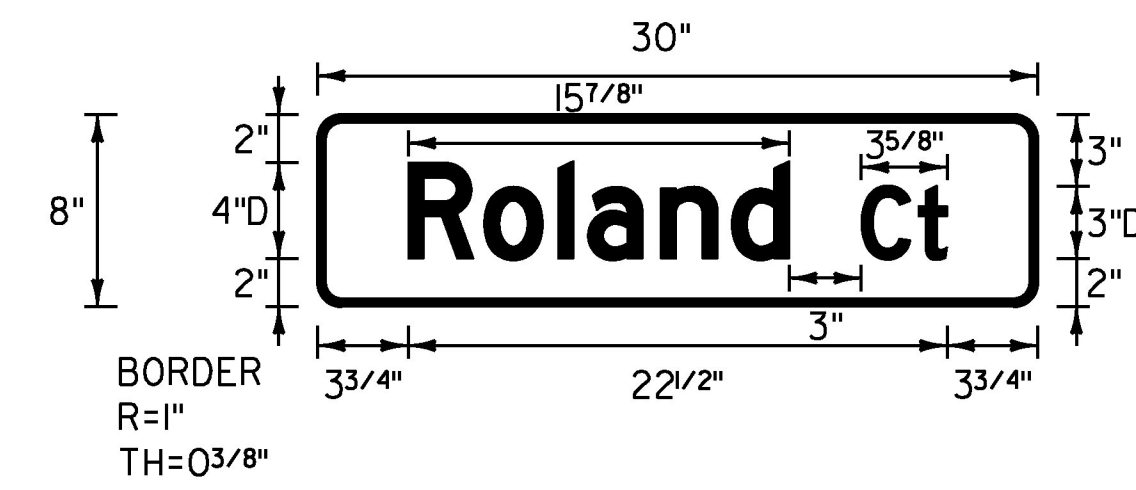
LOCATION: WINOOSKI; WESTBOUND  
 MM 0.565  
 COLOR: WHITE BORDER AND TEXT (RETROREFLECTIVE)  
 GREEN BACKGROUND (RETROREFLECTIVE)  
 MATERIAL: 0.125" FLAT SHEET ALUMINUM



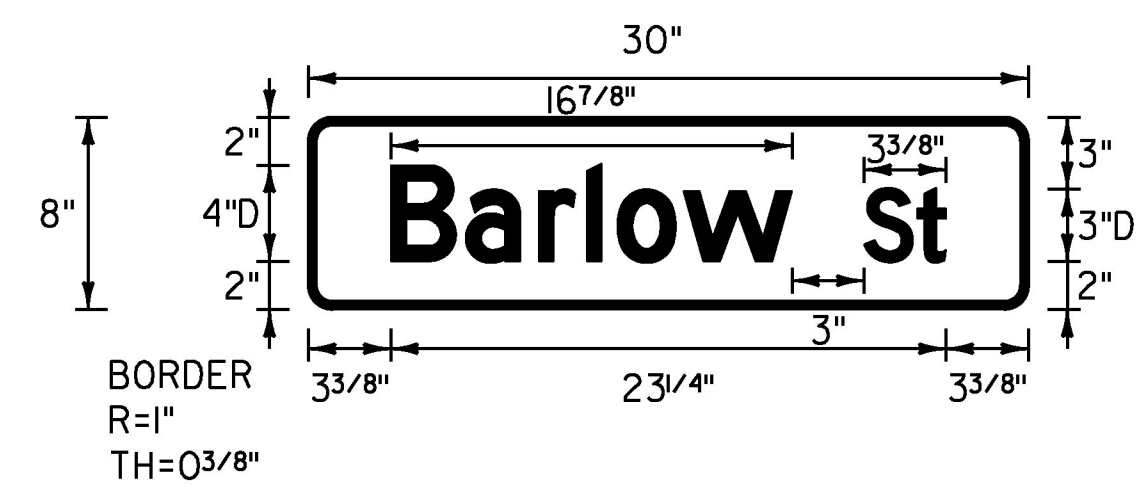
LOCATION: WINOOSKI; WESTBOUND  
 MM 0.017  
 COLOR: WHITE BORDER AND TEXT (RETROREFLECTIVE)  
 GREEN BACKGROUND (RETROREFLECTIVE)  
 MATERIAL: 0.125" FLAT SHEET ALUMINUM



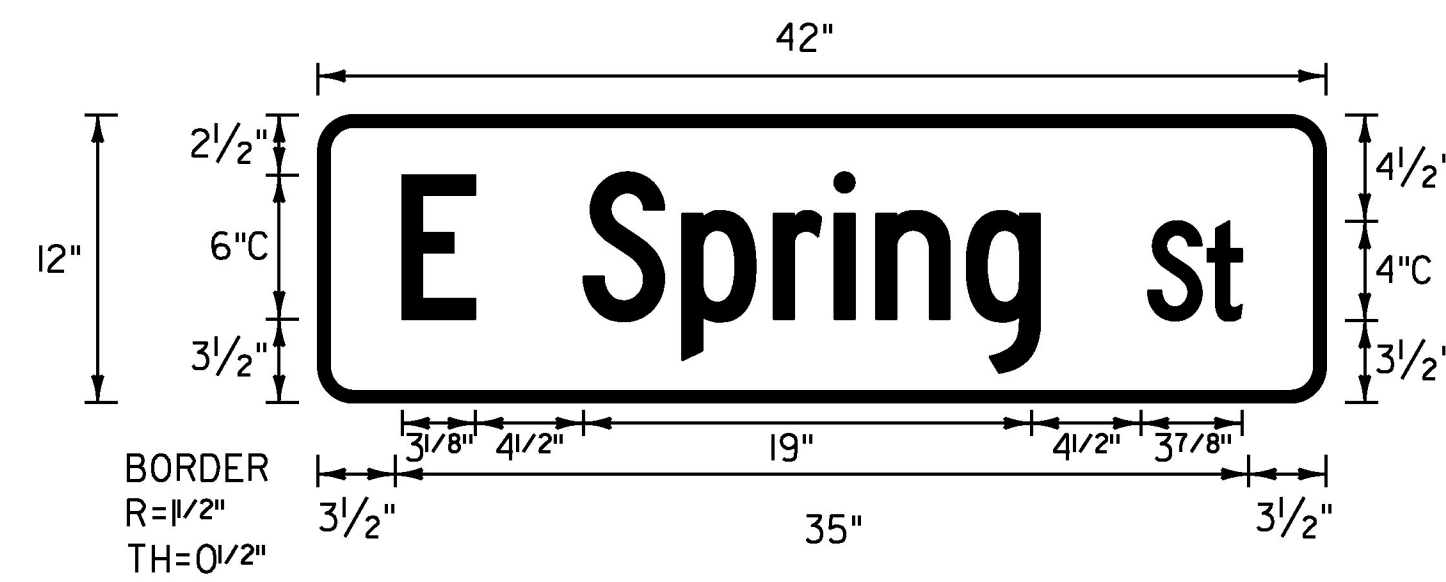
LOCATION: WINOOSKI; EASTBOUND  
 MM 0.185  
 COLOR: WHITE BORDER AND TEXT (RETROREFLECTIVE)  
 GREEN BACKGROUND (RETROREFLECTIVE)  
 MATERIAL: 0.125" FLAT SHEET ALUMINUM



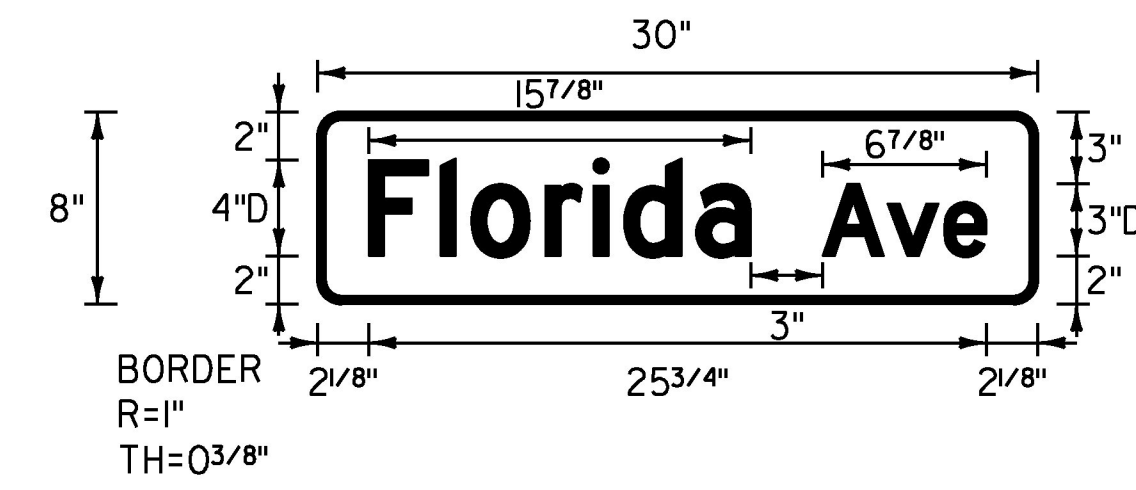
LOCATION: WINOOSKI; EASTBOUND  
 MM 0.724  
 COLOR: WHITE BORDER AND TEXT (RETROREFLECTIVE)  
 GREEN BACKGROUND (RETROREFLECTIVE)  
 MATERIAL: 0.125" FLAT SHEET ALUMINUM



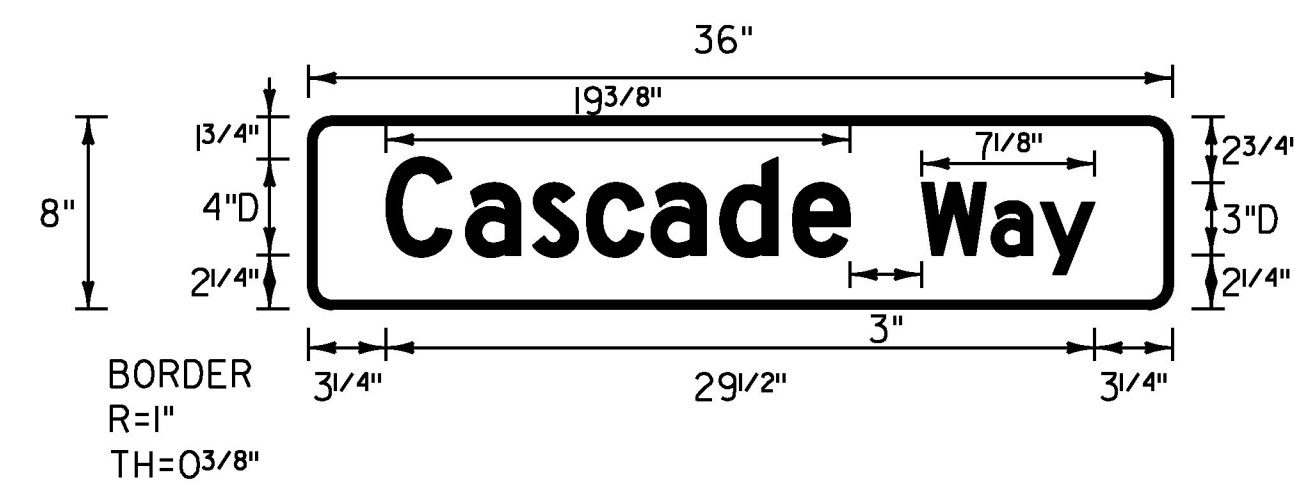
LOCATION: WINOOSKI; WESTBOUND  
 MM 0.090  
 COLOR: WHITE BORDER AND TEXT (RETROREFLECTIVE)  
 GREEN BACKGROUND (RETROREFLECTIVE)  
 MATERIAL: 0.125" FLAT SHEET ALUMINUM



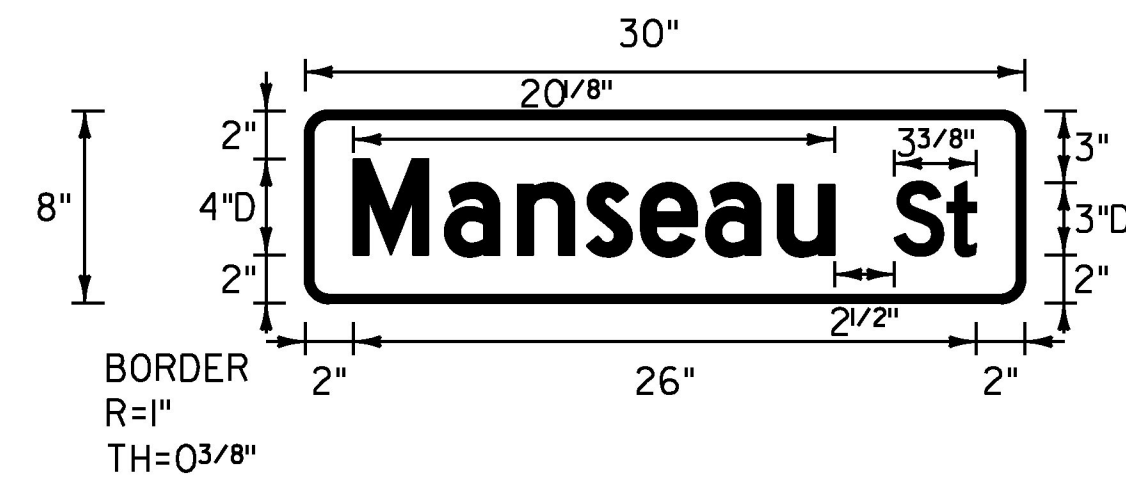
LOCATION: WINOOSKI; WESTBOUND  
 MM 0.365  
 COLOR: WHITE BORDER AND TEXT (RETROREFLECTIVE)  
 GREEN BACKGROUND (RETROREFLECTIVE)  
 MATERIAL: 0.125" FLAT SHEET ALUMINUM



LOCATION: WINOOSKI; WESTBOUND  
 MM 0.749  
 COLOR: WHITE BORDER AND TEXT (RETROREFLECTIVE)  
 GREEN BACKGROUND (RETROREFLECTIVE)  
 MATERIAL: 0.125" FLAT SHEET ALUMINUM



LOCATION: WINOOSKI; EASTBOUND  
 MM 0.079  
 COLOR: WHITE BORDER AND TEXT (RETROREFLECTIVE)  
 GREEN BACKGROUND (RETROREFLECTIVE)  
 MATERIAL: 0.125" FLAT SHEET ALUMINUM



LOCATION: WINOOSKI; WESTBOUND  
 MM 0.440  
 COLOR: WHITE BORDER AND TEXT (RETROREFLECTIVE)  
 GREEN BACKGROUND (RETROREFLECTIVE)  
 MATERIAL: 0.125" FLAT SHEET ALUMINUM

NOT TO SCALE

PROJECT NAME: WINOOSKI-CAMBRIDGE  
 PROJECT NUMBER: STPG SIGN(55)

FILE NAME: z15+006+yp.dgn  
 PROJECT LEADER: M. FOISY  
 DESIGNED BY: G. BARRETT  
 TRAFFIC SIGN DETAILS SHEET 4

PLOT DATE: 6/14/2016  
 DRAWN BY: D. DRAPER  
 CHECKED BY: M. FOISY  
 SHEET 7 OF 192

