

**SHOP DRAWING REVIEW**

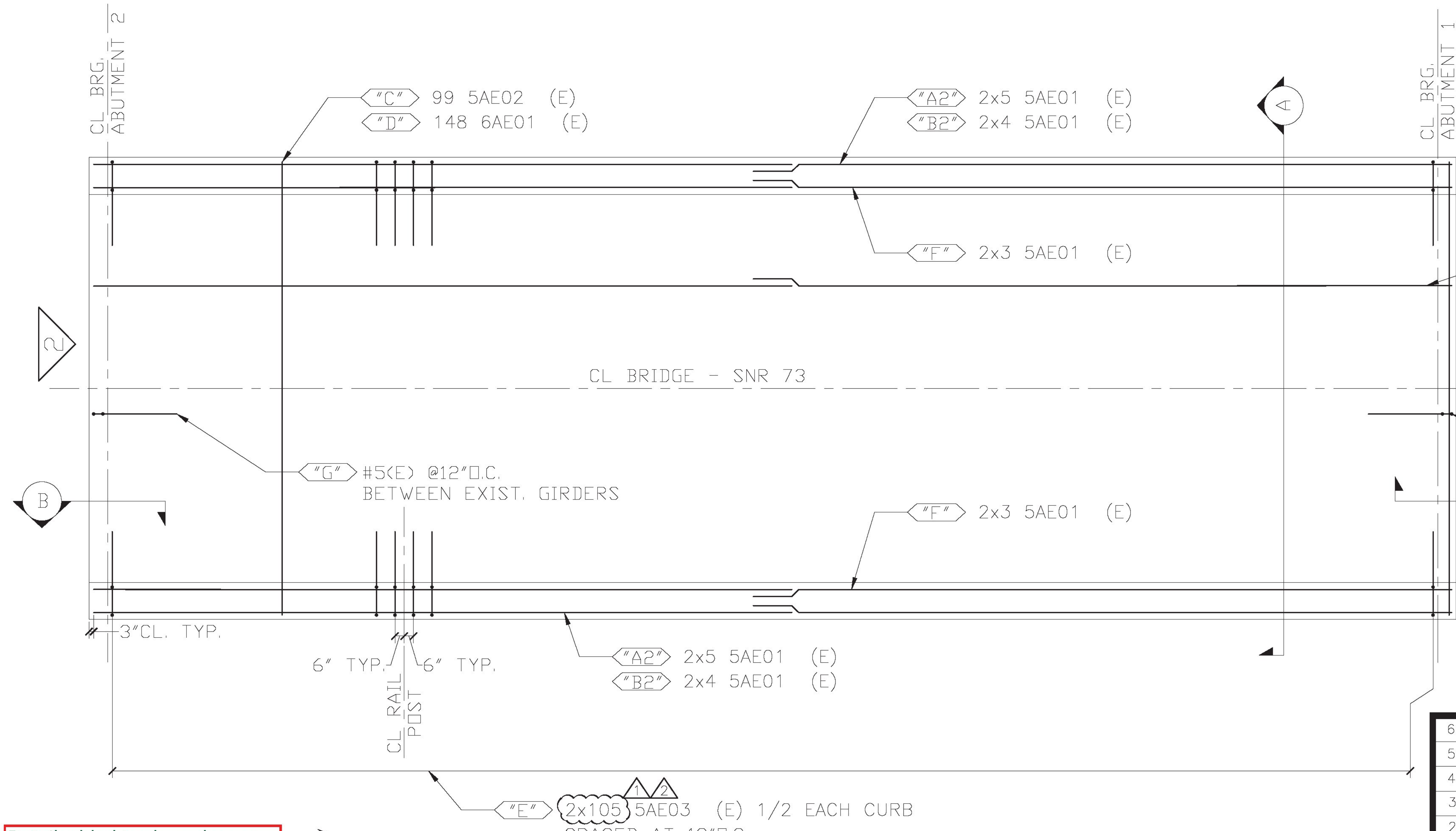
REVIEWED AS REQUIRED BY THE CONSTRUCTION CONTRACT DOCUMENTS AND APPROVED BUT ONLY FOR CONFORMANCE TO THE DESIGN CONCEPT OF THE WORK, AND SUBJECT TO FURTHER LIMITATIONS AND REQUIREMENTS CONTAINED IN THE CONSTRUCTION CONTRACT DOCUMENTS.

REJECTED    REVISE AND RESUBMIT    APPROVED AS NOTED

CORRECTIONS OR COMMENTS MADE ON THE SHOP DRAWINGS DURING THIS REVIEW DID NOT RELIEVE CONTRACTOR FROM COMPLIANCE WITH REQUIREMENTS OF THE DRAWINGS AND SPECIFICATIONS. THIS CHECK IS ONLY FOR REVIEW OF GENERAL CONFORMANCE WITH THE DESIGN CONCEPT OF THE PROJECT AND GENERAL COMPLIANCE WITH THE INFORMATION GIVEN IN THE CONTRACT DOCUMENTS. THE CONTRACTOR IS RESPONSIBLE FOR CONFIRMING AND CORRELATING ALL QUANTITIES AND DIMENSIONS; SELECTING FABRICATION PROCESSES AND TECHNIQUES OF CONSTRUCTION; COORDINATING THEIR WORK WITH THAT OF ALL OTHER TRADES; AND PERFORMING THEIR WORK IN A SAFE AND SATISFACTORY MANNER.

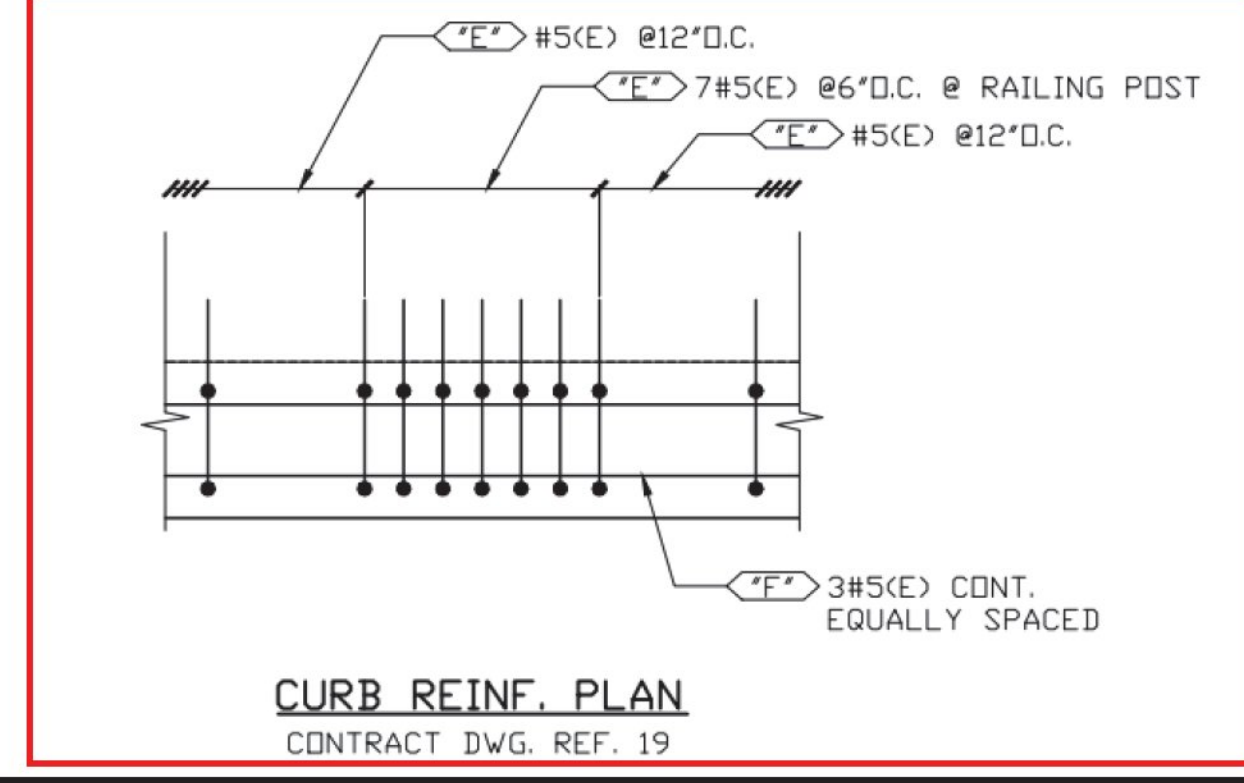
 CLD Consulting Engineers  
 540 Commercial Street  
 Manchester, NH 03101  
 603-888-9223

Job Number: 150223  
 Reviewed by: S. BEAUMONT  
 Date: 04/05/2017



Detail added to shop plans so the Contractor know the intent when laying out the bars.

WORK THIS DRAWING WITH DRAWINGS A1, A2, & A3



**DECK REINFORCEMENT PLAN**  
CONTRACT DWG. REF. 14 OF 27

ALL LAP SPLICES TO BE 3'-0" U.O.S.

**LEGEND:**

CONT.-CONTINUOUS	E.E.-EACH END
TRANS.-TRANSVERSE	E.F.-EACH FACE
DWLS.-DOWELS	N.F.-NEAR FACE
VERTS.-VERTICAL	F.F.-FAR FACE
HORIZ.-HORIZONTAL	E.W.-EACH WAY
T&B -TOP & BOTTOM	O.C.-ON CENTER
I.F.-INNER FACE	L.W.-LONG WAY
O.F.-OUTER FACE	S.W.-SHORT WAY

ELEVATIONS & DIMENSIONS SHOWN ON THIS DWG. ARE FOR REINF. DETAILING PURPOSES ONLY AND ARE NOT INTENDED FOR DIMENSIONAL CONSTRUCTION.

EPOXY REINF. BARS ASTM A615 GRADE 60, MARKED (E)

VERIFICATION OF UNCLEAR INFORMATION MAY BE REQUESTED ON THIS DRAWING. SHOULD VERIFICATION BE LEFT UN-ADDRESSED IT WILL REMAIN AS SHOWN AND ASSUME TO BE CORRECT.


Vermont Agency of Transportation  
**RECEIVED**

CK'D BY  CLD Consulting Engineers   OK'D BY  CLD Consulting Engineers

April 5, 2017

RESUBMIT No   Approved AsNoted  
BY Kristin Higgins   DATE 4/5/2017

**FOR APPROVAL**

6			
5			
4			
3	4/3/17	2	REVISED PER APPROVAL / FOR APPROVAL
2	3/20/17	1	REVISED PER APPROVAL / FOR APPROVAL
1	2/13/17	-	FOR APPROVAL
	DATE	REV.#	SENT FOR
 <b>DIMENSION</b> DIMENSION FABRICATORS INC.   www.dimensionfabricators.com			
STRUCTURE	VTAOT ORWELL STP DECK (41) STATE ROUTE 73, BRIDGE #4		
LOCATION	TOWN OF ORWELL, COUNTY OF ADDISON		
ARCHITECT			
ENGINEER	CLD CONSULTING ENGINEERS		
CUSTOMER	COLD RIVER BRIDGES, LLC		
DRAWN BY	DATE	DFI #	
CMB	2/11/17	10116	
DRAWING COVERS			DRAWING #
DECK SLAB & CURTAIN WALL			A