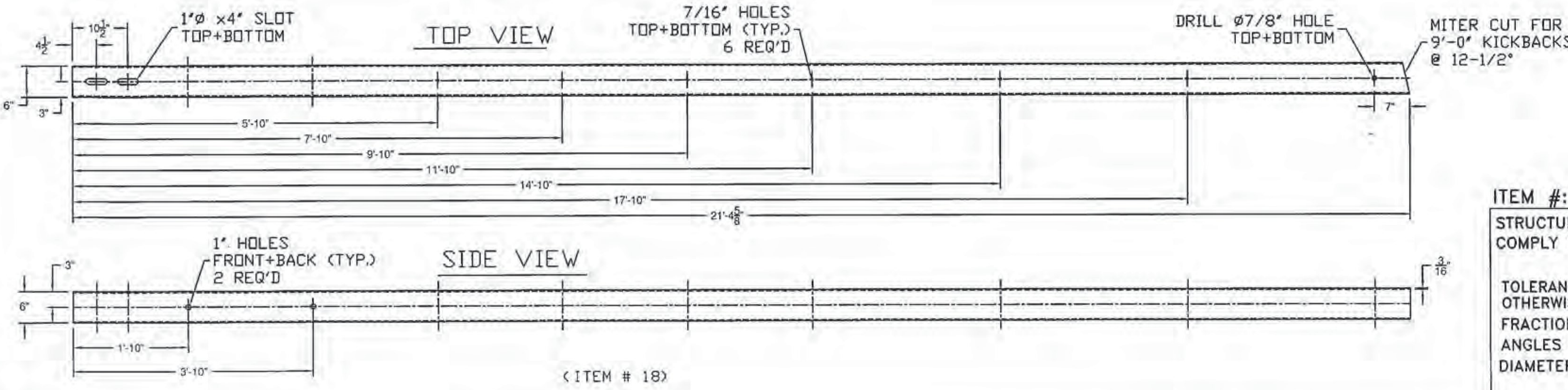
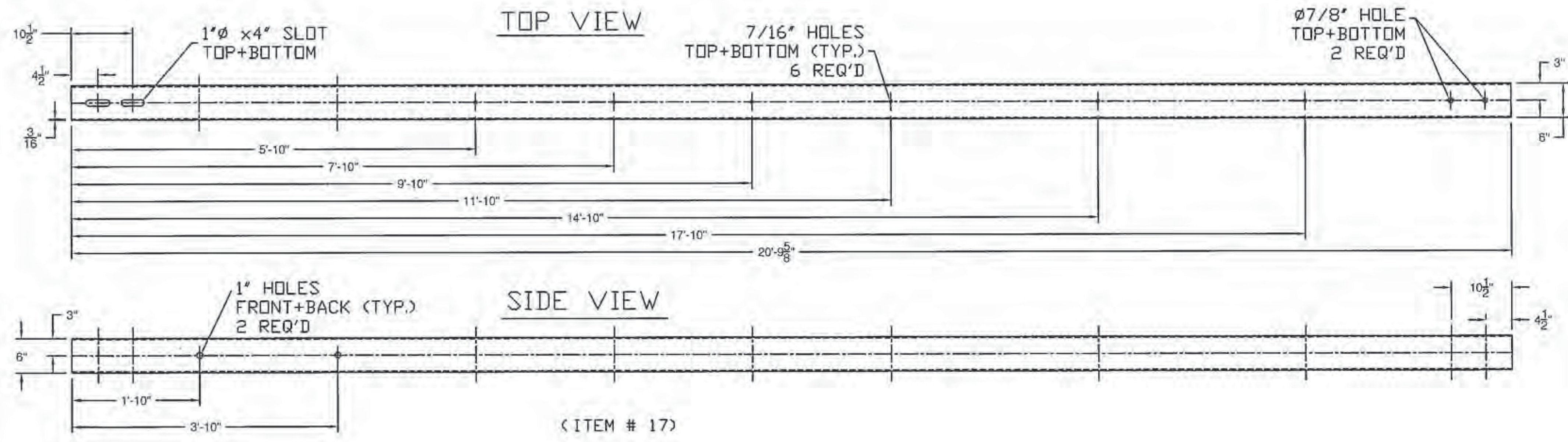


SPLICE TUBE - FIXED SPLICE TUBE - EXPANSION



SHOP DRAWING REVIEW

REVIEWED AS REQUIRED BY THE CONSTRUCTION CONTRACT DOCUMENTS AND APPROVED, BUT ONLY FOR CONFORMANCE TO THE DESIGN CONCEPT OF THE WORK, AND SUBJECT TO FURTHER LIMITATIONS AND REQUIREMENTS CONTAINED IN THE CONSTRUCTION CONTRACT DOCUMENTS.

REJECTED REVISE AND RESUBMIT APPROVED AS NOTED

CORRECTIONS OR COMMENTS MADE ON THE SHOP DRAWINGS DURING THIS REVIEW DO NOT RELIEVE CONTRACTOR FROM COMPLIANCE WITH REQUIREMENTS OF THE DRAWINGS AND SPECIFICATIONS. THIS CHECK IS ONLY FOR REVIEW OF GENERAL CONFORMANCE WITH THE DESIGN CONCEPT OF THE PROJECT AND GENERAL COMPLIANCE WITH THE INFORMATION GIVEN IN THE CONTRACT DOCUMENTS. THE CONTRACTOR IS RESPONSIBLE FOR: CORRECTING AND CORRELATING ALL QUANTITIES AND DIMENSIONS; SELECTING FABRICATION PROCESSES AND TECHNIQUES OF CONSTRUCTION; COORDINATING THEIR WORK WITH THAT OF ALL OTHER TRADES; AND PERFORMING THEIR WORK IN A SAFE AND SATISFACTORY MANNER.

CLD Consulting Engineers
340 Commercial Street
Manchester, NH 03101
603-868-2522

Job Number: 150223
Reviewed by: S. BEAUMONT
Date: 02/28/2017

Vermont Agency of Transportation
RECEIVED
CK'D BY CLD OK'D BY CLD
February 14, 2017
RESUBMIT No Approved As Noted
BY Kristin Higgins DATE 2/28/2017

ITEM #: 900.620
STRUCTURAL STEEL TO COMPLY W/ ASTM A6
TOLERANCE UNLESS OTHERWISE NOTED:
FRACTIONS = ± 1/16"
ANGLES = ± 1/2"
DIAMETERS = ± 1/32"

GUARD RAIL TO BRIDGE RAIL TRANSITION DETAILS SHEET
STATE NUMBERED ROUTE 73 (TH #3) (MAJOR COLLECTOR) - BR NO. 4
TOWN OF ORWELL, ADDISON COUNTY, VT

R NO.	DATE	DESCRIPTION	BY	R NO.	DATE	DESCRIPTION	BY

ELDERLEE, INC.
OAKS CORNERS, NEW YORK 14518
email: dlong@elderlee.com / epeek@elderlee.com
Tel: 315-789-6670 Fax: 315-789-6615

CERTIFIED FABRICATOR
ORTHOGONOGRAPHIC PROJECTION

DRAWN D.K. 12/14/16
CHECKED E.P. 12/14/16
APPROVED D.L. 12/14/16
SCALE SCHEMATIC
DRAWING NO. FR Lafayette - ORWELL-T