

SHOP DRAWING REVIEW

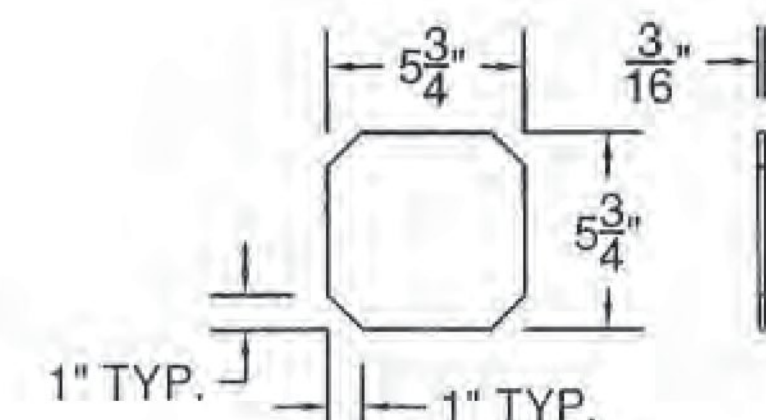
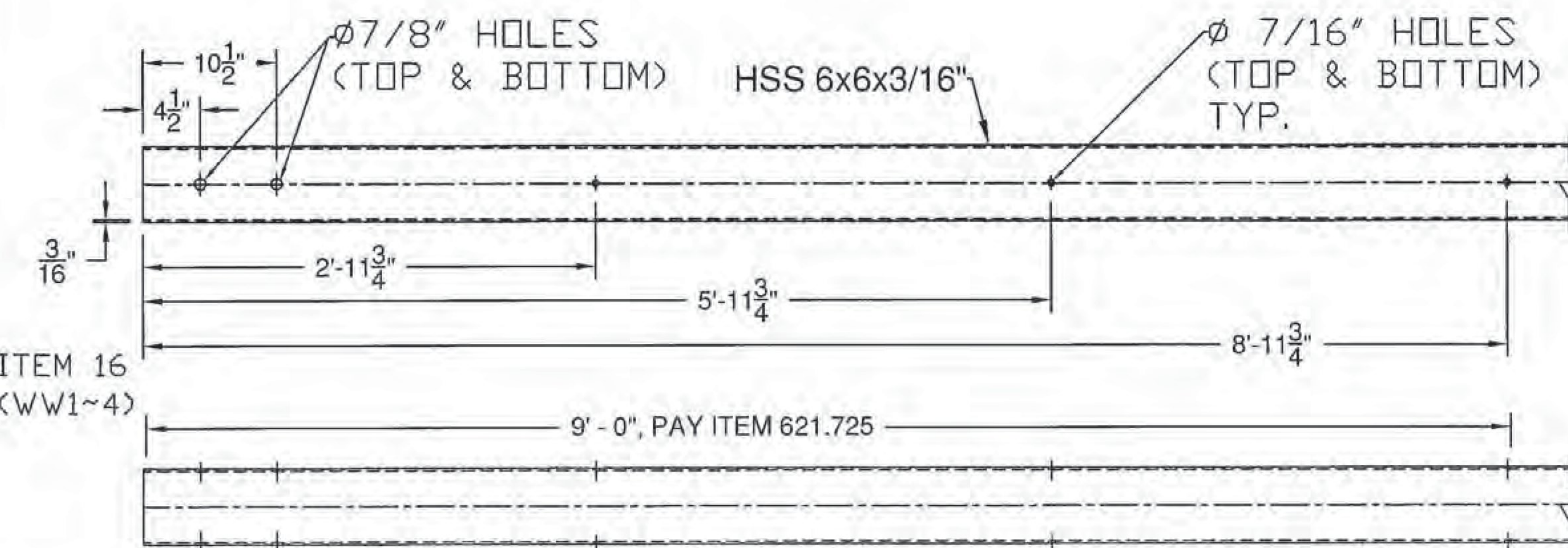
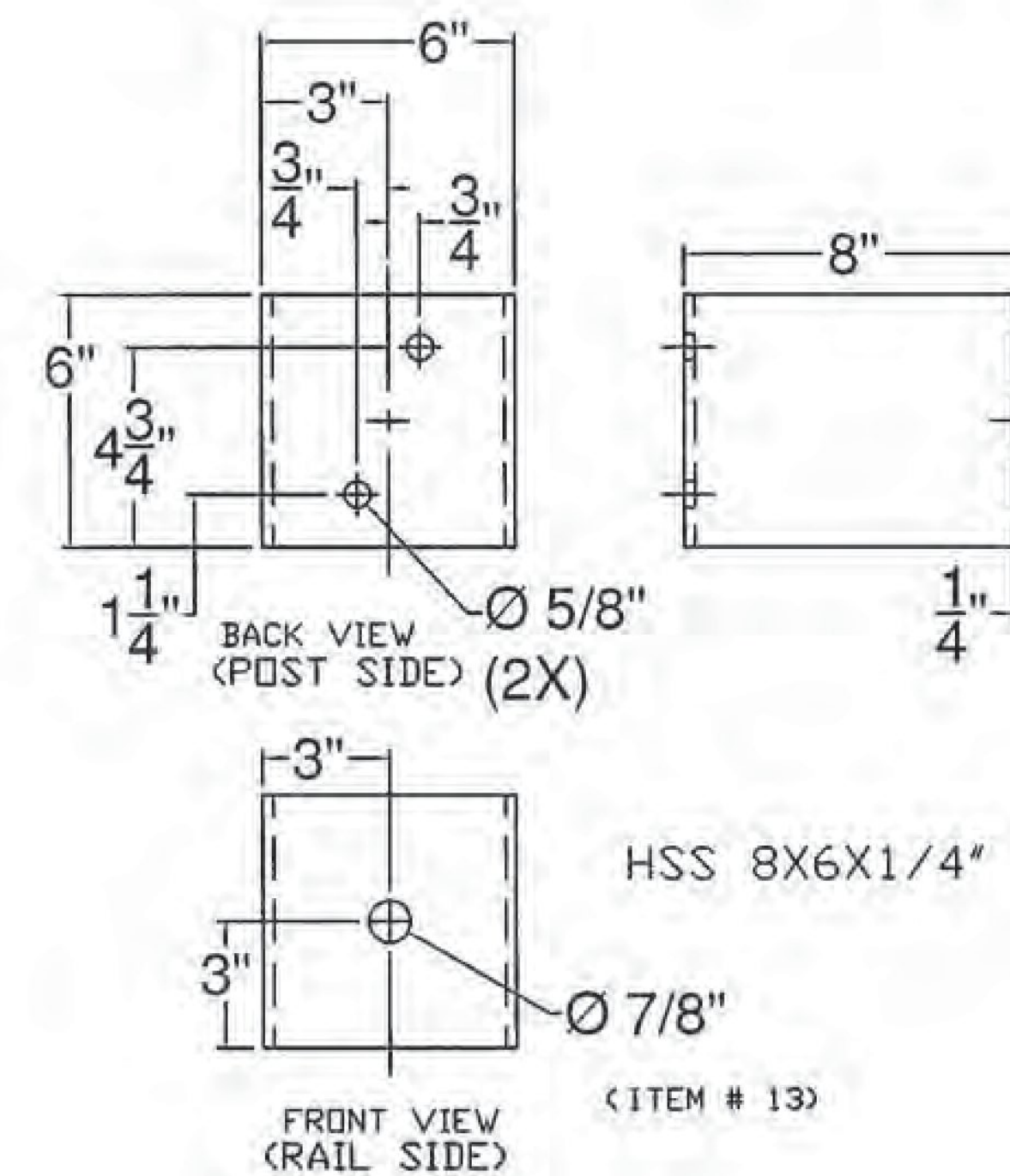
REVIEWED AS REQUIRED BY THE CONSTRUCTION CONTRACT DOCUMENTS AND APPROVED, BUT ONLY FOR CONFORMANCE TO THE DESIGN CONCEPT OF THE WORK, AND SUBJECT TO FURTHER LIMITATIONS AND REQUIREMENTS CONTAINED IN THE CONSTRUCTION CONTRACT DOCUMENTS.

REJECTED REVISE AND RESUBMIT APPROVED AS NOTED

CORRECTIONS OR COMMENTS MADE ON THE SHOP DRAWINGS DURING THIS REVIEW DID NOT RELIEVE CONTRACTOR FROM COMPLIANCE WITH REQUIREMENTS OF THE DRAWINGS AND SPECIFICATIONS. THIS CHECK IS ONLY FOR REVIEW OF GENERAL CONFORMANCE WITH THE DESIGN CONCEPT OF THE PROJECT AND GENERAL COMPLIANCE WITH THE INFORMATION GIVEN IN THE CONTRACT DOCUMENTS. THE CONTRACTOR IS RESPONSIBLE FOR CONFIRMING AND CORRELATING ALL QUANTITIES AND DIMENSIONS; SELECTING FABRICATION PROCESSES AND TECHNIQUES OF CONSTRUCTION; COORDINATING THEIR WORK WITH THAT OF ALL OTHER TRADES; AND PERFORMING THEIR WORK IN A SAFE AND SATISFACTORY MANNER.

CLD Consulting Engineers
 240 Commercial Street
 Montpelier, NH 05701
 800-668-8223

Job Number: 150223
 Reviewed by: S. BEAUMONT
 Date: 02/28/2017



ITEM #: 900.620
 STRUCTURAL STEEL TO COMPLY W/ ASTM A6

TOLERANCE UNLESS OTHERWISE NOTED:
 FRACTIONS = ± 1/16"
 ANGLES = ± 1/2"
 DIAMETERS = ± 1/32"

GUARD RAIL TO BRIDGE RAIL TRANSITION DETAILS SHEET
 STATE NUMBERED ROUTE 73 (TH #3) (MAJOR COLLECTOR) - BR NO. 4
 TOWN OF ORWELL, ADDISON COUNTY, VT

REV	NO.	DATE	DESCRIPTION	BY	REV	NO.	DATE	DESCRIPTION	BY

DRAWN	D.K.	12/14/16
CHECKED	E.P.	12/14/16
APPROVED	D.L.	12/14/16
SCALE	SCHEMATIC	
DRAWING NO.	FR Lafayette - ORWELL-T	

ELDERLEE, INC.
 OAKS CORNERS, NEW YORK 14518
 email: dlong@elderlee.com / epeek@elderlee.com
 Tel: 315-789-6670 Fax: 315-789-6615

Vermont Agency of Transportation
RECEIVED
 CK'D BY CLD OK'D BY CLD
 February 14, 2017
 RESUBMIT No Approved AsNoted
 By Kristin Higgins DATE 2/28/2017