

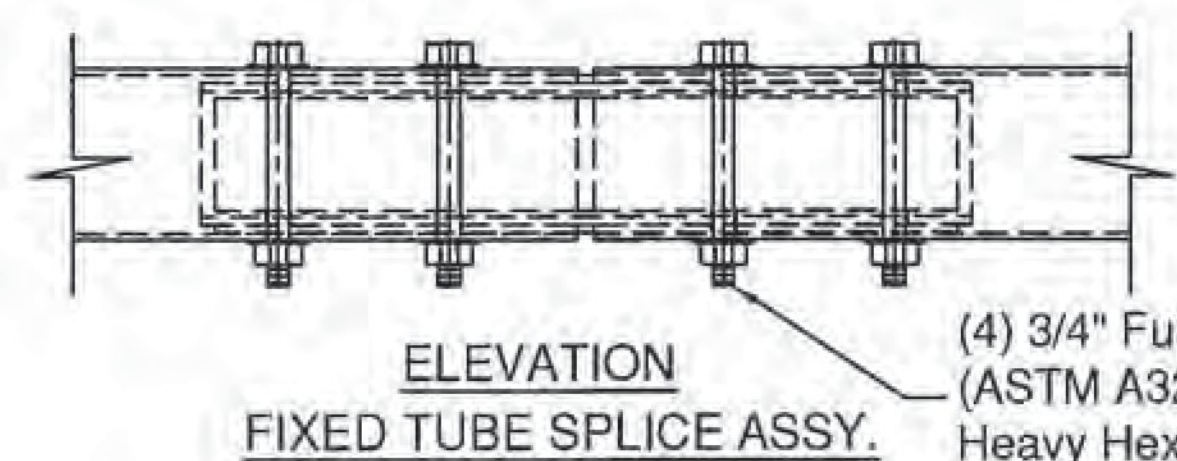
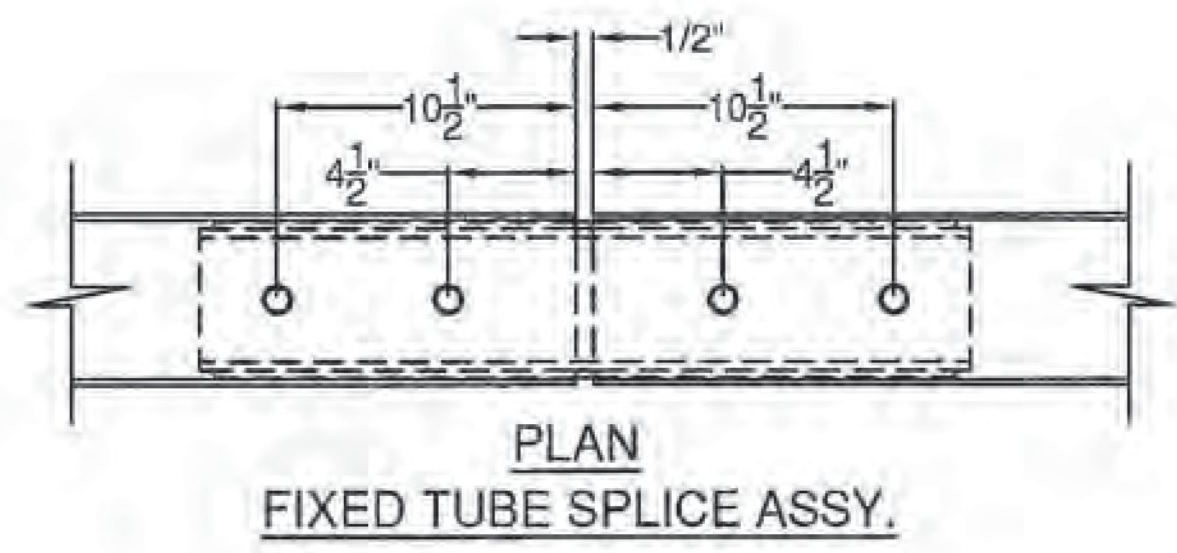
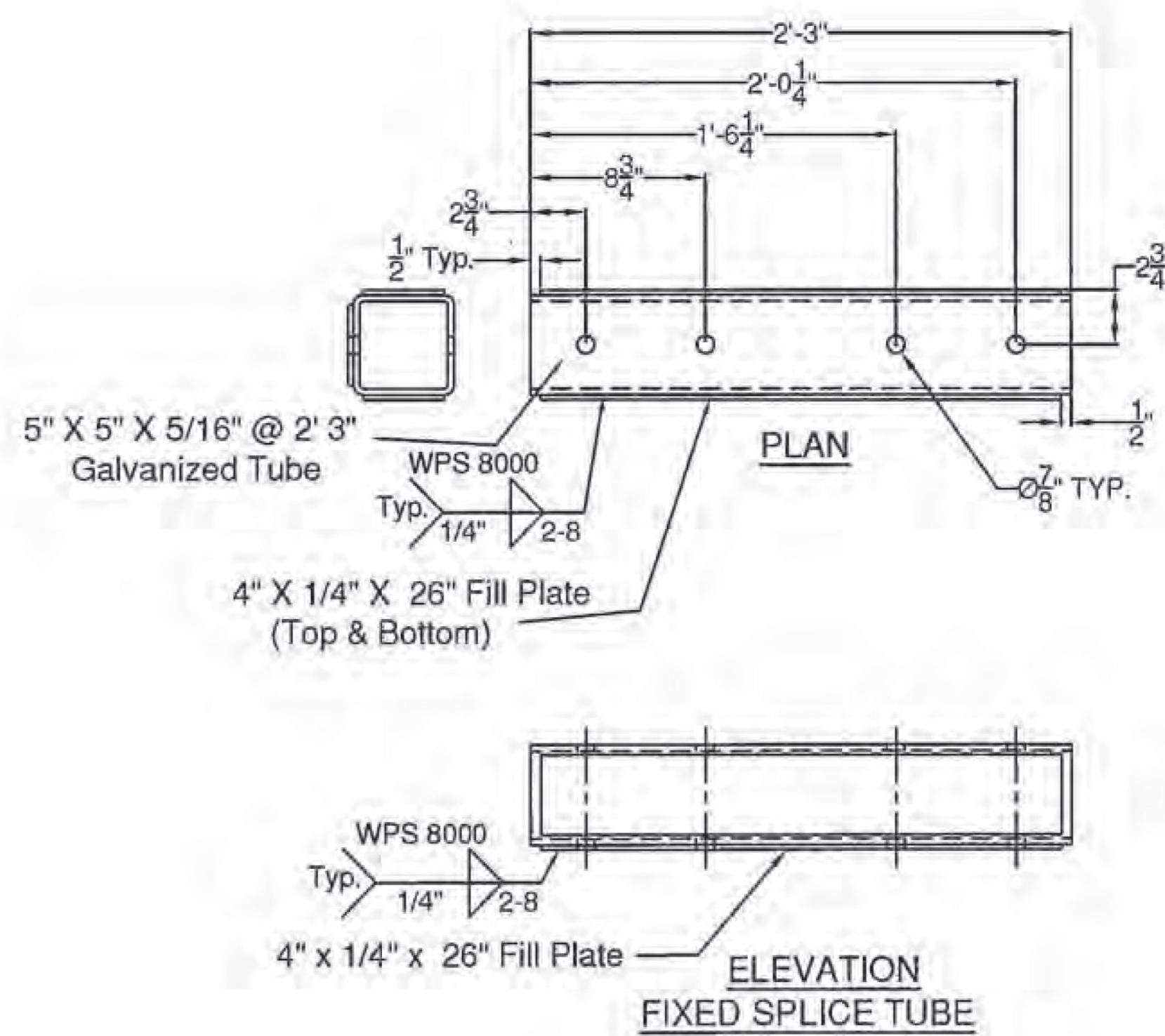
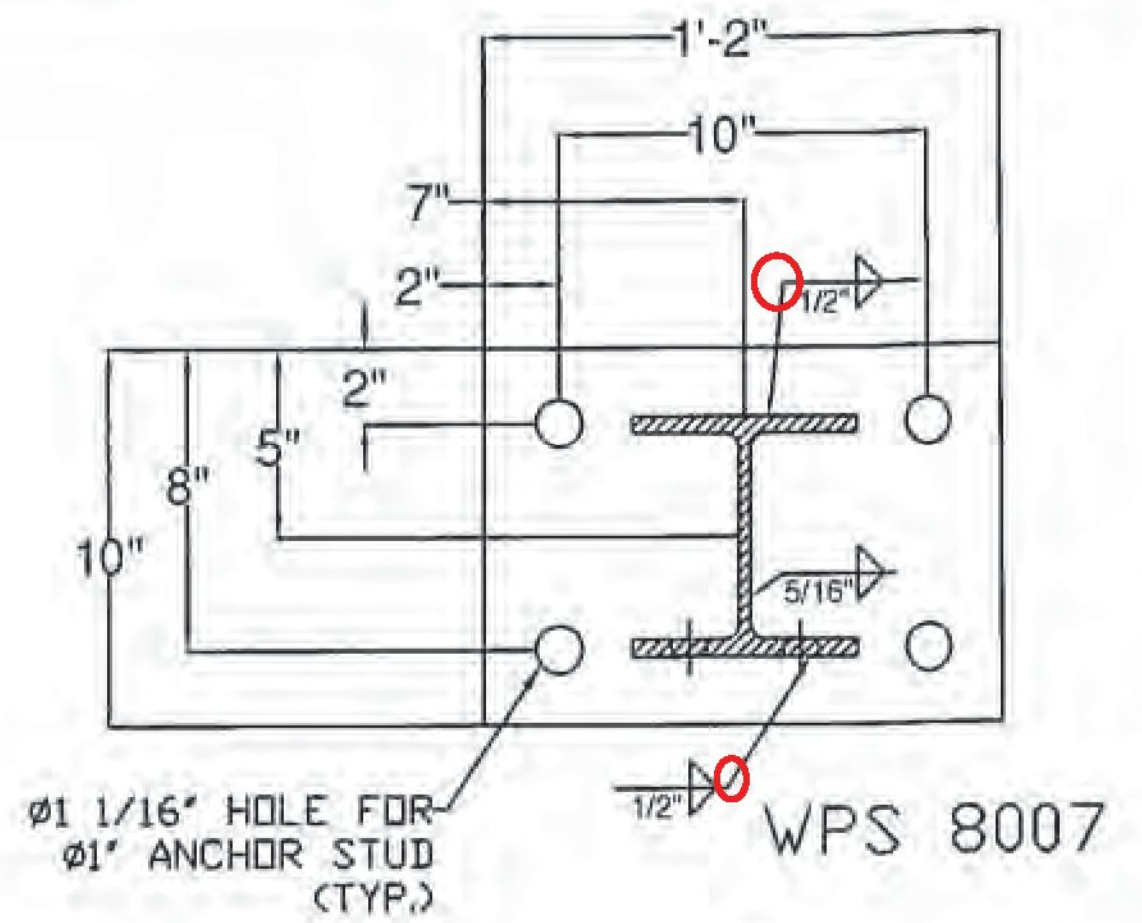
SHOP DRAWING REVIEW

REVIEWED AS REQUIRED BY THE CONSTRUCTION CONTRACT DOCUMENTS AND APPROVED, BUT ONLY FOR CONFORMANCE TO THE DESIGN CONCEPT OF THE WORK, AND SUBJECT TO FURTHER LIMITATIONS AND REQUIREMENTS CONTAINED IN THE CONSTRUCTION CONTRACT DOCUMENTS.
 REJECTED REVISE AND RESUBMIT APPROVED AS NOTED

CORRECTIONS OR COMMENTS MADE ON THE SHOP DRAWINGS DURING THIS REVIEW DID NOT RELIEVE CONTRACTOR FROM COMPLIANCE WITH REQUIREMENTS OF THE DRAWINGS AND SPECIFICATIONS. THIS CHECK IS ONLY FOR REVIEW OF GENERAL CONFORMANCE WITH THE DESIGN CONCEPT OF THE PROJECT AND GENERAL COMPLIANCE WITH THE INFORMATION GIVEN IN THE CONTRACT DOCUMENTS. THE CONTRACTOR IS RESPONSIBLE FOR CONFIRMING AND CORRELATING ALL QUANTITIES AND DIMENSIONS; SELECTING FABRICATION PROCESSES AND TECHNIQUES OF CONSTRUCTION; COORDINATING THEIR WORK WITH THAT OF ALL OTHER TRADES; AND PERFORMING THEIR WORK IN A SAFE AND SATISFACTORY MANNER.

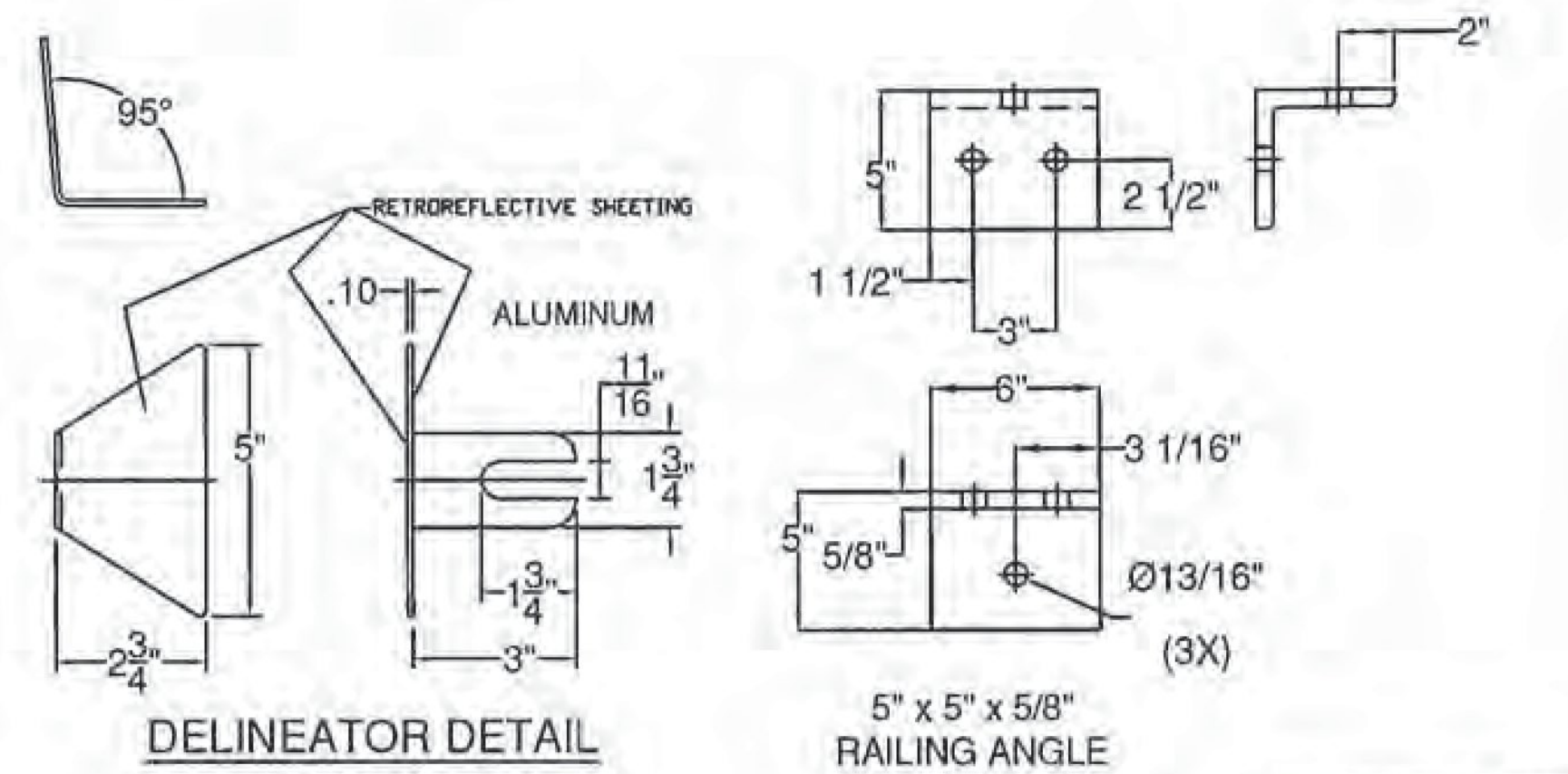
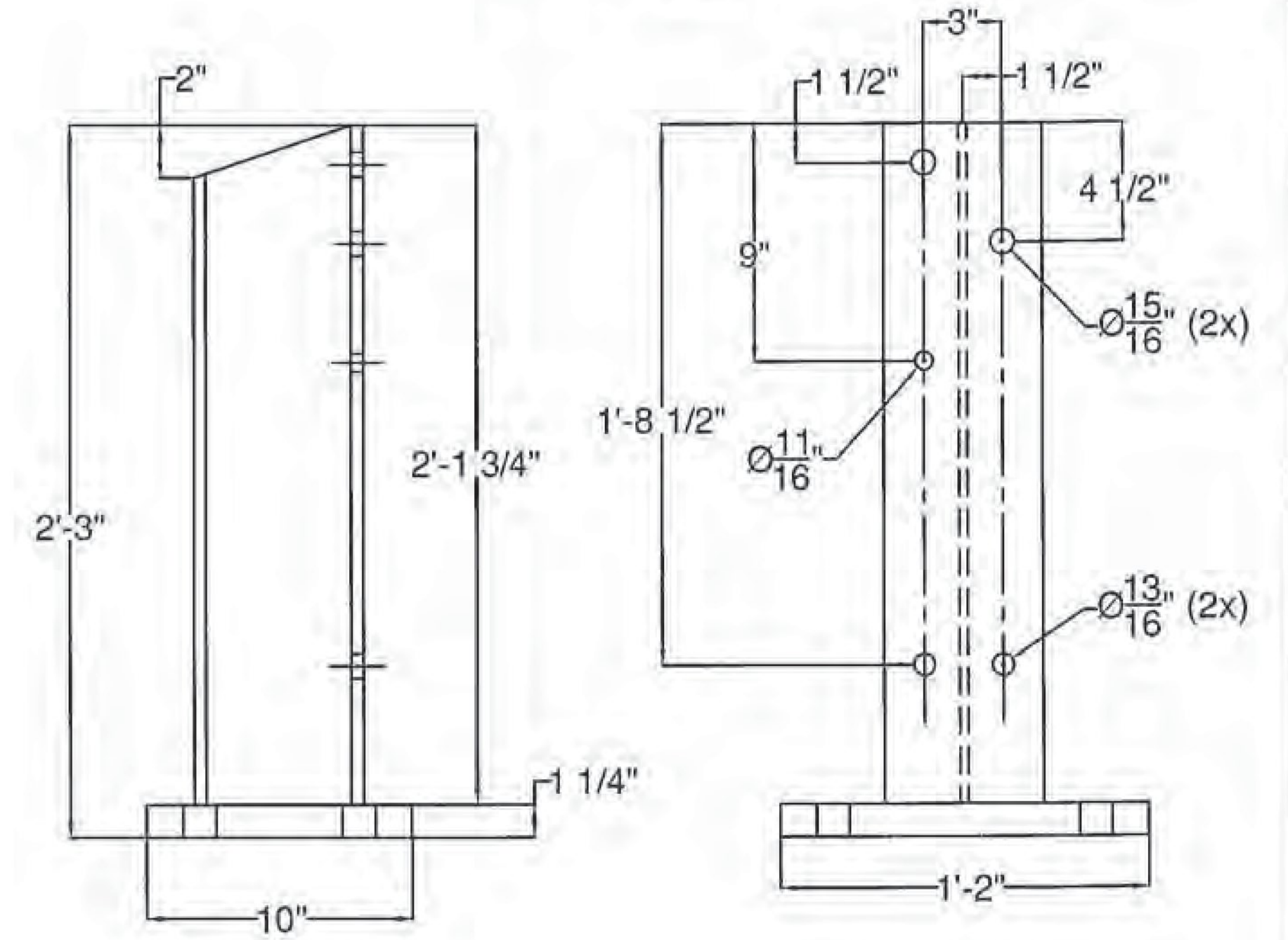
 CLD Consulting Engineers
 540 Commercial Street
 Manchester, NH 03101
 603-668-8223

Job Number: 150223
 Reviewed by: S. BEAUMONT
 Date: 02/28/2017



(4) 3/4" Fully Threaded Bolts, 7 1/2" Long
 (ASTM A325, TYPE 1) 2 Washers and a
 Heavy Hex Nut on each Bolt. Nut to be Finger
 Tight and the First Thread below the nut to be
 damaged A.O.B.E.. 4 Bolts at Each Splice.

SPLICE TUBE - FIXED




ITEM #: 900.640

APPROVED BY:
 Vermont Agency of Transportation
RECEIVED
 CK'D BY CLD OK'D BY CLD
 February 14, 2017
 RESUBMIT No Approved AsNoted
 BY Kristin Higgins DATE 2/28/2017

SPECIAL PROVISION, BR, GALV. 2 RAIL BB/ CURB MOUNTED
 ORWELL STP DECK (41), STATE NUMBERED ROUTE 73 (TH #3) (MAJOR COLLECTOR) - BR NO. 4
 TOWN OF ORWELL, ADDISON COUNTY, VT

R NO.	DATE	DESCRIPTION	BY	R NO.	DATE	DESCRIPTION	BY

DRAWN	E.P.	12/28/16
CHECKED	D.L.	12/28/16
APPROVED	M.V.	
SCALE	SCHEMATIC	
DRAWING NO. FR Lalayette - ORWELL		


ELDERLEE, INC.
 OAKS CORNERS, NEW YORK 14518
 E-Mail: dlong@elderlee.com
 Tel: 315-789-6670 Fax: 315-789-6615

