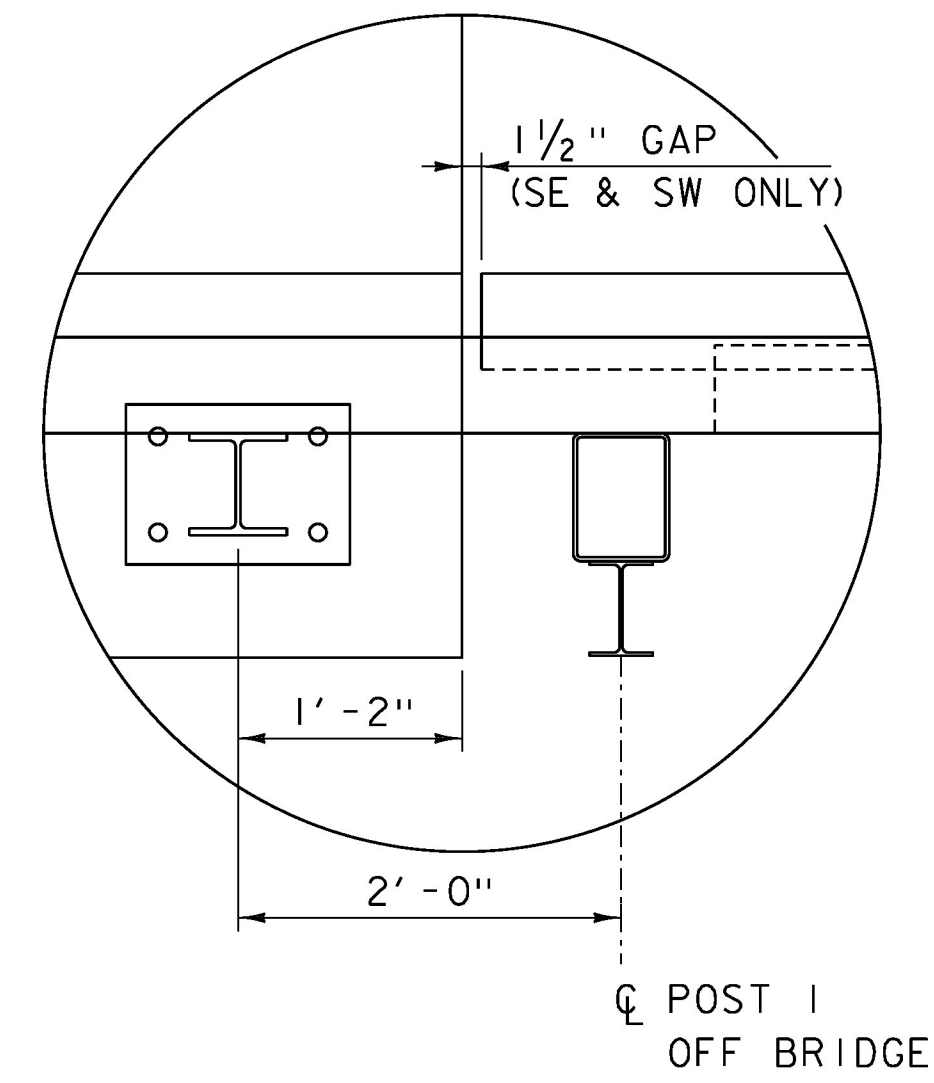
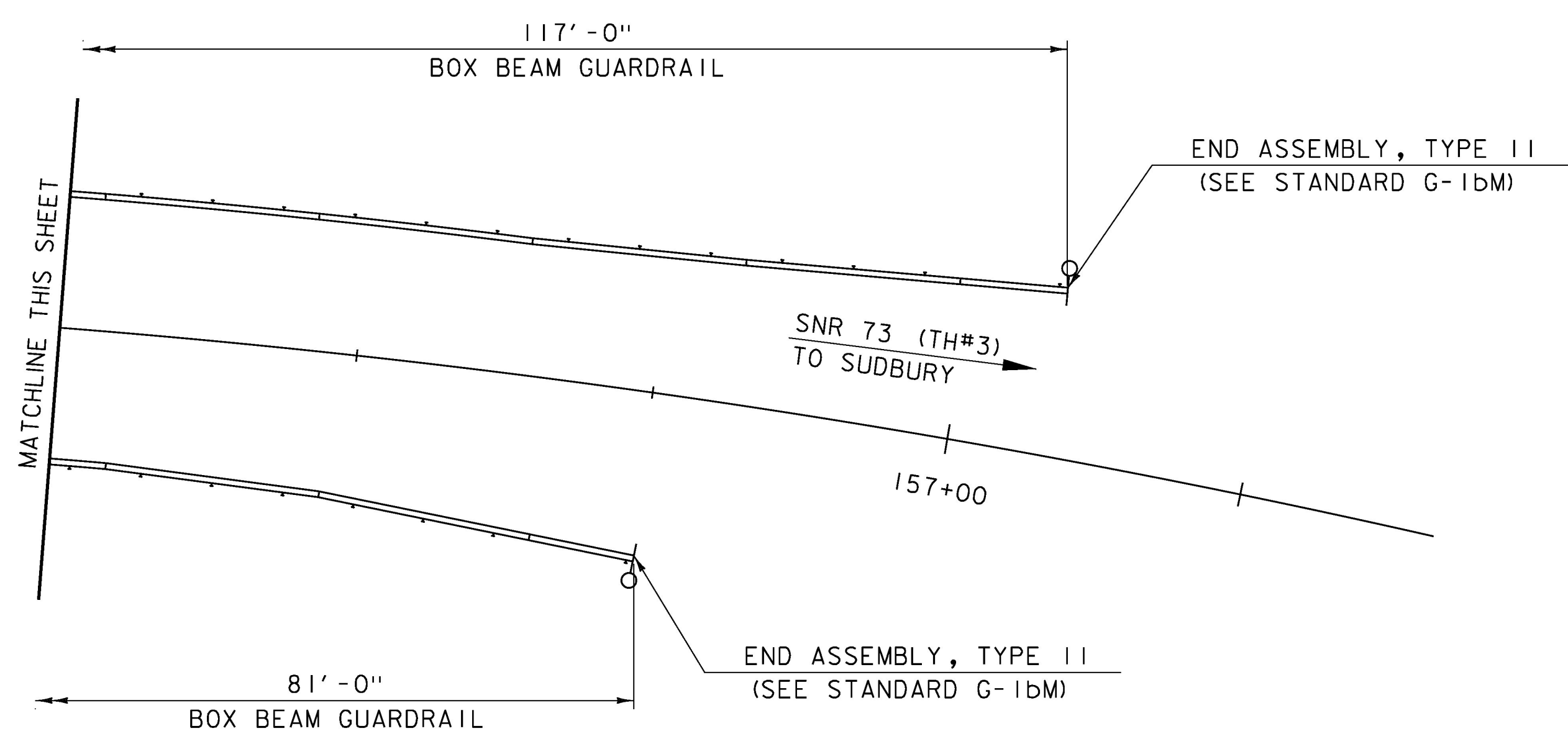


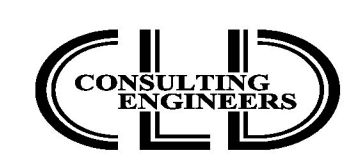
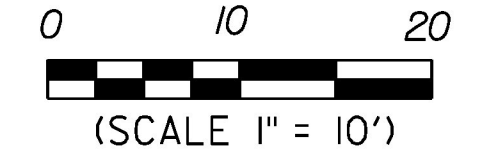
RAIL LAYOUT
SCALE 1" = 10'-0"



INSERT "A"
(SOUTHWEST CORNER SHOWN,
OTHER CORNERS SIMILAR)
SCALE 1" = 1'-0"

- NOTES:**
1. SEE BRIDGE AND APPROACH RAIL DETAILS ON SHEETS 21 AND 22.
 2. SEE SHEET 6 FOR TYPICAL CAST-IN-PLACE CONCRETE CURB, TYPE B EARTHWORKS DETAIL.
 3. SEE STANDARD G-1bM.

PROJECT NAME:	ORWELL	PLOT DATE:	10/4/2016
PROJECT NUMBER:	STP DECK(4I)	DRAWN BY:	M. SMITH
FILE NAME:	z15j108rail_bdr-4.dgn	DESIGNED BY:	N. CARON
PROJECT LEADER:	J. BYATT	CHECKED BY:	A. GIRALDI
RAIL LAYOUT SHEET			SHEET 20 OF 27



CLD 15-0223 MODEL: Rail01