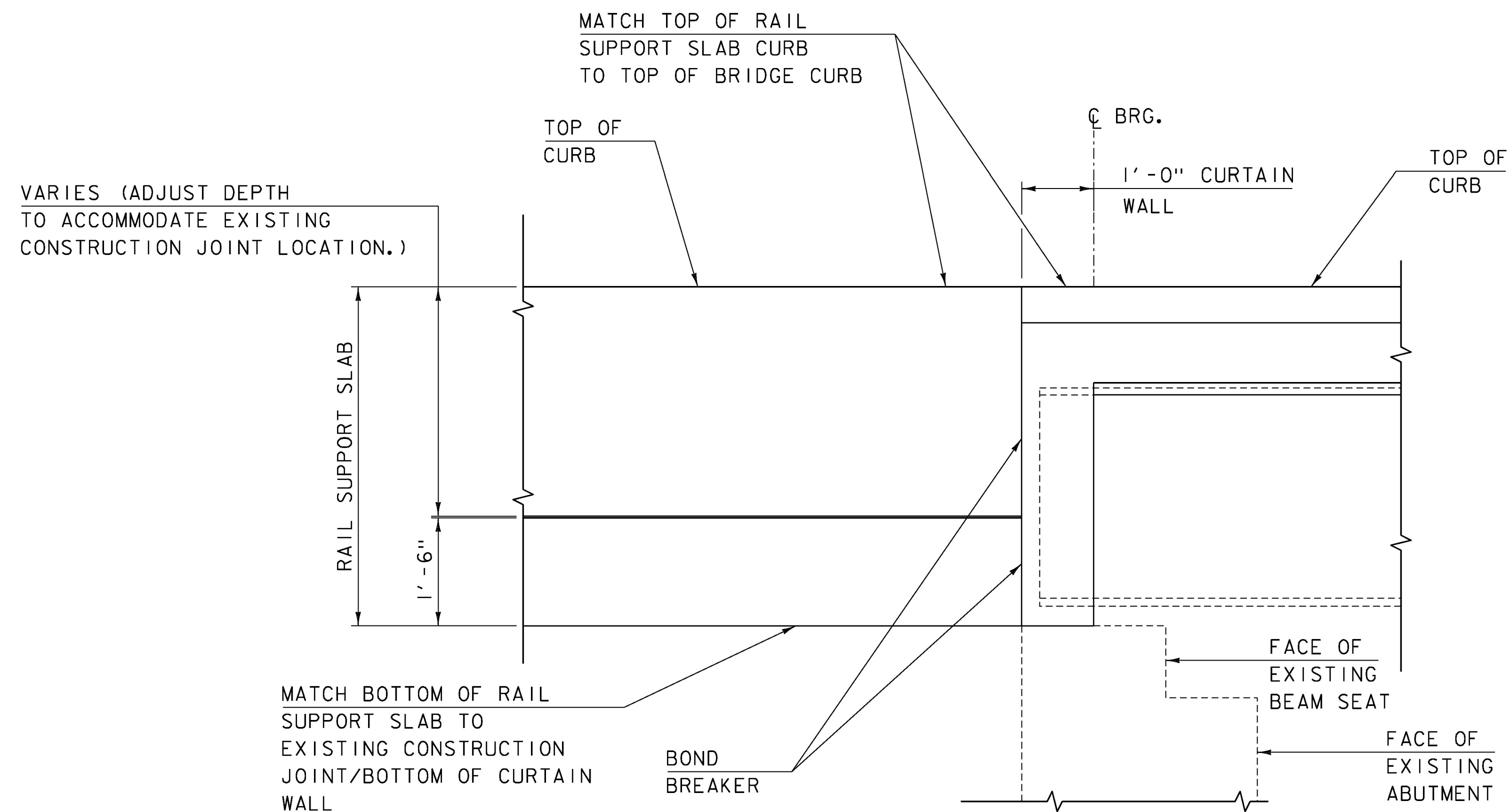
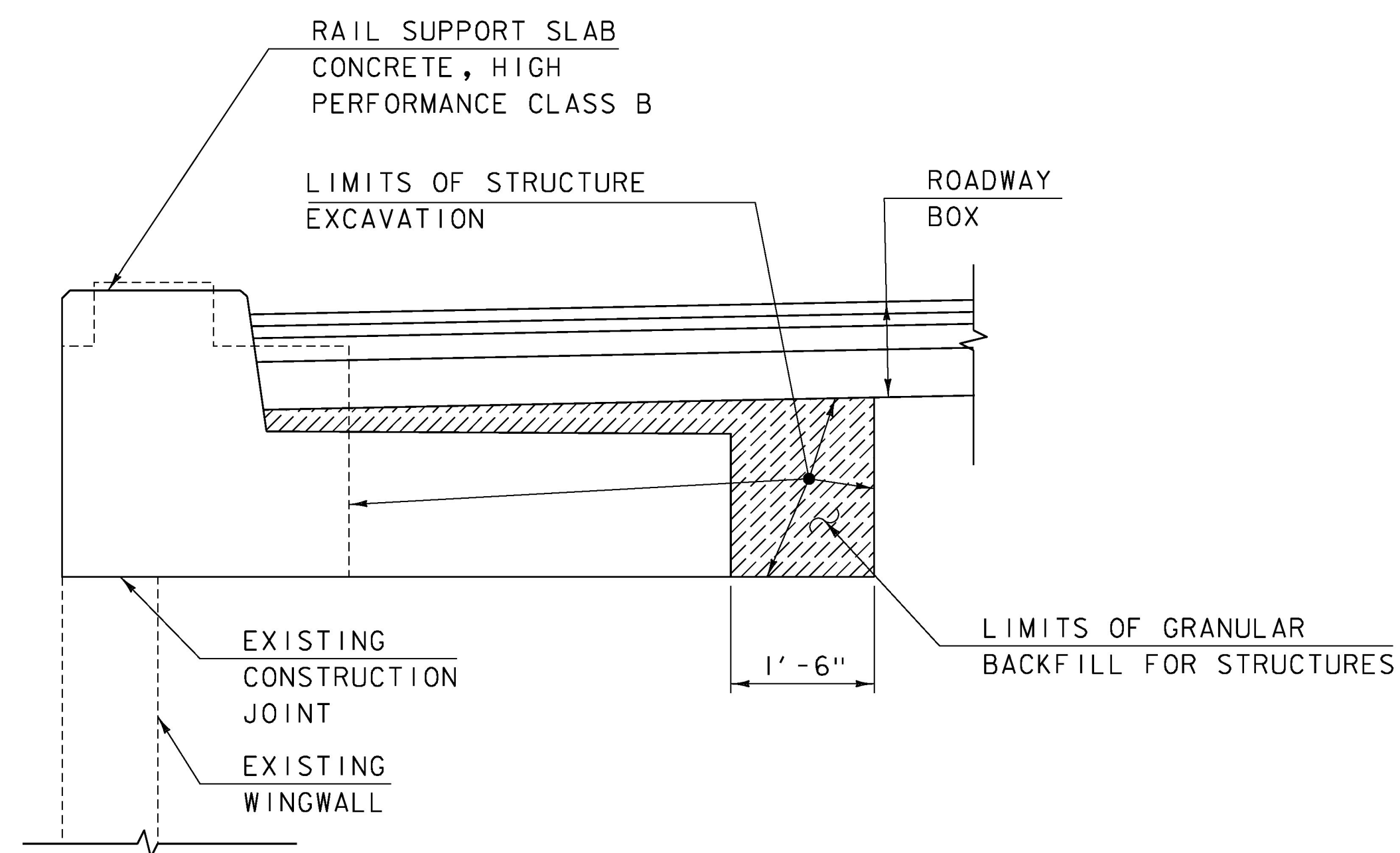


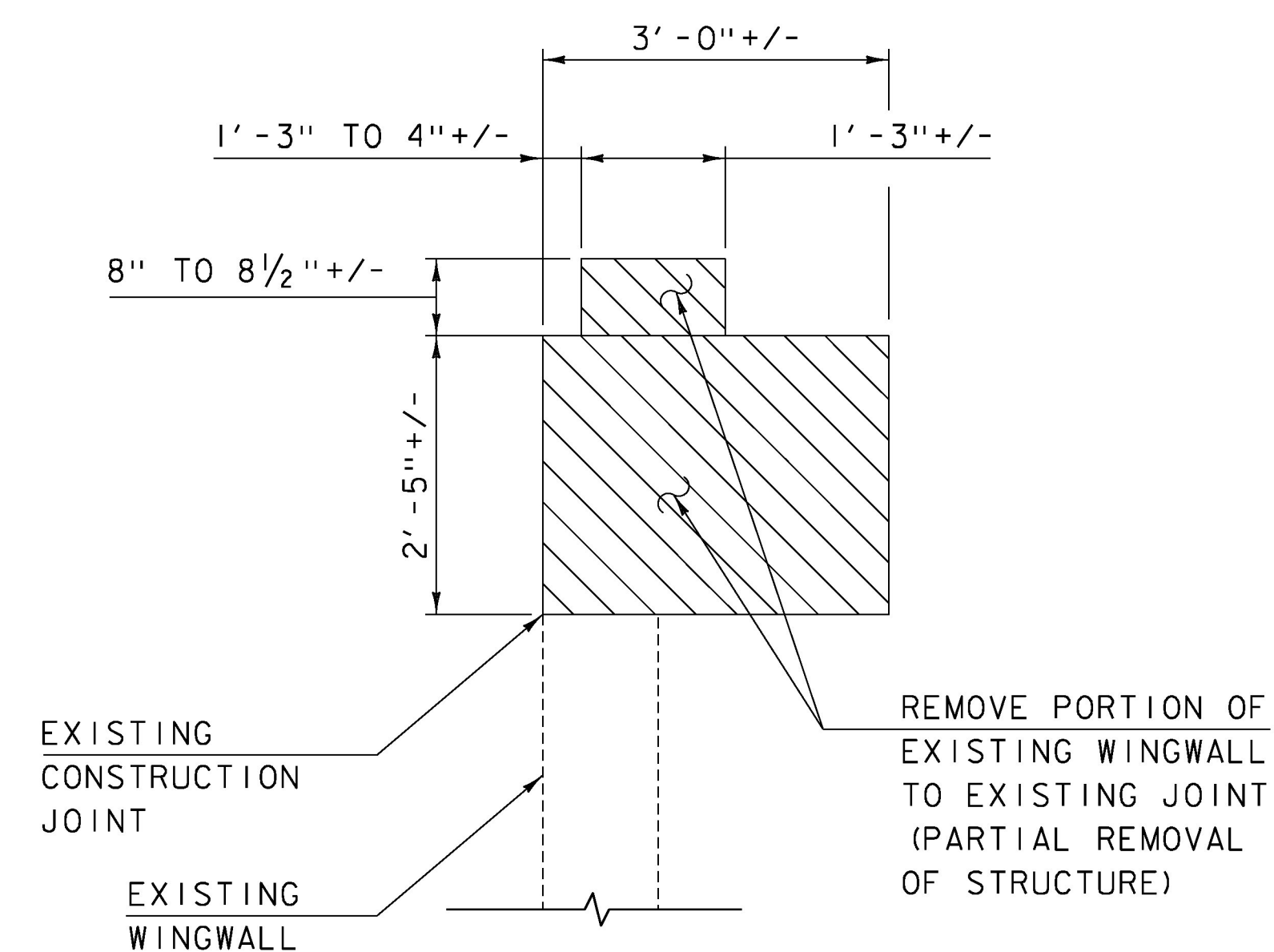
SECTION A-A
SCALE: 3/4" = 1'-0"



SECTION B-B
SCALE: 3/4" = 1'-0"



TYPICAL RAIL SUPPORT SLAB EARTHWORKS
SCALE: 3/4" = 1'-0"



TYPICAL WINGWALL REMOVAL SECTION
SCALE: 3/4" = 1'-0"

NOTES:

- 3" CLEAR, UNLESS OTHERWISE SPECIFIED ON THE PLANS.
- 3'-0" BAR LAP UNLESS OTHERWISE SPECIFIED ON THE PLANS.
- 1'-0" HOOK UNLESS OTHERWISE SPECIFIED ON THE PLANS
- SEE SHEET 17 FOR RAIL SUPPORT SLAB MASONRY AND REINFORCEMENT PLAN.
- ALL DIMENSIONS ARE BASED ON FIELD MEASUREMENTS AND ARE APPROXIMATE. THE CONTRACTOR SHALL VERIFY ALL EXISTING DIMENSIONS.
- COMPACT EXISTING MATERIAL BELOW RAIL SUPPORT SLAB. PAYMENT FOR THIS WORK WILL BE CONSIDERED INCIDENTAL TO ITEM 501.34, "CONCRETE, HIGH PERFORMANCE CLASS B".
- THE BRIDGE PLAQUE FURNISHED BY THE AGENCY SHALL BE CAST INTO THE BACK FACE OF THE RAIL SUPPORT SLAB AT THE SOUTHEAST CORNER NEAREST THE ABUTMENT. SEE STANDARD SD-502.00 FOR ADDITIONAL INFORMATION.

PROJECT NAME: ORWELL	PLOT DATE: 8/22/2016
PROJECT NUMBER: STP DECK(4I)	DRAWN BY: M. SMITH
FILE NAME: z15j108typ-4.dgn	CHECKED BY: S. BEAUMONT
PROJECT LEADER: J. BYATT	SHEET 18 OF 27
DESIGNED BY: A. GIRALDI	
RAIL SUPPORT SLAB DETAILS SHEET 2	