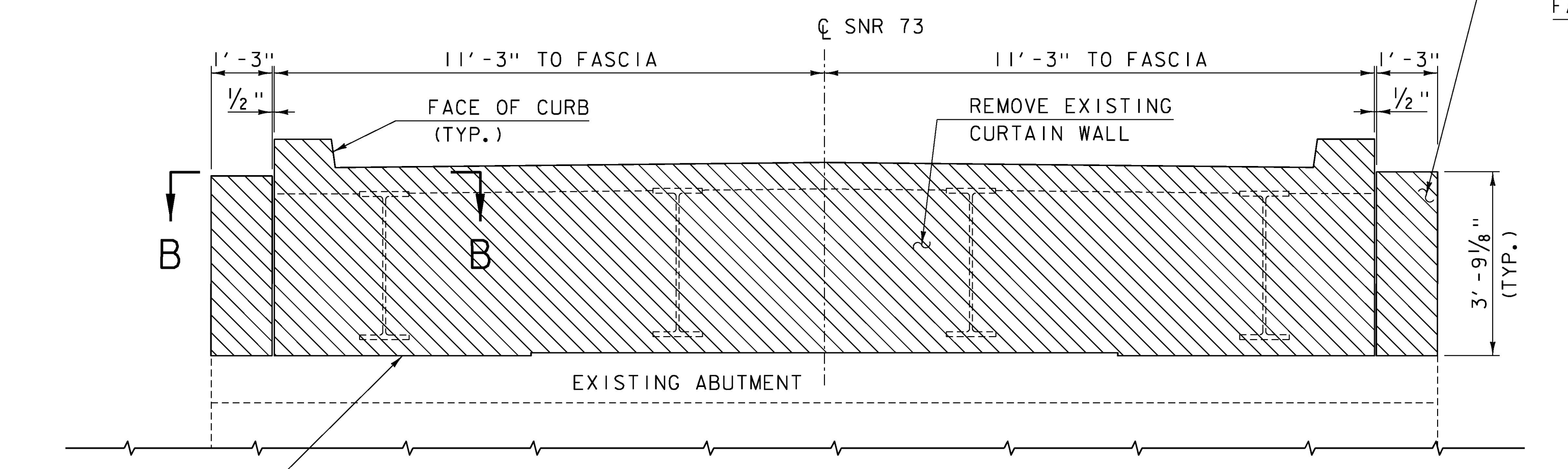
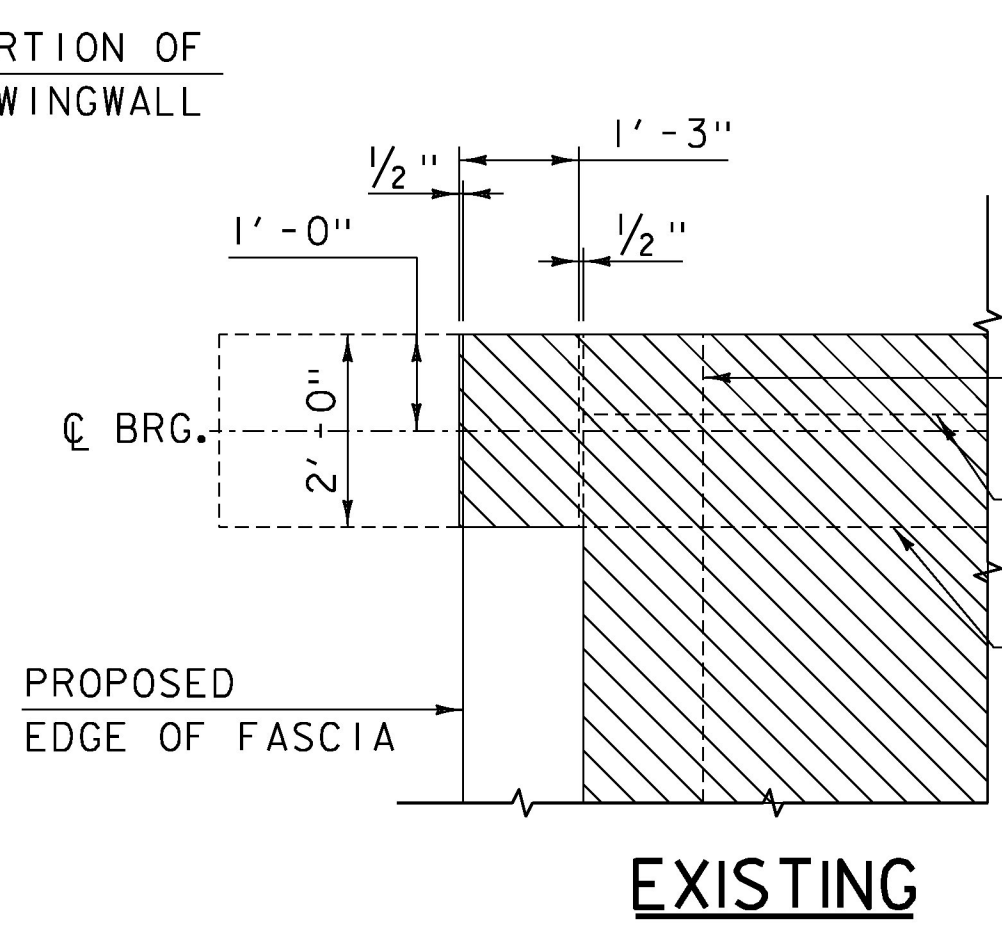


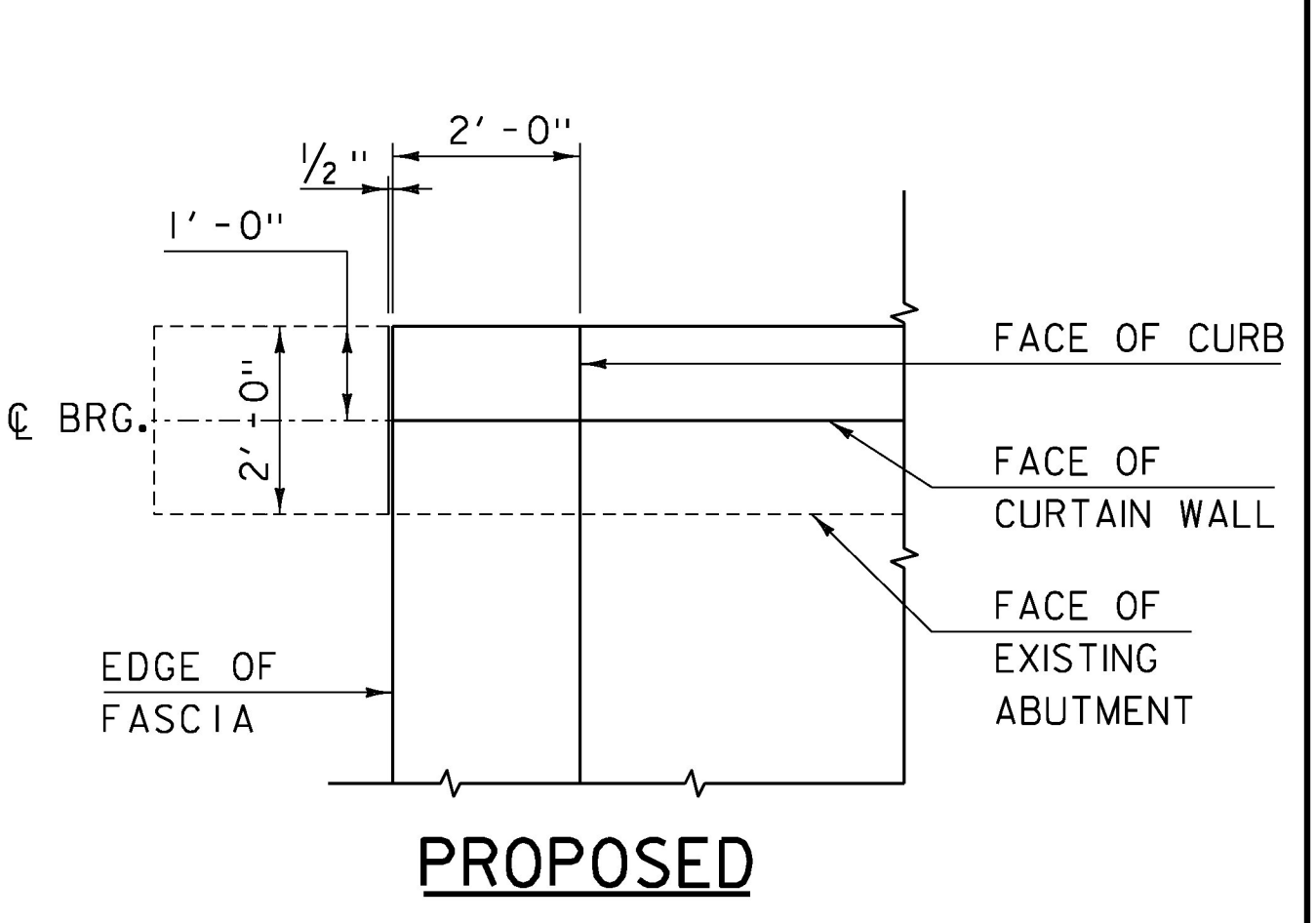
REMOVAL LIMITS - ABUTMENT 1
SCALE: 1/2" = 1'-0"



REMOVAL LIMITS - ABUTMENT 2
SCALE: 1/2" = 1'-0"

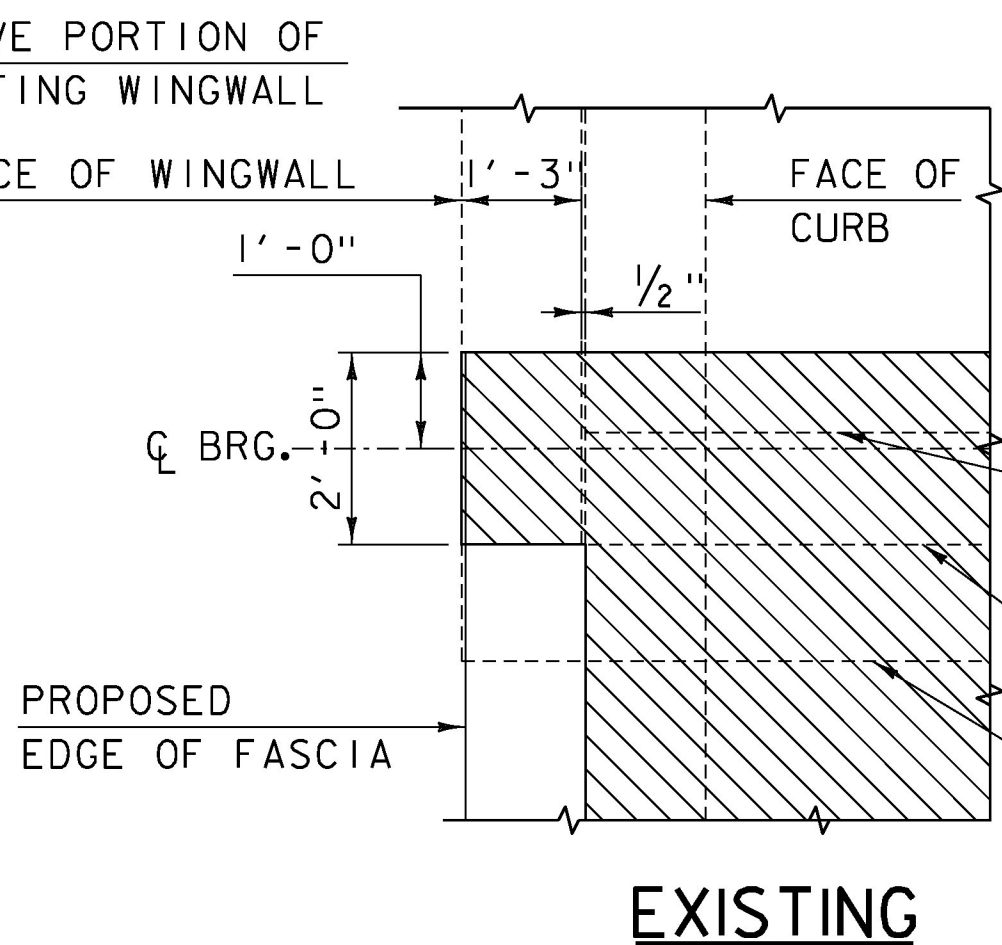


EXISTING

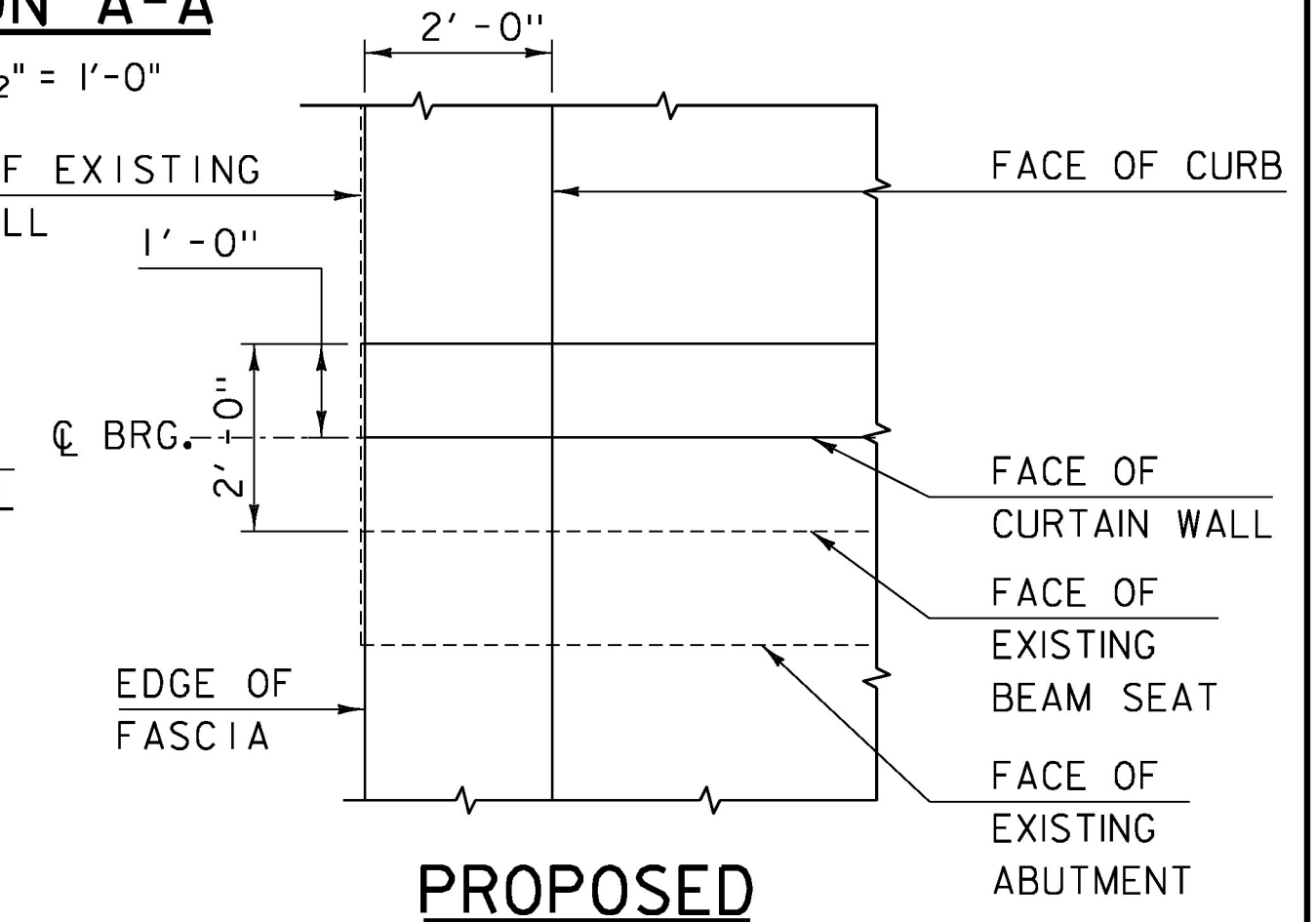


PROPOSED

SECTION A-A
SCALE: 1/2" = 1'-0"



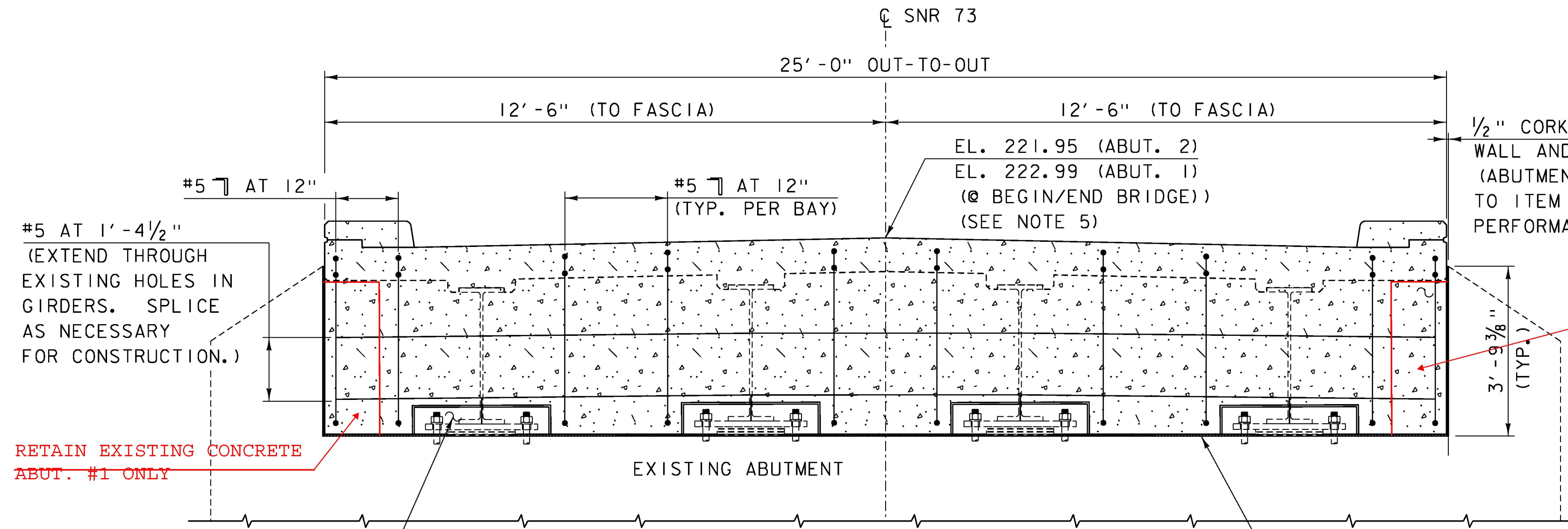
EXISTING



PROPOSED

SECTION B-B
SCALE: 1/2" = 1'-0"

Updated
26 July 2017



**ABUTMENT 1 CURTAIN WALL
MASONRY AND REINFORCEMENT ELEVATION**
(ABUTMENT 1 SHOWN, ABUTMENT 2 SIMILAR)
SCALE: 1/2" = 1'-0"

- PARTIAL REMOVAL OF EXISTING STRUCTURE (SEE PROJECT NOTE 20 ON SHEET 3)
- CONCRETE, HIGH PERFORMANCE CLASS A

NOTES:

1. 3" CLEAR, UNLESS OTHERWISE SPECIFIED ON THE PLANS.
2. 3'-1" BAR LAP UNLESS OTHERWISE SPECIFIED ON THE PLANS.
3. EF = EACH FACE
4. SEE SHEET 16 FOR TYPICAL CURTAIN WALL SECTION AND CURTAIN WALL BLOCKOUT AROUND BEARINGS DETAILS.
5. ELEVATIONS ARE FOR INFORMATIONAL PURPOSES ONLY. FINAL FINISHED GRADES SHALL BE DETERMINED BY VTRANS AFTER EXISTING TOP OF BEAM ELEVATIONS ARE SURVEYED. SEE PROJECT NOTE 23 ON SHEET 3.

PROJECT NAME:	ORWELL
PROJECT NUMBER:	STP DECK(4I)
FILE NAME:	z15j108typ-4.dgn
DESIGNED BY:	S. BEAUMONT
CHECKED BY:	J. FRENCH
PROJECT LEADER:	J. BYATT
DRAWN BY:	M. SMITH
PLOT DATE:	7/26/2017
REMOVAL & CURTAIN WALL DETAILS SHEET 1	SHEET 15 OF 27

CLD 15-0223 MODEL: TYP06

