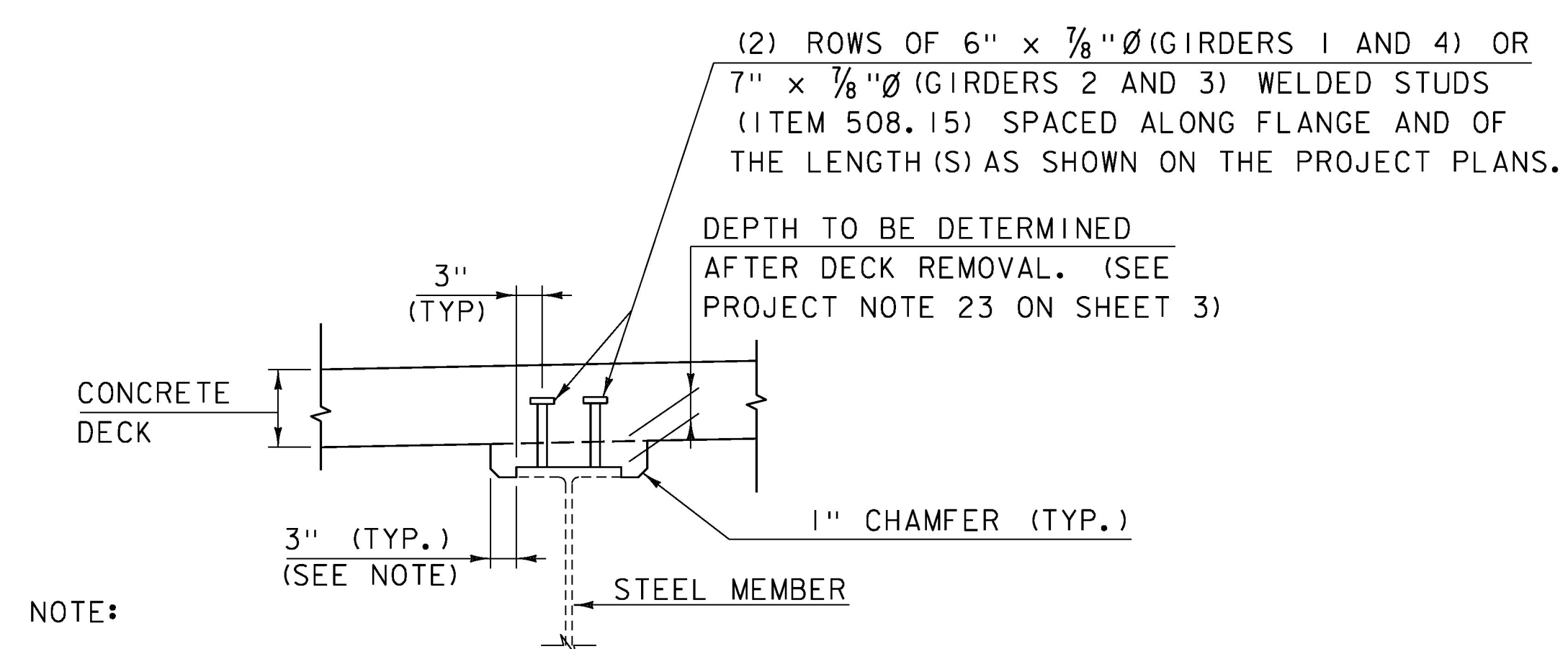


SHEAR CONNECTOR LAYOUT

HORIZONTAL SCALE: 1/4" = 1'-0"
 VERTICAL SCALE: 1" = 1'-0"



NOTE:

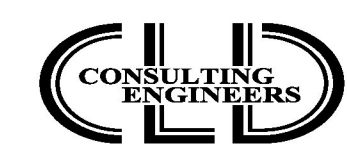
THE 3" HORIZONTAL SECTION MAY BE ELIMINATED FOR FORMING SYSTEMS DESIGNED FOR THE CONSTRUCTION OF VERTICAL HAUNCHES. ANY VOIDS RESULTING FROM FORMING SYSTEM ELEMENTS SHALL BE FILLED WITH JOINT SEALER, POLYURETHANE MEETING THE REQUIREMENTS OF SECTION 524. THE COST OF THE JOINT SEALER, POLYURETHANE WILL BE CONSIDERED INCIDENTAL TO THE ADJACENT CONCRETE ITEM.

HAUNCH AND SHEAR CONNECTOR DETAIL

SCALE: 3/4" = 1'-0"

Updated
 26 July 2017

PROJECT NAME: ORWELL	PLOT DATE: 7/28/2017
PROJECT NUMBER: STP DECK(41)	DRAWN BY: M. SMITH
FILE NAME: z15j108+yp-4.dgn	DESIGNED BY: N. CARON
SHEAR CONNECTOR DETAILS SHEET	CHECKED BY: S. BEAUMONT
	SHEET 13 OF 27



CLD 15-0223 MODEL: TYP04