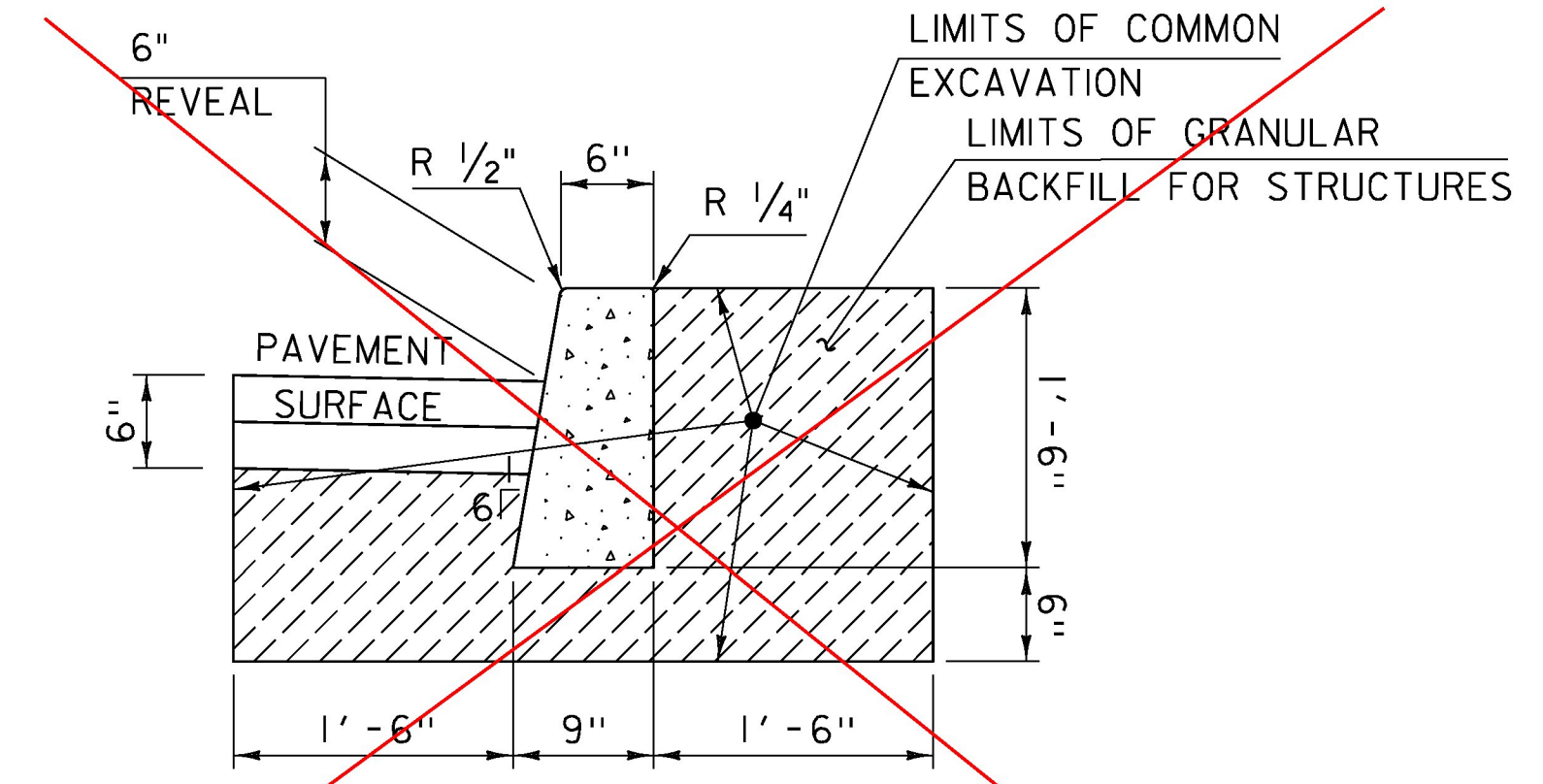
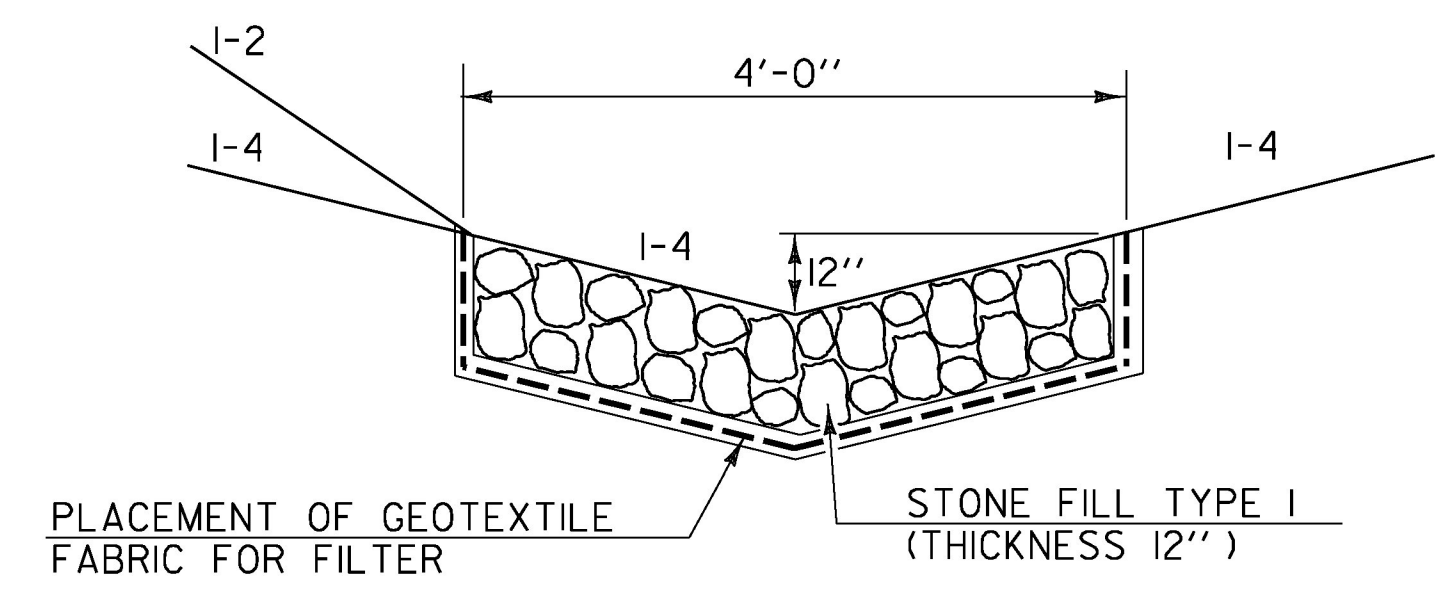


MATERIAL TRANSITION DIAGRAM
NOT TO SCALE



TYPICAL CAST-IN-PLACE CONCRETE CURB, TYPE B EARTHWORKS DETAIL

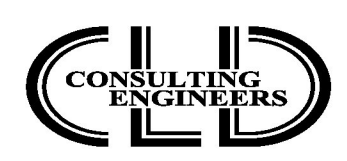
SEE CHANGE OF DESIGN #1: CAST-IN-PLACE CHANGED TO GRANITE; HOWEVER, CAST-IN-PLACE GEOMETRY SHALL BE RETAINED FOR GRANITE
SEE ALSO, STANDARD C-10



TYPICAL STONE FILL DITCH

Updated
26 July 2017

CLD 15-0223 MODEL: TYP03



PROJECT NAME: ORWELL	PLOT DATE: 7/26/2017
PROJECT NUMBER: STP DECK(4I)	DRAWN BY: J. FOWLER
FILE NAME: z15j108typ-4.dgn	DESIGNED BY: L. GREER
PROJECT LEADER: J. BYATT	CHECKED BY: J. FRYER
MATERIAL TRANSITION DIAGRAM	SHEET 6 OF 27