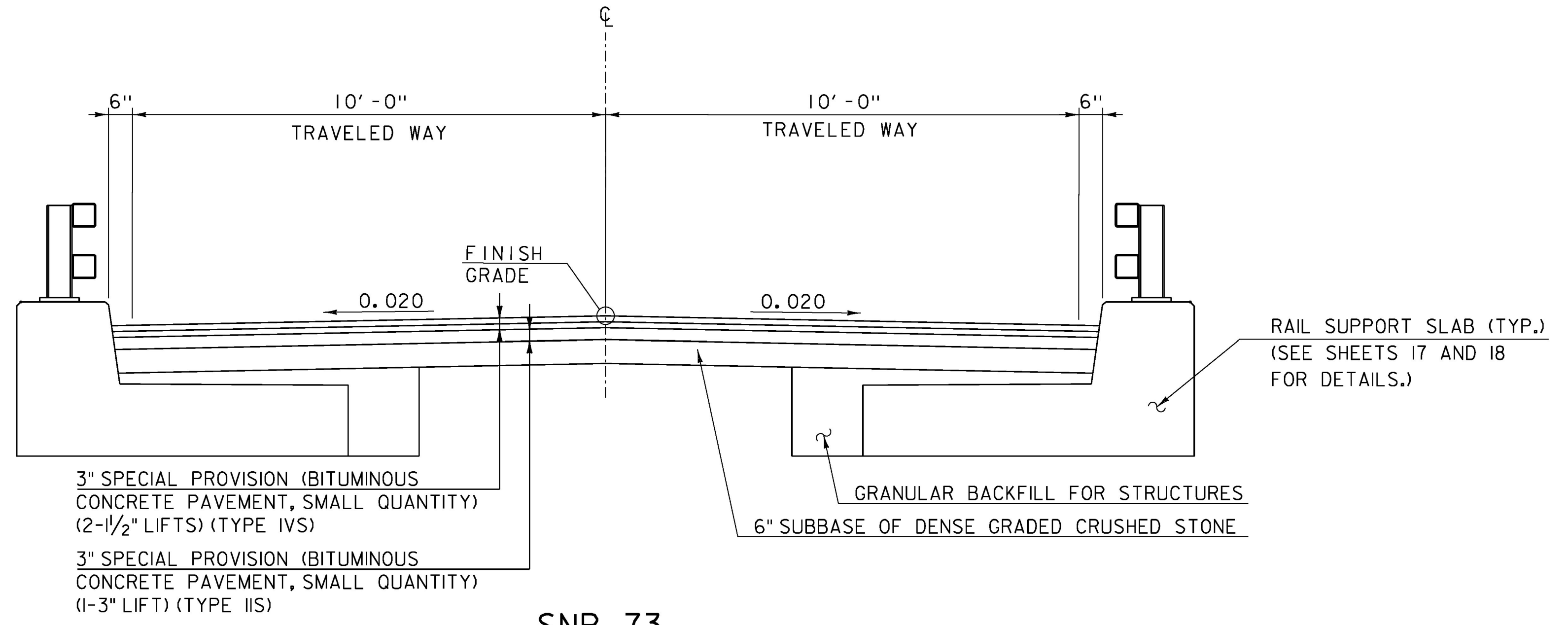
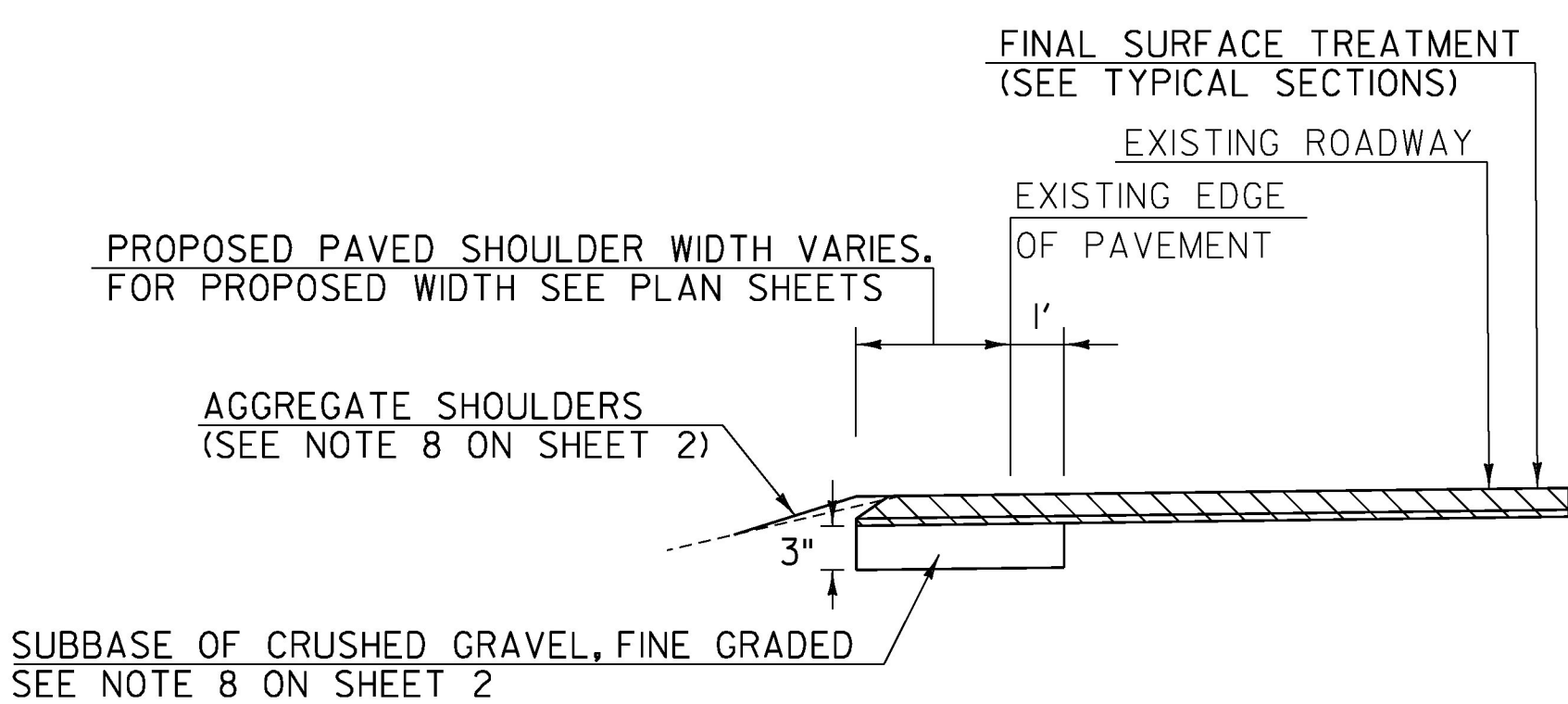


3" SPECIAL PROVISION (BITUMINOUS CONCRETE PAVEMENT, SMALL QUANTITY) (2-1/2" LIFTS) (TYPE IVS)
 3" SPECIAL PROVISION (BITUMINOUS CONCRETE PAVEMENT, SMALL QUANTITY) (1-3" LIFT) (TYPE IIS)

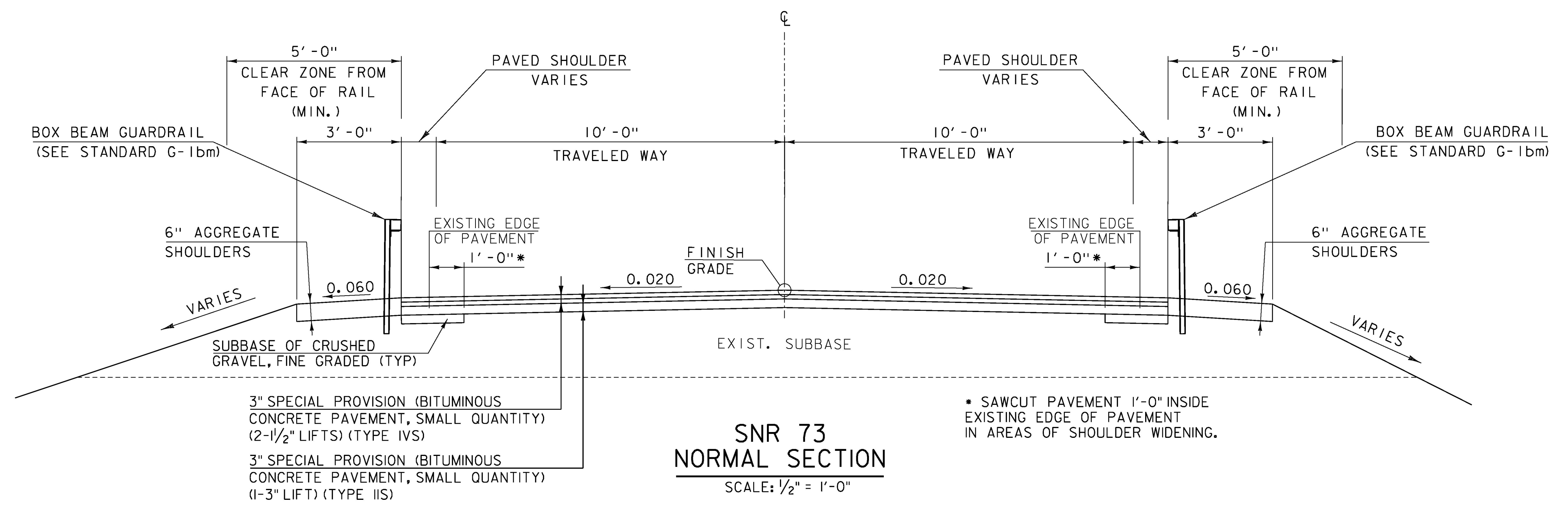


**SNR 73
 NORMAL SECTION W/SUPPORT SLAB**
 SCALE: 1/2" = 1'-0"



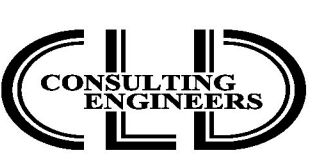
TYPICAL SHOULDER WIDENING
 NOT TO SCALE

3" SPECIAL PROVISION (BITUMINOUS CONCRETE PAVEMENT, SMALL QUANTITY) (2-1/2" LIFTS) (TYPE IVS)
 3" SPECIAL PROVISION (BITUMINOUS CONCRETE PAVEMENT, SMALL QUANTITY) (1-3" LIFT) (TYPE IIS)
 3" SUBBASE OF CRUSHED GRAVEL, FINE GRADED



**SNR 73
 NORMAL SECTION**
 SCALE: 1/2" = 1'-0"

MATERIAL TOLERANCES	
SURFACE	
- PAVEMENT (TOTAL THICKNESS)	+/- 1/4"
- AGGREGATE SURFACE COURSE	+/- 1/2"
SUBBASE	+/- 1"



PROJECT NAME: ORWELL	PLOT DATE: 10/4/2016
PROJECT NUMBER: STP DECK(4I)	DRAWN BY: J. FOWLER
FILE NAME: z15j108typ-4.dgn	CHECKED BY: J. FRYER
DESIGNED BY: L. GREER	SHEET 5 OF 27
TYPICAL ROADWAY SECTIONS SHEET	

CLD 15-0223 MODEL: TYP02