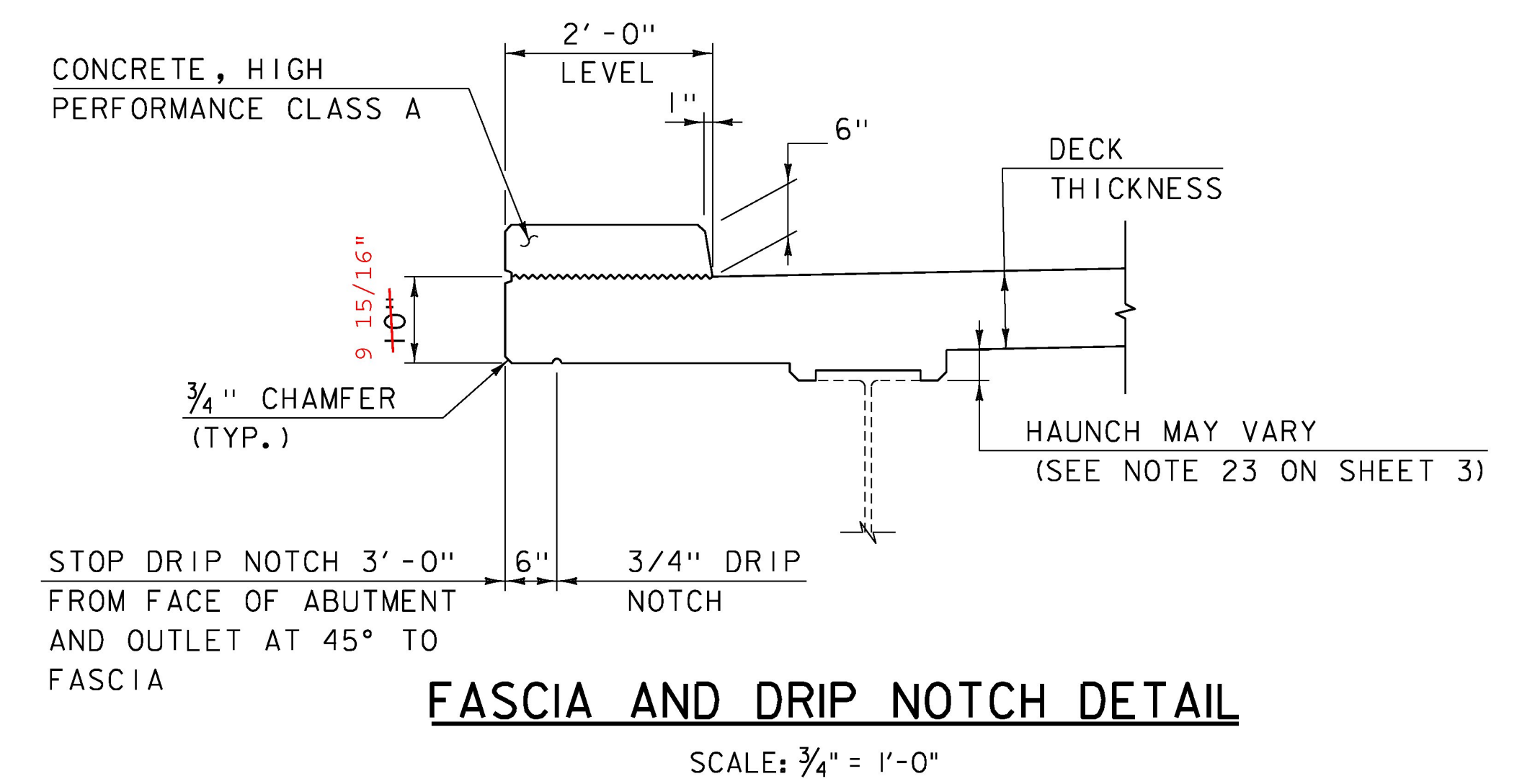


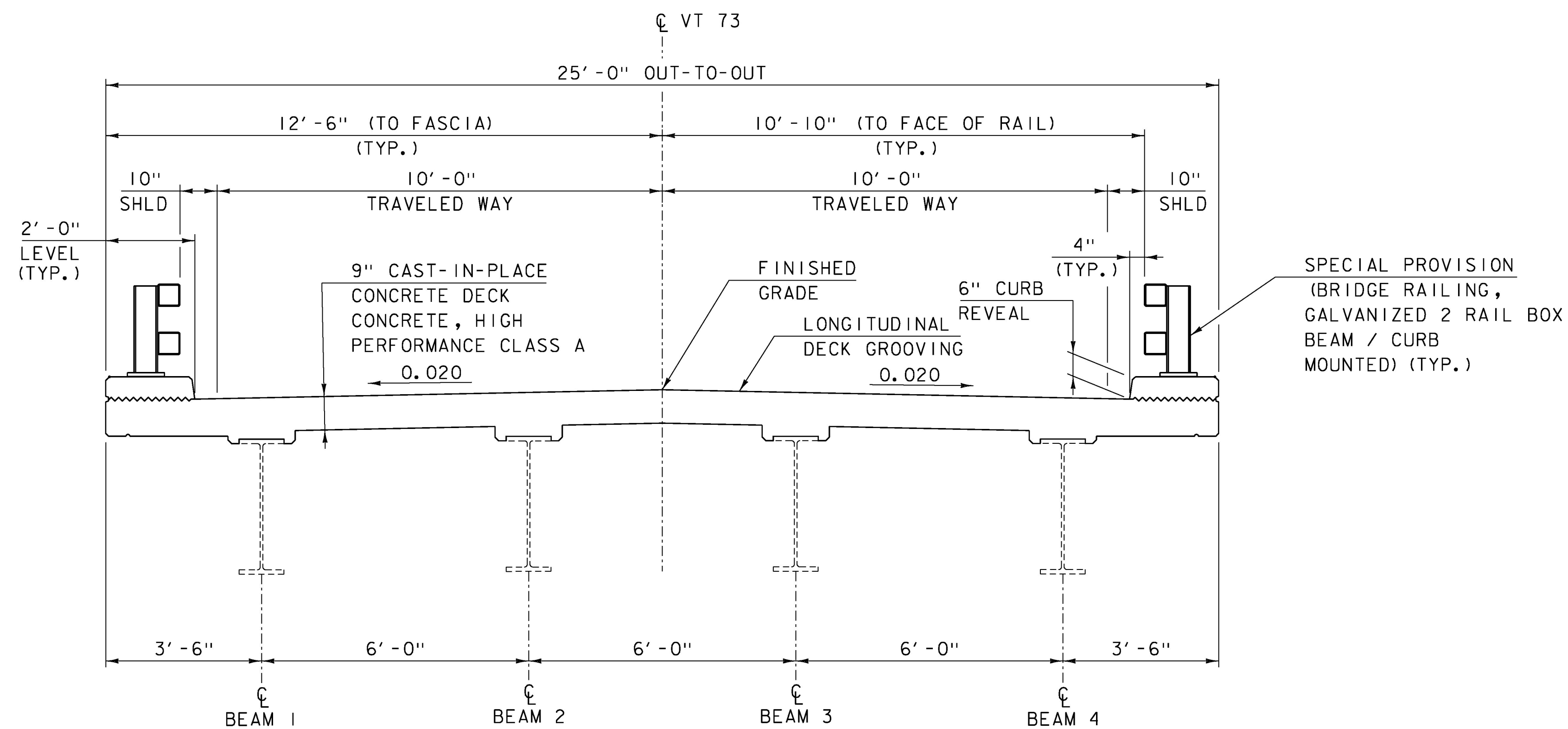
EXISTING TYPICAL BRIDGE SECTION

SCALE: 1/2" = 1'-0"



FASCIA AND DRIP NOTCH DETAIL

SCALE: 3/4" = 1'-0"



TYPICAL BRIDGE SECTION

SCALE: 1/2" = 1'-0"

CLD 15-0223 MODEL: TYP01

PROJECT NAME: ORWELL
PROJECT NUMBER: STP DECK(4I)

FILE NAME: z15j108+yp-4.dgn
PROJECT LEADER: J. BYATT
DESIGNED BY: N. CARON
TYPICAL BRIDGE SECTIONS SHEET

PLOT DATE: 8/22/2016
DRAWN BY: M. SMITH
CHECKED BY: S. BEAUMONT
SHEET 4 OF 27

